

LifeSaver™ Anti-Ligature Life Safety Lock Series



Select Healthcare References:

Connecticut Mental Health Center - New Haven, CT
College Hospital - Cerritos, CA
John Peter Smith Hospital - Fort Worth, TX
Glendale Adventist Medical - Center Glendale, CA
Rusk State Hospital - Rusk, TX
Houston Behavioral Healthcare - Center Houston, TX
Coney Island Hospital - Brooklyn, NY
Jacobi Medical Center - Bronx, NY
Bellevue Hospital Center - New York, NY
Woodhull Medical and Mental Health Center - Brooklyn, NY
Dallas Behavioral Healthcare Hospital - DeSoto, TX
Allegiance Specialty Hospital - Kilgore, TX
Elmhurst Hospital Center - Elmhurst, NY
Kindred Hospital New Orleans - New Orleans, LA
North Central Bronx Hospital - Bronx, NY
Bournewood Hospital - Chestnut Hill, MA
St. Josephs Healthcare London - London, ON, CA
St. Josephs Healthcare Hamilton - Hamilton, ON, CA
Santa Clara Valley Medical Center - Santa Clara, CA
St. Thomas Elgin General Hospital - St. Thomas, ON, CA
Waypoint Centre for Mental Healthcare - Penetanguishene, ON, CA



MARKSUSA



Series SS19 Institutional Life Safety Mortise Locksets - Levers

Standard Features

Performance Specifications:

Life Test: 1,500,000 cycles minimum.

ANSI Test: Meets or exceeds all operational and security tests of ANSI specifications A156.13-2005 for series 5000, Grade 1.

Trim Specifications:

Exterior & Interior Trim:

- Solid stainless steel interior and exterior tapered knobs or levers recessed into thru-bolted roses.
- Safety knobs with recessed grip and finger indents (*Patent #D587556*).
- Safety lever for handicapped access on clutch operated Mortise lock.
- Ergonomically designed grooved turn knob for deadbolt functions.

Cylinder: Solid stainless steel cylinders with solid stainless steel security collars; Optional HI-SECURITY™ cylinders available

Strike: 4-7/8" curved lip stainless steel w/tamperproof screws

Door Thickness: 1-3/4" standard; Extended range available

Door Prep: ANSI A115.1 lock face cutout, with 2-1/8" through hole for knob/rose assembly

Lock Specifications: 5 Series (2-3/4" Backset) 55 Series (2-1/2" Backset)

Lock Front: Adjustable bevel steel backplate 1-1/4" x 8" x 7/64" thick, Cover plate 1/16" thick with tamper proof screws

Latch: Solid stainless steel with antifriction latch lever, 3/4" throw (reversible)

Levers: Solid cast stainless steel. **Levers Rotate up & down freely in locked or unlocked position**

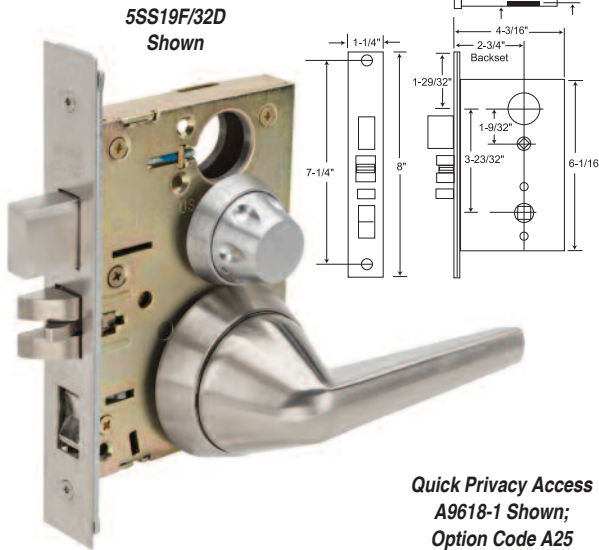
Aux. Deadlatch: 1/2" throw, (reversible)

Case: Stamped steel 3/32" thick, zinc dichromate finish

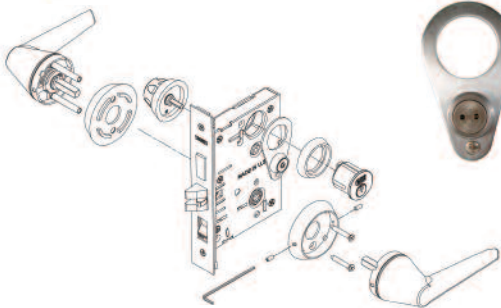
Hubs: Steel, 9/32" on diamond, 5/16" on square w/security separator

Hub Lock Arm: (to lock hub) Steel 1/8" thick

Spindles: Independent spring-loaded spindles



**Quick Privacy Access
A9618-1 Shown;
Option Code A25**



MARKS #	FUNCTION	ANSI #	SERIES 5 & 55 SS19
COMM. CYL.			FINISH GROUPS
KEYED SINGLE CYLINDER, NO DEADBOLT			
D	OFFICE VEST.		
DW	VESTIBULE		
E	OFFICE	F04	
EW	STOREROOM	F07	
J	CLASSROOM	F05	
JM, JR	HOSPITAL	F06	
GL	INSTITUTIONAL PRIVACY	F26	
EL	ELECTRICALLY LOCKED		
EU	ELECTRICALLY UNLOCKED		
KEYED SINGLE CYLINDER, WITH DEADBOLT			
A	ENTRANCE	F08, F10	
B	ENTRANCE	F21	
F	DORMITORY	F12	
FS	DORMITORY		
FW	DORMITORY	F13	
FD	APARTMENT	F20	
H	HOTEL	F15	
LH	SPECIAL PRIVACY		
KEYED DOUBLE CYLINDER, NO DEADBOLT			
G	APARTMENT	F09	32D
GC	INTRUDER LATCHBOLT	F32	
GG	CLASSROOM SECURITY		
GR	CLASSROOM SECURITY w/HOLDBACK		
WW	INSTITUTIONAL	F30	
KEYED DOUBLE CYLINDER, WITH DEADBOLT			
AC	ENTRANCE	F35	
C	STOREROOM	F14	
FC	INTRUDER DEADBOLT	F34	
FA	DORMITORY	F11	
FX	DORMITORY	F33	
KEYLESS			
N	PASSAGE	F01	
L	BATHROOM	F02	
LF	PRIVACY	F19	
LJ	PRIVACY	F22	
EX	EXIT	F31	
DUMMY TRIM			
DI	DUMMY TRIM INSIDE		
DO	DUMMY TRIM OUTSIDE		
DT	FULLY DUMMY		

* Standard & HI-SECURITY™ IC Core Models:

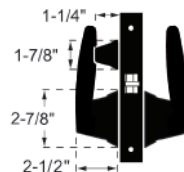
Interchangeable Core models for 6 or 7 pin cores (not included). **Accepts:** Marks, Marks HI-SECURITY™, Medeco®, KeyMark™, Falcon, Schlage® small format & Best®

IC Core Tailpieces ARE Included. WHEN ORDERING IC CORE CYLINDER, ADD THE PREFIX "R" TO THE PART NUMBER ie: 5SS55RA/32D



Function "LJ" F22:

ANSI F22 Latch by lever either side except when outside lever is locked by inside turnpiece. Turning inside lever or closing door unlocks outside lever. To unlock from outside, remove emergency button, insert emergency key in access hole and turn. Optional coin key assembly available.



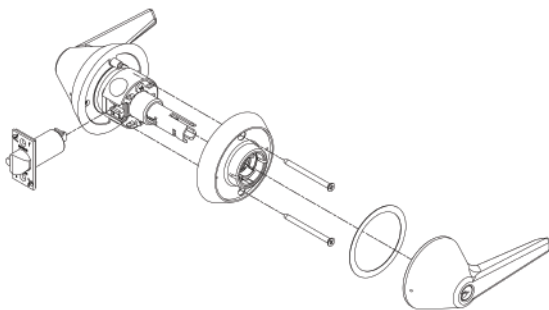
Series SS19 Institutional Life Safety Cylindrical Locksets - Levers

MARKS #		DESCRIPTION	ANSI #	FINISH GROUPS
COMM. CYL.	IC CORE CYL.*			
N	—	PASSAGE	F75	32D
L	—	PRIVACY	F76	
LK	—	PRIVACY	F76 MOD.	
P	—	PATIO	F77	
DC	RDC	COMMUNICATING	F80	
A	RA	ENTRY	F81	
B	RB	ENTRY	F82A	
AB	RAB	ENTRANCE	F109	
AQ	—	EXIT	F83	
S	RS	CLASSROOM	F84	
F	RF	STOREROOM	F86	
DW	RDW	INSTITUTION	F87	
DA	RDA	VESTIBULE	F88	
FQ	—	EXIT	F89	
T	RT	CORRIDOR	F90	
TK	RTK	HOSPITAL/PRIV.	F90 MOD.	
GB	RGB	STORE DOOR	F91	
BS	RBS	SVC. STATION LOCK	F92	
H	—	HOTEL	F93	
DB	RDB	CLASSROOM INTRUDER	F110	
DO	—	DUMMY TRIM OUTSIDE	—	
DT	—	FULL DUMMY TRIM	—	
NB	—	COMM. PASSAGE	F111	
FB	RFB	COMM. STOREROOM	F112	
SB	RSB	COMM. CLASSROOM	F113	
FEL	RFEL	ELECTRICALLY LOCKED	—	
FEU	RFEU	ELECTRICALLY UNLOCKED	—	

PACKED 6 PER CASE



195SSF/32D
Shown

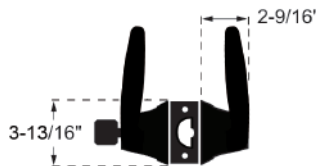


Standard Features

- ANSI-A156.2 Grade 1, UL listed 3 Hr. Fire Rating
- Backset: 2-3/4" Standard, 2-3/8", 3-3/4", 5" Available
- Latch #1834, stainless steel nose
- **Levers: Solid cast stainless steel. Levers Rotate up & down freely in locked or unlocked position**
- Levers recessed into solid stainless steel roses eliminating any open gap
- Roses: Thru-bolted, spring loaded, #10 thru-bolts
- Strike: #1135, 4-7/8" ASA curved lip strike
- Door thickness: 1-3/4" +/- 1/16"
- Cylinder: MARKS "C" keyway, 6 pin w/ 2 keys
- Stainless steel retractor

*Standard & HI-SECURITY™ IC Core Models:

Interchangeable Core models for 6 or 7 pin cores (not included). **Accepts:** Marks, Marks HI-SECURITY™, Medeco®, KeyMark™, Falcon, Schlage® small format & Best®
IC Core Tailpieces ARE Included. WHEN ORDERING IC CORE CYLINDER, ADD THE PREFIX "R" TO THE PART NUMBER ie: 5SS55RA/32D



Series SS55 Institutional Life Safety Cylindrical Locksets, Deadlatch Locksets & Mortise Deadlocks - Knobs

Cylindrical Locksets - Standard Features

Performance Specifications

Life Test: 1,500,000 cycles minimum.

Trim Specifications

Exterior & Interior Trim:

- Solid stainless steel interior and exterior tapered knobs recessed into thru-bolted roses
- Specially designed finger indented safety knobs with recessed grip and ergonomically designed integral grooved turn knob for elderly and handicapped access (*Patent D#587556*).
- Needle bearings ensure smoothness of operation

1SS55K Cylindrical Deadlatch Lockset: ANSI E0121 Cylinder x Knob

Latch by knob inside, key outside.

Strike: #1136, 2-3/4" "T" strike; #1135 4-7/8" ASA strike optional

Door Prep: ANSI 115.2

Latch: ANSI 156.2, Grade 1, 3 Hour fire rated

Door Thickness: 1-3/4"

Backset: 2-3/4" Backset; 3-3/4" and 5" backsets also available

Latch Face: 1-1/8" x 2-1/4" with tamper proof screws

Cylinder: Solid brass cylinder, 6-pin, "C" keyway;
Optional HI-SECURITY™ cylinders available

1SS55N Cylindrical Lockset: ANSI F75 Passage

Latch by knob either side, always open.

Strike: #1136, 2-3/4" "T" strike

Door Prep: ANSI 115.2

Latch: ANSI 156.2, Grade 1, 3 Hour fire rated

Backset: 2-3/4" backset standard, 2-3/8" backset optional;
3-3/4" and 5" backsets also available

Latch Face: 1-1/8" x 2-1/4" with tamper proof screws

Latch Throw: 9/16"

★ Standard & HI-SECURITY™ IC Core Models:

Interchangeable Core models for 6 or 7 pin cores (not included). **Accepts:** Marks, Marks HI-SECURITY™, Medeco®, KeyMark™, Falcon, Schlage® small format & Best®. **IC Core Tailpieces ARE Included.** WHEN ORDERING IC CORE CYLINDER, ADD THE PREFIX "R" TO THE PART NUMBER ie: **1SS55RK/32D**



Mortise Deadlock - Standard Features

ANSI Test: Meets or exceeds all ANSI / BHMA A156.5 test specifications

Trim Specifications

Interior Trim:

Solid stainless steel interior trim including finger indented safety knobs which recess into solid brass through-bolted roses.

Series 31 Deadlock Specifications ANSI E06071 Cylinder X Turnpiece

Deadbolt by outside key. Interior safety knob will retract but not project deadbolt.

Backset: 2-3/4"

Strike: #4035 1-1/8" x 3-1/8" standard, #3135 4-7/8" x 1-1/4" optional

Bolt Throw: 1" Stainless steel with hardened roll pins

Case: Stamped steel

Front: 1-1/16" x 4-5/8" adjustable bevel

Cylinder: Solid brass cylinder, 6-pin, "C" keyway.

Optional HI-SECURITY™ cylinders available.

★ Standard & HI-SECURITY™ IC Core Models:

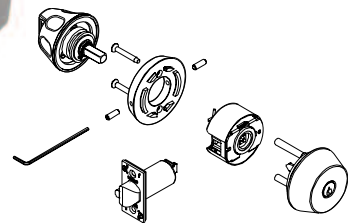
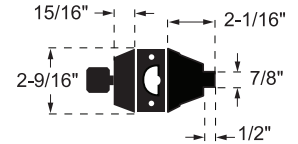
Interchangeable Core models for 6 or 7 pin cores (not included). **Accepts:** Marks, Marks HI-SECURITY™, Medeco®, KeyMark™, Falcon, Schlage® small format & Best®. **IC Core Tailpieces ARE Included.** WHEN ORDERING IC CORE CYLINDER, ADD THE PREFIX "R" TO THE PART NUMBER ie: **31SS55RK/32D**



MARKS #		FUNCTION	ANSI #	SERIES 1SS55
COMM. CYLINDER	IC CORE CYLINDER			
KEYED SINGLE CYLINDER, WITH DEADBOLT				FINISH GROUPS
K	RK	CYLINDER x KNOB	E0121	32D
KEYLESS				
N	—	PASSAGE	F75	

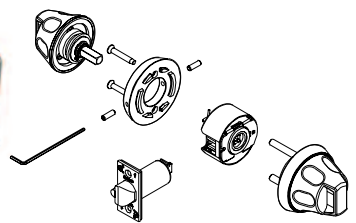
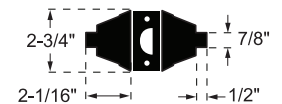
1SS55K Cylindrical Deadlatch Lockset

1SS55K/32D
Shown



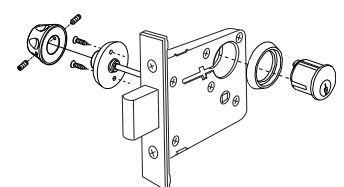
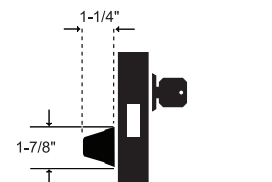
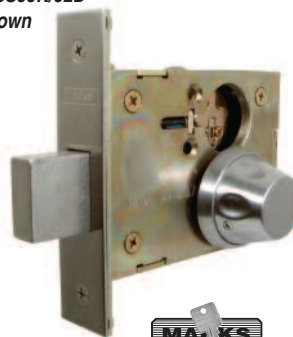
1SS55N Cylindrical Lockset

1SS55N/32D
Shown



MARKS #		FUNCTION	ANSI #	SERIES 31SS55
COMM. CYLINDER	IC CORE CYLINDER			
KEYED SINGLE CYLINDER, WITH DEADBOLT				FINISH GROUPS
K	RK	CYLINDER x KNOB	E06071	32D
S	RS	CLASSROOM	E06091	

31SS55K/32D
Shown



LifeSaver™

Series SS55 Institutional Life Safety Mortise Locksets - Knobs

Standard Features

Performance Specifications:

Life Test: 1,500,000 cycles minimum.

ANSI Test: Meets or exceeds all operational and security tests of ANSI specifications A156.13-2005 for series 5000, Grade 1.

Trim Specifications:

Exterior & Interior Trim:

- Solid stainless steel interior and exterior tapered knobs or levers recessed into thru-bolting roses.
- Safety knobs with recessed grip and finger indents (*Patent #D587556*).
- Safety lever for handicapped access on clutch operated Mortise lock.
- Ergonomically designed grooved turn knob for deadbolt functions.

Cylinder: Solid stainless steel cylinders with solid stainless steel security collars; Optional HI-SECURITY™ cylinders available

Strike: 4-7/8" curved lip stainless steel w/tamperproof screws

Door Thickness: 1-3/4" standard; Extended range available

Door Prep: ANSI A115.1 lock face cutout, with 2-1/8" through hole for knob/rose assembly

Lock Specifications: 5 Series (2-3/4" Backset) 55 Series (2-1/2" Backset)

Lock Front: Adjustable bevel steel backplate 1-1/4" x 8" x 7/64" thick, Cover plate 1/16" thick with tamper proof screws

Latch: Solid stainless steel with antifriction latch lever, 3/4" throw (reversible)

Levers: Solid cast stainless steel. **Levers Rotate up & down freely in locked or unlocked position**

Aux. Deadlatch: 1/2" throw, (reversible)

Case: Stamped steel 3/32" thick, zinc dichromate finish

Hubs: Steel, 9/32" on diamond, 5/16" on square w/security separator

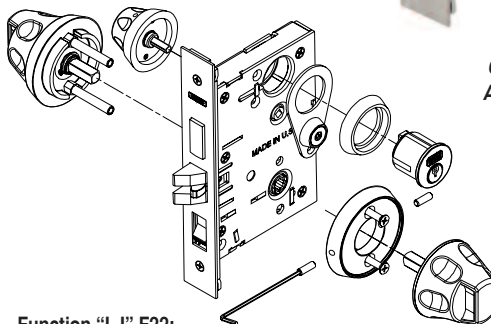
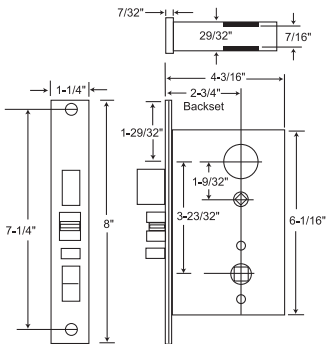
Hub Lock Arm: (to lock hub) Steel 1/8" thick

Spindles: Independent spring-loaded spindles

MARKS #	FUNCTION	ANSI #	SERIES 5 & 55 SS55	
COMM. CYL.			FINISH GROUPS	
KEYED SINGLE CYLINDER, NO DEADBOLT				
D	OFFICE VEST.			
DW	VESTIBULE			
E	OFFICE	F04		
EW	STOREROOM	F07		
J	CLASSROOM	F05		
JM, JR	HOSPITAL	F06		
GL	INSTITUTIONAL PRIVACY	F26		
EL	ELECTRICALLY LOCKED			
EU	ELECTRICALLY UNLOCKED			
KEYED SINGLE CYLINDER, WITH DEADBOLT				
A	ENTRANCE	F08, F10		
B	ENTRANCE	F21		
F	DORMITORY	F12		
FS	DORMITORY			
FW	DORMITORY	F13		
FD	APARTMENT	F20		
H	HOTEL	F15		
LH	SPECIAL PRIVACY			
KEYED DOUBLE CYLINDER, NO DEADBOLT				
G	APARTMENT	F09	32D	
GC	INTRUDER LATCHBOLT	F32		
GG	CLASSROOM SECURITY			
GR	CLASSROOM SECURITY w/HOLDBACK			
WW	INSTITUTIONAL	F30		
KEYED DOUBLE CYLINDER, WITH DEADBOLT				
AC	ENTRANCE	F35		
C	STOREROOM	F14		
FC	INTRUDER DEADBOLT	F34		
FA	DORMITORY	F11		
FX	DORMITORY	F33		
KEYLESS				
N	PASSAGE	F01		
L	BATHROOM	F02		
LF	PRIVACY	F19		
LJ	PRIVACY	F22		
EX	EXIT	F31		
DUMMY TRIM				
DI	DUMMY TRIM INSIDE			
DO	DUMMY TRIM OUTSIDE			
DT	FULLY DUMMY			



5SS55N/32D
Shown



Quick Privacy Access
A9618-1 Shown Below;
Option Code A25

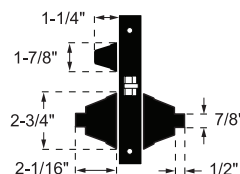


Function "LJ" F22:

ANSI F22 Latch by knob either side except when outside knob is locked by inside turnpiece. Turning inside knob or closing door unlocks outside knob. To unlock from outside, remove emergency button, insert emergency key in access hole and turn. Optional coin key assembly available.

* Standard & HI-SECURITY™ IC Core Models:

Interchangeable Core models for 6 or 7 pin cores (not included). **Accepts:** Marks, Marks HI-SECURITY™, Medeco®, KeyMark™, Falcon, Schlage® small format & Best®
IC Core Tailpieces ARE Included. WHEN ORDERING IC CORE CYLINDER, ADD THE PREFIX "R" TO THE PART NUMBER ie: 5SS55RA/32D



Series PD Cylindrical & Mortise Hospital Push/Pull Paddlesets

Standard Features

Cylindrical - ANSI-A156.2 Grade 1:

- Backset: 2-3/4" standard, 2-3/8" and 5" optional
- Strike: #1136, 2-3/4" "T" strike; #1135 4-7/8" ASA strike optional

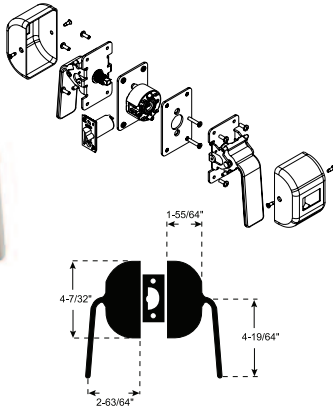
Mortise - ANSI-A156.13 Grade 1:

- Backset: 5 Series 2-3/4", 55 Series 2-1/2"
- Strike: #9035, 4-7/8" ASA curved lip strike

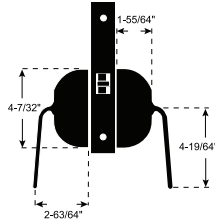
- Door Thickness: 1-3/4", self adjusting for thicker doors
- ANSI-A156.2, Grade 1
- Lead lining and engraving available
- ADA Compliant • Non-Handed
- Government standard #161

- Functional, modern design with variable mounting positions
- Short throw angle allows for easy push/pull action to open doors even when hands are not free
- Standard 32D finish, consult factory for available finishes
- Universal assemblies can be push/pull vertical up or down
- Easily reversible configuration for push or pull styles

1PDN/32D
Shown



5PDN/32D
Shown



MARKS #	FUNCTION	ANSI #	SERIES 1PD	
KEYLESS				
N	PASSAGE	F75	32D	
MARKS #				
FUNCTION				
ANSI #				
SERIES 5 & 55 PD				
KEYED SINGLE CYLINDER, NO DEADBOLT				
D	OFFICE VEST.		32D	
DW	VESTIBULE			
E	OFFICE	F04		
EW	STOREROOM	F07		
J	CLASSROOM	F05		
JM, JR	HOSPITAL	F06		
GL	INSTITUTIONAL PRIVACY	F26		
EL	ELECTRICALLY LOCKED			
EU	ELECTRICALLY UNLOCKED			
KEYED SINGLE CYLINDER, WITH DEADBOLT				
A	ENTRANCE	F08, F10		
B	ENTRANCE	F21		
F	DORMITORY	F12		
FS	DORMITORY			
FW	DORMITORY	F13		
FD	APARTMENT	F20		
H	HOTEL	F15		
LH	SPECIAL PRIVACY			
KEYED DOUBLE CYLINDER, NO DEADBOLT				
G	APARTMENT	F09		
GC	INTRUDER LATCHBOLT	F32		
GG	CLASSROOM SECURITY			
GR	CLASSROOM SECURITY w/HOLDBACK			
WW	INSTITUTIONAL	F30		
KEYED DOUBLE CYLINDER, WITH DEADBOLT				
AC	ENTRANCE	F35		
C	STOREROOM	F14		
FC	INTRUDER DEADBOLT	F34		
FA	DORMITORY	F11		
FX	DORMITORY	F33		
KEYLESS				
N	PASSAGE	F01		
L	BATHROOM	F02		
LF	PRIVACY	F19		
LJ	PRIVACY	F22		
EX	EXIT	F31		
DUMMY TRIM				
DI	DUMMY TRIM INSIDE			
DO	DUMMY TRIM OUTSIDE			
DT	FULLY DUMMY			

Common pin tumbler cylinders may be compromised by picking, drilling or key bumping. For applications where a greater security level is required, we suggest using drill/pick resistant cylinders with multiple pin planes such as those with sidebars. Marks USA HI-SECURITY™ Cylinders are constructed with sidebars and are drill, pick and bump resistant.

