



MARKSUSA

2023/2024

Price List

Mortise Locksets

**Cylindrical, Tubular & Electronic
Access Control Locksets**

Exit Devices



July 2023

MORTISE LOCKSET PRICE LIST • EFFECTIVE SEPTEMBER 2016

TABLE OF CONTENTS

| | |
|---|--------------|
| Required Information | 6 |
| Backset | 6 |
| Door Thickness | 6 |
| Handing | 6 |
| Mounts & Displays | 6 |
| Mortise Lock Trim Information | 7 |
| Leverset/Knobset Trim | 7 |
| How To Order Mortise Locksets & Handlesets | 8-10 |
| Plate Designs | 11-20 |
| Classic - CL | 11-12 |
| Capitol - CP | 13-14 |
| Crown - CR | 15-16 |
| Drake - DR | 17-18 |
| New Yorker - NY | 19-20 |
| Rose Designs | 21-22 |
| Rose with Ring - RR | 21-22 |
| Plain Rose - RW | 21-22 |
| Small Rose with Ring - RQ | 21-22 |
| Small Rose - RS | 21-22 |
| Square Rose - RX | 21-22 |
| Square Rose - RK | 21-22 |
| Square Rose - RL | 21-22 |
| Ornamental Iron | 23-24 |
| Series 21 Unilock™ | 23 |
| Series 22 | 23 |
| Series 9215 Unilock™ | 23 |
| Series 9225 | 23 |
| THINLINE® Series 2750 | 23 |
| Knob & Lever Kits | 24 |
| Accessories | 24 |
| Cylinders | 24 |

MORTISE LOCKSET PRICE LIST

| | |
|---|--------------|
| Mortise Parts & Trim | 25-36 |
| Mortise Lock Bodies Series 4 & 45 | 25 |
| Mortise Lock Bodies Series 5 & 55 | 25 |
| Mortise Lock Bodies Series 6 & 8 | 26 |
| Mortise Lock Bodies Series 7 & 9 | 27 |
| Mortise Deadlocks Series 31, 2, 3, 5 & 55 | 28 |
| Mortise Lockset Functions | 29-30 |
| Mortise Lock Parts: Knob/Lever Rose Kits | 31 |
| Mortise Lock Parts: Dummy Cylinder, Collars & Turnpieces, Strikes, Spindles | 32 |
| Mortise Lock Parts: Indicators | 33 |
| Trim Lock Parts: Plate/Rose Design | 34-35 |
| Trim Lock Parts: Knob/Lever Design | 36 |

CYLINDRICAL & TUBULAR LOCKSET PRICE LIST

| | |
|---|--------------|
| How To Order Cylindrical Locksets | 37 |
| How To Order Example For Cylindrical Locksets | 37 |
| 1. Series | 37 |
| 2. Cylindrical Functions | 37 |
| 3. Finishes | 37 |
| 4. Options | 37 |
| Cylindrical Locksets | 38-40 |
| 10 Line Grade 2 Cylindrical Knobsets | 38 |
| 95 Line Grade 1 Cylindrical Survivor Series Leversets | 39 |
| 75 Line Grade 2 Cylindrical Survivor Series Leversets | 40 |
| Cylindrical Lock Accessories | 41-42 |
| Latches, Strikes, Spacer Rings, Etc. | 41 |
| Cylinders, Cylindrical Lock Tailpieces, Cylindrical IC Core Tailpieces | 42 |
| How to order example for Cylindrical Lock Cylinders & Tailpieces | 42 |
| Cylindrical Knob/Lever Functions | 43 |
| How To Order Tubular Locksets | 44 |
| How To Order Example For Tubular Locksets | 44 |
| 1. Series | 44 |
| 2. Roses | 44 |
| 3. Knob/Lever | 44 |
| 4. Tubular Function | 44 |
| 5. Finishes | 44 |
| 6. Options | 44 |
| Tubular Knob & Lever Functions | 44 |
| Rose Designs | 45 |
| Rose with Ring - RR | 45 |
| Plain Rose - RW | 45 |
| Small Rose with Ring - RQ | 45 |
| Small Rose - RS | 45 |
| Square Rose - RX | 45 |
| Square Rose - RK | 45 |
| Square Rose - RL | 45 |
| Residential Interior Tubular Locksets | 46 |
| 150 Series American Lever (<i>tubular leversets for interior use</i>) | 46 |
| 250 Series Crescent Lever (<i>tubular leversets for interior use</i>) | 46 |
| 450 Series Titan Lever (<i>tubular leversets for interior use</i>) | 46 |
| Tubular Lockset Accessories | 47 |
| Strikes, Latches, Support Housing | 47 |
| Turnpieces | 47 |
| Latches & Cylindrical Cartridge | 47 |
| How To Order For Defender Locksets | 48 |
| How To Order Example For Defender Locksets | 48 |
| 1. Series | 48 |
| 2. Tubular Functions | 48 |
| 3. Finishes | 48 |
| Deadbolt/Deadlatch Functions | 48 |

CYLINDRICAL & TUBULAR LOCKSET PRICE LIST

| | |
|---|--------------|
| Defender Series Tubular Deadbolts & Cylindrical Cartridge Deadlatches | 49 |
| 130 Series Grade 1 Defender Tubular Deadbolts | 49 |
| 145 Series Grade 1 Defender Cylindrical Cartridge Deadlatches | 49 |
| Defender Series Accessories | 50 |
| Strikes, Latches & Spacers | 50 |
| Latches & Cylindrical Cartridge | 50 |
| Tailpieces & Cylinders | 50 |
| i-Qwik/i-Que Electronic Access Control Locksets | 51-53 |
| i-Qwik LITE ² Series Electronic Access Control & How To Order Example | 51 |
| i-Qwik Series Options | 52 |
| i-Qwik Series Accessories, Tailpieces & Cams | 53 |
| Request To EXit (REX) Leversets & Electrified Locksets | 54-55 |
| Request To EXit (REX) Cylindrical Grade 1 Leversets (EA195, EA295, EA395 & EA495) | 54 |
| How To Order Example For REX Leversets | 54 |
| 195, 295 & 495 Series Grade 1 Electrified Cylindrical Leversets | 55 |
| 5 Series Grade 1 Electrified Mortise Lockset | 55 |
| Gate Locks | 56 |
| Swinging Gate Locks | 56 |
| Sliding Gate Locks | 56 |
| Parts | 56 |
| Custom Lockset Division | 57-59 |
| Series HA113 Housing Authority Mortise Lockset | 57 |
| Series LA318GJ Maximum Security Mortise Lockset | 58 |
| Series BE101 & LA118 | 59 |
| Institutional Life Safety Mortise Locksets | 60-64 |
| Series 195BH D-Lig Slide Cylindrical Lockset | 60 |
| Series 5BH D-Lig Slide Mortise Lockset | 61 |
| Series 195SS Institutional Life Safety Cylindrical Lever Lockset | 62 |
| Series 5SS55 & 5SS19 Institutional Life Safety Mortise Knob & Lever Locksets | 63 |
| Series 180SS Institutional Life Safety Cylindrical Knobsets & Locksets | 64 |
| Series 31SS55 Institutional Life Safety Mortise Deadlock | 64 |
| Hospital Locksets | 65 |
| Series 180PD Cylindrical Push/Pull Paddlelocks | 65 |
| Series 5PD & 55PD Mortise Push/Pull Paddlelocks | 65 |
| Mortise Lock Cylinders, Parts & Cams | 66 |
| Cylinders, IC Core Cylinder Housings, Cylinder Cams | 66 |
| How To Order For Mortise Lock Cylinders | 66 |
| KEYS & KEYING | 67-72 |
| HI-SECURITY™ Cylinders | 67 |
| HI-SECURITY™ Cylinders: NON-UL | 68 |
| HI-SECURITY™ Cylinders: UL 437 | 69 |
| Security-Mate™ Cylinders, Special Application Cylinders | 69 |
| How To Order HI-SECURITY™ Cylinders and Keys | 70 |
| Keys, Cams & Tailpieces | 71 |
| Parts List | 72 |

PANIC DEVICES

| | |
|---|--------------|
| Exit Devices | 73-78 |
| Series M9900 Exit Device - Rim Mount | 73 |
| Series M9900 VR Exit Device - Surface Vertical Rod | 73 |
| Series M9900 Exterior Trim | 74 |
| Series M8800 Exit Device | 74 |
| Series M195 | 75 |
| Series M99 Night Latch Trim | 75 |
| Electric Latch Retraction with Simultaneous Dogging | 76 |
| Exit Alarm | 76 |
| Electric Dogging | 77 |
| Delayed Egress | 77 |
| M9900 LITE | 78 |

ArchiTech™ SERIES NETWORKX LOCKS

| | |
|--|--------------|
| ArchiTech™ Series Networkx Locks | 79-83 |
| ArchiTech Series Features and Specifications | 79 |
| ArchiTech Series Cylindrical Locksets | 80 |
| How to Order ArchiTech Cylindrical Locksets | 81 |
| ArchiTech Series Mortise Locksets | 81 |
| How to Order ArchiTech Mortise Locksets | 82 |
| ArchiTech Series Networkx Options | 83 |

Marks USA Antimicrobial Finish: Peace of mind for your hardware application when protected against GERMS and MOLD using Stericoat AM. Marks USA antimicrobial finish is recommended for hospitals, assisted living facilities, schools and childcare facilities. **Use Code - AM**

Lifetime Mechanical Limited Warranty: MARKS USA warrants that its products are free from defects in materials and workmanship. This warranty is limited to the lifetime of the door on which our lock is installed. In the event our product does not conform to this warranty, MARKS USA will repair or replace the product free of charge. This warranty does not cover defects or damage arising from improper installation, lack of or improper maintenance, improper storage, shipping and handling, ordinary wear and tear, misuse, abuse, accident, unauthorized service, or use with unauthorized non-MARKS products or parts. We reserve the right to make changes in materials, components or manufacturing methods. Liability under all warranties expressed or implied is limited to replacement of the defective goods. This warranty does not cover nor provide for the reimbursement or payment of incidental or consequential damages. Additionally, the company will not warrant ANSI A156.2 Grade 2 lever product installed in educational facilities and student housing. Trim not included in warranty.

2 Year Electronic Limited Warranty: MARKS USA warrants to the original purchaser that its products are free from defects in materials and workmanship so long as they occupy the premises.

In the event our product does not conform to this warranty, MARKS USA will repair or replace the product free of charge at its sole discretion. This warranty does not cover defects or damage arising from improper installation, lack of or improper maintenance, improper storage, shipping and handling, improper application or specification, ordinary wear and tear, misuse, abuse, accident, improper voltage, unauthorized service, or use with unauthorized non-MARKS products or parts. We reserve the right to make changes in materials, components or manufacturing methods. Liability under all warranties expressed or implied is limited to replacement of the defective goods. This warranty does not cover nor provide for the reimbursement or payment of incidental or consequential damages or any shipping charges related to exercising of this warranty.

Lifetime Finish Limited Warranty: MARKS USA Locksets with the "3E" finish will be warranted to the original user against tarnishing as long as the user occupies the residential premises upon which the lockset was originally installed. Locksets with this finish, used in commercial applications will be limited to two years. This warranty does not cover scratches, abrasion, abused or misused products. Upon return of a defective product to Marks USA, we will, at our sole discretion, either replace the product or refund the purchase price in exchange for the product.

Due to climatic conditions, chemical or abrasive actions, other finishes are excluded from this warranty. This warranty does not cover nor provide for the reimbursement or payment of incidental or consequential damages arising from the sale of the product.

TERMS & CONDITIONS:

TERMS: Net 30

FREIGHT: Prices are F.O.B. Amityville, New York. Freight allowed on shipments over \$7500 net invoice value within Continental U.S.

RETURNED GOODS: Goods may not be returned without a Returned Goods Authorization (RGA) and are subject to a restocking charge. RGA label must be on all cartons.

MINIMUM CHARGE: Orders for less than \$250 net invoice are subject to a \$25 handling charge.

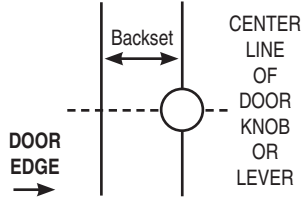
MINIMUM SALES VOLUME: The company reserves the right to discontinue direct sales to any customer who does not meet the minimum annual sales requirements during any 12 month period. Minimum annual sales volume is determined on the basis of accepted orders during each applicable year. All orders are acknowledged. It is the customers responsibility to check accuracy of the acknowledgment when received.

ArchiTech, Networkx, iLock, LocDown, LifeSaver and Hi-Security are trademarks of Marks USA, a division of NAPCO Security Technologies. All other trademarks listed are properties of their respective companies.

Effective January 2022. All prices published are suggested list prices in US Dollars. Some specifications are preliminary and subject to change without prior notice. Not responsible for typographical errors.

Marks USA is a Division of Napco Security Technologies, Inc. (NASDAQ:NSSC) © Marks USA, 12.21

BACKSET - Required Information



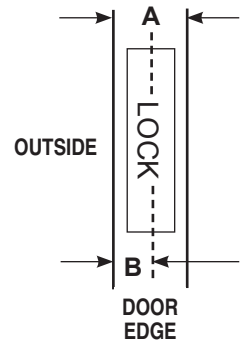
DOOR THICKNESS - Required Information

STANDARD DOOR THICKNESS RANGE:

- Mortise locksets: 1-3/4"
- Cylindrical locksets: 1-5/8" through 1-7/8"
- Ornamental locksets: 1" through 1-1/4"
- Tubular locksets: 1-3/8" through 1-3/4"
- Other door thickness: **Consult factory**

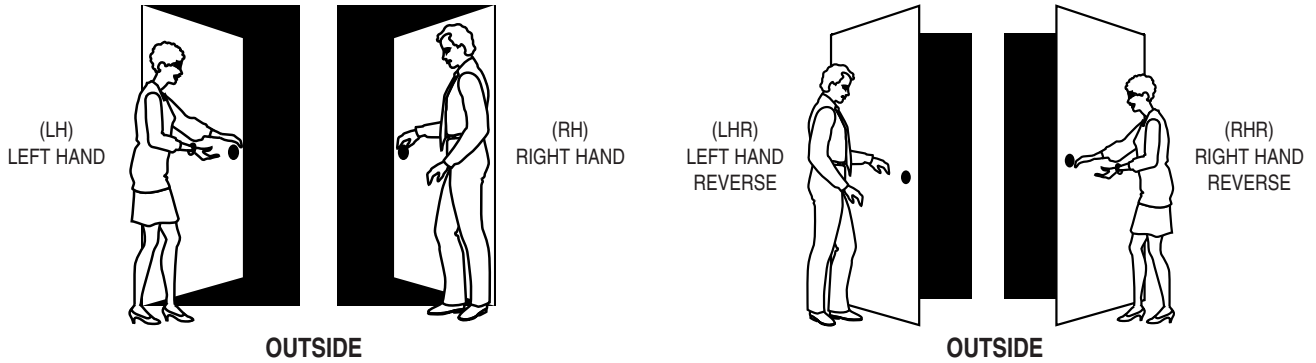
SPECIFY:

- Door thickness (A)
- Lock location (B)



HANDING - Required Information

All locksets supplied 1/2 (LH) and 1/2 (RH) unless otherwise specified

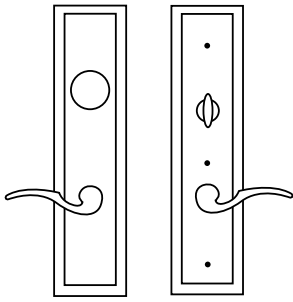


MOUNTS & DISPLAYS AVAILABLE, CONSULT FACTORY



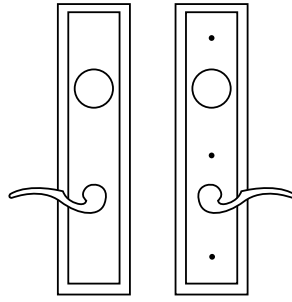
MORTISE LOCK TRIM INFORMATION

LEVERSET/KNOBSET TRIM



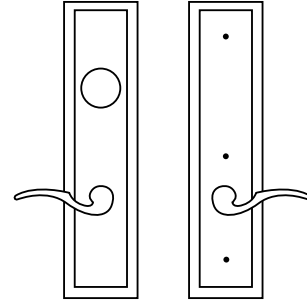
Outside Inside

ENTRANCE
Cylinder/Turnpiece



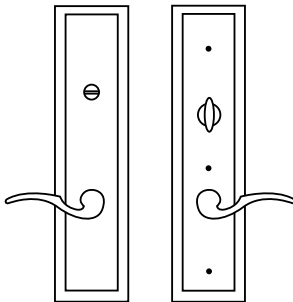
Outside Inside

ENTRANCE
Double Cylinder



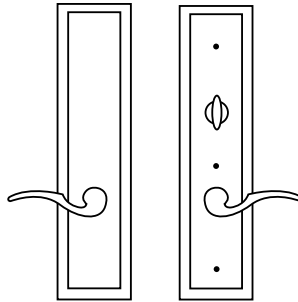
Outside Inside

OFFICE/CLASSROOM



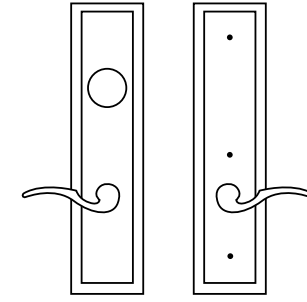
Outside Inside

PRIVACY



Outside Inside

EXTERIOR/PATIO



Outside Inside

DUMMY TRIM
Both sides

*Dummy cylinder optional (F17)

HOW TO ORDER MORTISE LOCKSETS & HANDLESETS

1. Select type of lockset.
2. See corresponding pages in the catalogs for information regarding this type of lock.
3. Create the part number for your lock by selecting the information from fields 1 through 6.
Please note dummy trim is Series "0".
4. Options must be listed in Alpha - Numeric order.
5. Note that if Part Number is over 15 characters, it becomes a special number with the option field *1.
(Your options will then be listed separately.)
Please note the standard (default) features of each lock - they do not need to be selected in the options section.
6. Please indicate keying detail or special instructions on each item ordered.
7. Door Templates are available on the website @ www.marksusa.com/support/templates

| | | | | | | | | |
|--|-------------------|-------------------------|-------------------------|----------------------|----------|--------------|----------|---------------|
| How To Order Example for Mortise Locksets | 7 | NY | 10 | A | / | 3 | — | G3 |
| | 1. Lock Series | 2. Plate/Rose Design | 3. Knob/Lever Design | 4. Marks Function | Slash | 5. Finish | Dash | 6. Options |

| | | | | | | | | |
|---|-------------------|-------------------------|-------------------------|----------------------|----------|--------------|----------|---------------|
| How To Order Example for Rose Design | 5 | RW | 92 | N | / | 10B | — | D1 |
| | 1. Lock Series | 2. Plate/Rose Design | 3. Knob/Lever Design | 4. Marks Function | Slash | 5. Finish | Dash | 6. Options |

| | | | | | | |
|---|--------------|----------------------|----------|--------------|----------|---------------|
| How To Order Example for Ornamental Iron | 9215 | AC | / | 15 | — | G3 |
| | 1. Series | 2. Marks Function | Slash | 3. Finish | Dash | 4. Options |

| | | | | | | |
|---|--------------|----------------------|----------|--------------|----------|---------------|
| How To Order Example for Mortise Lock Bodies | 55 | JM | / | 26D | — | T |
| | 1. Series | 2. Marks Function | Slash | 3. Finish | Dash | 4. Options |

How To ORDER MORTISE LOCKSETS & HANDLESETS

OPTION CODES & FINISHES

| TRIM MODIFICATIONS | CODE | PRICE | TYPE |
|--|------|-------|---------|
| Tactile knob/lever, coated ext. only | A1 | 65 | M, C, T |
| Emergency coinkey | A2 | 30 | M |
| Tamper-proof screws | A3 | 16 | M |
| Tactile knob/lever, knurled | A4 | 65 | M, C, T |
| Handicapped turnpiece | A5 | 20 | M |
| Hotel indicator | A6 | 47 | M |
| Pinned knob | A7 | 38 | M |
| Mushroom knob | A9 | 6 | M |
| No logo | A10 | NC | |
| Engraved | A11 | 77 | M |
| Concealed cylinder | A12 | 29 | M |
| Dummy trim sub-assembly | A13 | NC | M |
| Coinkey w/ rose | A15 | 76 | M |
| Occupancy Indicator non keyed | A17 | 98 | M |
| Tactile knob/lever, coated int. & ext. | A18 | 132 | M |
| Crescent Lever | A22 | NC | |
| Square trim | A23 | 32 | T |
| Square collar | A23C | 12 | T |
| Square turnpiece | A23T | 12 | T |
| Small emergency hole | A24 | NC | M |
| Recessed Pull (one side) | A28 | 77 | M,C |
| Exposed Rose Screws | A29 | NC | M,T |
| Engraved and Filled | A30 | 87 | M |
| Inside Knob on Lever | A31 | 38 | |
| No inside turnpiece | A32 | NC | M |
| Red/Green TD Occ ind no ckslot | A40 | 194 | M |
| A9618-Atascadero | A41 | 126 | M |
| Red/Green TD Occ ind no ckslot | A42 | 194 | M |
| SK200/32D Handed | A50 | 350 | M |
| SK200-CK/32D Handed w/Coin key | A51 | 350 | M |
| SK200-TP/32D Handed w/Turn Pc | A52 | 350 | M |
| SK210/32D Handed | A53 | 350 | M |
| SK200/32D Handed w/Coin key | A54 | 350 | M |
| SK200/32D Handed w/ Turn Pc | A55 | 400 | M |
| Phillip Head Screws Only | A56 | NC | M,C |

| CYLINDER | CODE | PRICE | TYPE |
|--|------|-----------|------|
| IC core housing - 7 Pin | G1 | NC | M |
| Special optional keyway | G2 | 40 | M,C |
| Less cylinder | G3 | Deduct 17 | M,C |
| MARKS "A" keyway | G4 | 16 | M |
| MARKS "C" keyway | G5 | 18 | O |
| IC core housing w/9271 Collar - 6 Pin | G6 | NC | M |
| IC core housing, Schlage large format (FOR MORTISE ONLY) | G7 | 86 | M |
| No Cylinder, no key bypass | G8 | NC | A |
| IC Housing, Sargent Large format | G9 | 65 | M |
| Corbin Mortise all cyl bores single & db | G10 | 30 | M |

| MOUNTS | CODE | PRICE | TYPE |
|------------------------------------|------|-------|------|
| M6500 Mounted mort. prep 2-3/4" bs | M1 | | |
| M6500 Mounted 2-1/2" | M2 | | |
| ME100M Mounted I Que prep | M3 | | |
| Mounted 3 hole prep | M4 | | |
| M1319 Mounted cyl/deadbolt prep | M6 | | |
| M295 Mounted Plastic | M7 | | |
| M1900 Mounted 2-1/8" prep | M8 | | |
| Mounted Panic Devices | M10 | | |
| 5001PL Plastic Mortise Cover | M11 | | |

| STRIKE | CODE | PRICE | TYPE |
|----------------------------------|------|-------|------|
| 4-7/8" ASA strike | S1 | 15 | C,T |
| Straight lip strike | S2 | 4 | M |
| 2-3/4" "T" strike | S3 | NC | C,T |
| 3-5/8" x 1-1/4" Security strike | S4 | 13 | T |
| 2-1/4" Curved lip strike | S5 | NC | T |
| 4-7/8" Strikes: 1 Left / 1 Right | S6 | 15 | INT |
| Strike with 1-1/2" lip | S7 | 18 | M |
| Radius corner strike | S8 | NC | M |
| 4035-1 strike | S9 | NC | |
| 1-7/8" Lip Strike | S10 | NC | C,T |
| Sqare coner Full Lip Strike | SQ | NC | T |
| Use 9035 ASA | S11 | NC | M |

| TURNPIECES | CODE | PRICE | TYPE |
|------------|------|-------|------|
| TP 1 | T1 | 19 | M |
| TP 2 | T2 | 19 | M |
| TP 3 | T3 | 19 | M |
| TP 4 | T4 | 19 | M |

| LOCK BODY | CODE | PRICE | TYPE |
|------------------------------------|------|-------|------|
| Lever override guard - outside* | B1 | 47 | M |
| Lever override guard - both sides* | B2 | 67 | M |
| Hardened pins - deadbolt | B3 | 20 | M |
| Lever springs | B4 | 21 | M |
| Pin and lever springs | B5 | 40 | M |
| Hollow spacer | B6 | 20 | M |
| 8 mm hubs on square | B7 | 20 | M |
| Turnpiece hub on square | B8 | 13 | M |
| With deadbolt | B9 | 20 | M |
| Boxed Lock Body | B10 | NC | M |
| Lever spring outside only | B11 | NC | M |
| Lever spring Inside only | B12 | NC | M |
| Special Deadbolt Un Notched | B12 | NC | ORN |

| LOCK FRONT | CODE | PRICE | TYPE |
|------------------|------|-------|------|
| 1-1/16" x 8" | Q | 29 | M |
| 1-1/16" x 5-5/8" | R | 30 | M |
| 1-1/16" x 7-5/8" | T | 29 | M |
| 1-1/4" x 10" | U | 118 | M |
| 1-1/16" x 7-3/4" | V | 29 | M |
| 1" x 7-1/8" | W | NC | M |
| 1-1/4" x 8" | X | 27 | M |
| 1-1/4" x 8-5/8" | Y | 118 | M |
| 1" x 8" | Z | 27 | M |

| DOOR THICKNESS | CODE | PRICE | TYPE |
|-----------------------------|------|-------|------|
| 2" | D1 | NC | M,C |
| 2-1/4" | D2 | 81 | M, C |
| 1-3/4" | D4 | NC | M |
| 1-3/8" | D5 | NC | M |
| Over 2-3/8 - 4" Cylindrical | D9 | 700 | A,C |
| 2-1/4" - 4" Door Thickness | D14 | 433 | M |

CYLINDRICAL 18-20 WEEKS

How To ORDER MORTISE LOCKSETS & HANDLESETS

OPTIONS

| TRIM CHANGES | CODE | PRICE | TYPE |
|--------------------------------------|------|-------|------|
| Lead lined | F1 | 352 | M |
| Large inside plate | F2 | 38 | M |
| Less inside trim** | F4 | NC | C |
| Less outside trim** | F5 | NC | M |
| For 1-1/2" bore | F6 | 22 | T |
| Yale Conventional cylinder | F7 | 25 | M |
| Sargent Conventional cylinder | F8 | 25 | C |
| Corbin Conventional cylinder | F9 | 25 | C |
| Adjustable spring collars | F10 | 6 | M |
| Corbin 6 pin C core | F12 | 37 | C |
| Corbin 7 pin IC core | F13 | 37 | C |
| Yale 6 pin IC core | F14 | NC | C |
| Yale 7 pin IC core | F15 | 25 | C |
| Less outside knob/lever | F16 | NC | M |
| Less trim with custom escutcheon | F18 | NC | M |
| Schlage 6 pin IC core | F19 | 925 | M,C |
| Sergent IC core | F20 | 25 | M,C |
| Medeco IC core large format | F21 | 25 | INT |
| Blank inside plate/lever | F25 | NC | |
| Blank outside plate/lever | F26 | NC | M |
| Yale 6 pin IC core w/captivated tail | F27 | NC | C |
| Yale 710 IC core w/ captivated tail | F28 | NC | C |
| Screwless interior escutcheon | F29 | 65 | M |
| TP 5 | T5 | 24 | M |
| TP 5 | T6 | 19 | M |
| TP 5 | T7 | 19 | M |
| TP 9 | T9 | 19 | M |
| TP 15 | T15 | 19 | M |
| TP 16 | T16 | 19 | M |
| SK15 | SK15 | 19 | M |
| TP 17 Screwless TP | TP17 | 27 | M |
| TP 18 Screwless TP | T18 | 19 | M |

| LATCH | CODE | PRICE | TYPE |
|---------------------------------------|------|-------|------|
| Solid latch | E1 | 22 | M |
| Open hold open latch | E2 | 40 | M |
| Auxiliary latch | E3 | 38 | M |
| 2-3/4" backset, 1-1/8" x 2-1/4" face | E4 | 12 | C,T |
| 2-3/8" back set, 1" x 2-1/4" face | E6 | NC | C,T |
| 2-3/4" BS, 9/16" throw, Gr. 1 UL | E7 | 50 | C |
| 2-3/4" BS, 9/16" throw, Gr. 1 | | | |
| UL listed with cylindrical cartridge | E7* | 116 | T |
| *E7 option N function only, 2-3/4BS | | | |
| 2-3/8", 2-3/4", 3-3/4" & 5" Backsets | | | |
| 5" bs, 9/16" throw, Gr. 1 UL | E9 | 50 | C,T |
| 3-3/4" BS, 9/16" throw Gr. UL | E10 | 50 | C |
| 2-3/8" backset, 1-1/8" x 2-1/4" face | E11 | 15 | C,T |
| 2-3/4" backset, 1" x 2-1/4" face | E12 | 15 | C,T |
| Adjustable latch 1-1/8" x 2-1/4" face | E13 | 12 | T |
| Adjustable latch 1" x 2-1/4" face UL | E14 | 19 | T |
| Radius corners on tubular | E15 | NC | T |
| UL latch, adjustable | E16 | 17 | T |
| Kick off latch (P) 1834P | E17 | NC | C |




| ELECTRIFIED | CODE | PRICE | TYPE |
|-----------------------|------|-------|------|
| 24V | H1 | | |
| 12V | H2 | | |
| Electrically locked | H9 | | |
| Electrically unlocked | H10 | | |

| ELECTRONICS | CODE | VALUE | TYPE |
|---|------|-------|------|
| Sensor W1 for REX (Cylindrical Archi-Tech) | W1 | 347 | AC |
| American lever | W2 | 18 | |
| Monaco lever | W3 | 22 | A,C |
| Solid exterior handle no cylinder | W4 | NC | A,C |
| Hardwired | W5 | 28 | A,C |
| Crescent lever | W7 | 22 | A,C |
| Series 55 Mort Lock Body 2-1/2" BS | W8 | | |
| Deadbolt function lock w/ 2101 cam | W9 | 28 | A,C |
| Request to exit switch | w10 | 173 | A,C |
| Key sensor | w11 | 173 | A,C |
| Titan lever | W12 | 21 | ac |
| REX switch, key, bolt sensor | W13 | 519 | A,C |
| W13 option for mortise locks | | | A,C |
| Bolt sensor | W14 | 173 | A,C |
| Latch sensor | W15 | 173 | A,C |
| REX + Latch Sensor | W16 | 347 | A,C |

| FINISHES | ANSI # |
|---|-----------|
| US 3 Polished Brass, Clear Coated | 605 |
| US 3E Polished Brass "PVD" | 605E |
| US 4 Satin Brass, Clear Coated | 606, 606E |
| US 5 Antique Brass, Clear Coated | 609, 609E |
| US 10E Satin Bronze "PVD" | 612E |
| US 10 Satin Bronze, Clear Coated | 612 |
| US 10B Dark Bronze, Clear Coated | 613E |
| US 14 Bright Nickel Plating, Clear Coated | 614 |
| US 15 Satin Nickel | 619, 619E |
| US 19 Flat Black, Powder Coated | 622, 622E |
| US 20A Dark Oxidized Statuary Bronze, Clear Coated | 624 |
| US 26 Polished Chrome, Plated | 625 |
| US 26D Satin Chrome, Plated | 626 |
| US 26 Satin Chrome, Powder Coat | 626E |
| US 32 Polished Stainless Steel | 629 |
| US 32D Satin Stainless Steel | 630 |

AM Antimicrobial Finish AM, +40


CLASSIC PLATE DESIGN CL

|  | ANSI-A156.13 • Grade 1 3 Hour Fire Rating |  | Series 5 • 2-3/4" Backset Series 55 • 2-1/2" Backset | |
|---|---|---|--|---------|
|  | Standard Features | KNOBS | LEVERS | |
| | <ul style="list-style-type: none"> • Thru-bolted screwless knob/lever plate assemblies • Independent spring loaded captivated spindles • Reversible mortise lock 2-1/2" or 2-3/4" backset • Lever support springs • Lock front: 1-1/4" x 8" • Dimensions: Ext: 8" H x 2-1/2" W, Int: 8" H x 2-1/2" W • Cylinder: MARKS "C" keyway, 6 pin w/ 2 keys • Height: 7/32" Options available on page 9-10 | 10, 20 | 002, 031, 44, 47C, 55, 57, 72, 77, 78, 82, 83, 86, 92, 96, | |
| | FINISH GROUPS | | | |
| MARKS # | FUNCTION | ANSI # | 32D | 32D |
| KEYED SINGLE CYLINDER, NO DEADBOLT | | | | |
| D | OFFICE VEST. | | 709.35 | 875.72 |
| DW | VESTIBULE | | | |
| E | OFFICE | F04 | | |
| EW | STOREROOM | F07 | | |
| J | CLASSROOM | F05 | | |
| JM, JR | HOSPITAL | F06 | | |
| GL | INSTIT. PRIVACY | F26 | | |
| EL | ELECTRICALLY LOCKED | | 1075.82 | 1241.07 |
| EU | ELECTRICALLY UNLOCKED | | | |
| KEYED SINGLE CYLINDER, WITH DEADBOLT | | | | |
| A | ENTRANCE | F08, F10 | 725.08 | 891.46 |
| B | ENTRANCE | F21 | | |
| F | DORMITORY | F12 | | |
| FS | DORMITORY | | | |
| FW | DORMITORY | F13 | | |
| FD | APARTMENT | F20 | 797.03 | 962.28 |
| H | HOTEL | F15 | | |
| LH | SPECIAL PRIVACY | | | |
| KEYED DOUBLE CYLINDER, NO DEADBOLT | | | | |
| G | APARTMENT | F09 | 764.43 | 929.68 |
| GC | INTRUDER LATCHBOLT | F32 | | |
| GG | CLASSROOM SECURITY | | | |
| GR | CLASSROOM SECURITY w/HOLDBACK | | | |
| WW | INSTITUTIONAL | F30 | | |
| KEYED DOUBLE CYLINDER, WITH DEADBOLT | | | | |
| AC | ENTRANCE | F35 | 764.43 | 929.68 |
| C | STOREROOM | F14 | | |
| FC | INTRUDER DEADBOLT | F34 | | |
| FA | DORMITORY | F11 | | |
| FX | DORMITORY | F33 | | |
| KEYLESS | | | | |
| N | PASSAGE | F01 | 595.81 | 762.18 |
| L | BATHROOM | F02 | 727.33 | 892.58 |
| LF | PRIVACY | F19 | | |
| LJ | PRIVACY | F22 | 656.51 | 821.76 |
| EX | EXIT | F31 | 656.51 | 821.76 |
| DUMMY TRIM | | | | |
| DI | DUMMY TRIM INSIDE | | 300.15 | 382.21 |
| DO | DUMMY TRIM OUTSIDE | | | |
| DT | FULLY DUMMY | | 596.92 | 763.30 |

KNOBS & LEVERS ARE PACKED 6 PER CASE




NOTE: Split designs and/or finishes are priced at the highest design and/or finish • Special finishes, consult factory

CLASSIC PLATE DESIGN CL

| | | | | |
|---|--|---------------|--|---|
|  | ANSI-A156.13 • Grade 2 | | Series 7 • 2-3/4" Backset Series 9 • 2-1/2" Backset | |
| | Standard Features | | KNOBS | LEVERS |
| | <ul style="list-style-type: none"> • Thru-bolted screwless knob/lever plate assemblies • Independent spring loaded captivated spindles • Reversible mortise lock 2-1/2" or 2-3/4" backset • Lever support springs • Cylinder: MARKS "C" keyway, 6 pin w/ 2 keys • Lock front Series 7: 1-1/4" x 8"; Series 9: 1-1/16" x 7-5/8" • Dimensions: Ext: 8" H x 2-1/2" W, Int: 8" H x 2-1/2" W Options available on page 9-10 | | 10, 20 | 031, 037A, 44, 47C, 55, 57, 72, 77, 78, 82, 83, 86, 92, 96, 002 |
| FINISH GROUPS | | | | |
| MARKS # | FUNCTION | ANSI # | 32D | 32D |
| KEYED SINGLE CYLINDER, NO DEADBOLT | | | | |
| D | OFFICE VEST. | | 672.25 | 838.62 |
| DW | VESTIBULE | | | |
| KEYED SINGLE CYLINDER, WITH DEADBOLT | | | | |
| A | ENTRANCE | F08, F10 | 689.11 | 854.36 |
| B | ENTRANCE | F21 | | |
| F | DORMITORY | F12 | | |
| FS | DORMITORY | | | |
| FW | DORMITORY | F13 | | |
| KEYED DOUBLE CYLINDER, WITH DEADBOLT | | | | |
| AC | ENTRANCE | F35 | 728.46 | 893.71 |
| C | STOREROOM | F14 | | |
| FX | DORMITORY | F33 | | |
| KEYLESS | | | | |
| N | PASSAGE | F01 | 558.71 | 725.08 |
| L | BATHROOM | F02 | 690.23 | 855.49 |
| LF | PRIVACY | F19 | | |
| DUMMY TRIM | | | | |
| DI | DUMMY TRIM INSIDE | | 300.15 | 382.21 |
| DO | DUMMY TRIM OUTSIDE | | | |
| DT | FULLY DUMMY | | 596.93 | 763.31 |
| NOTE: SPLIT DESIGNS AND/OR FINISHES ARE PRICED AT THE HIGHEST DESIGN AND/OR FINISH • SPECIAL FINISHES, CONSULT FACTORY | | | | |

| | | | | |
|---|---|--|---|---|
| KNOBS | Round Knob 10 | Ball Knob 20 | Commerce Lever 037A | Metropolitan Lever 002 |
| |  |  |  |  |
| | Lucida Lever 47C | Copa Lever 031 | Brompton Lever 55 | Monaco Lever 57 |
| |  |  |  |  |
| LEVERS | Towne Lever 72 | Maxwell Lever 77 | Omni Lever 78 | Plaza Lever 82 Specify handing |
| |  |  |  |  |
| | Dayton Lever 83 Specify handing | Crescent Lever 86 | American Lever 92 | Titan Lever 96 |
|  |  |  |  | |


CAPITOL PLATE DESIGN CP

|  | | ANSI-A156.13 • Grade 1 3 Hour Fire Rating |  | Series 5 • 2-3/4" Backset Series 55 • 2-1/2" Backset | | | | |
|---|--|--|---|---|---|---------|---|--|
|  | Standard Features | | KNOBS | | LEVERS | | | |
| | <ul style="list-style-type: none"> • Thru-bolted screwless knob/lever plate assemblies • Independent spring loaded captivated spindles • Reversible mortise lock 2-1/2" or 2-3/4" backset • Lever support springs • Lock front: 1-1/4" x 8" • Dimensions: Ext: 8-1/2" H x 2-3/4" W, Int: 8-1/2" H x 2-3/4" W • Cylinder: MARKS "C" keyway, 6 pin w/ 2 keys • Concealed 5 pin cylinder (option A12) • Thickness: 1/8" Options available on page 9-10 | | 10, 20 | | 002, 031, 037A, 47C, 55, 57, 72, 77, 78, 82, 83, 86, 92, 96, | | 002, 031, 037A, 47C, 82, 83, 86, 92, 96 | |
| | FINISH GROUPS | | | | | | | |
| MARKS # | FUNCTION | ANSI # | 3, 32D | 10, 10B | 3, 32D | 10, 10B | | |
| KEYED SINGLE CYLINDER, NO DEADBOLT | | | | | | | | |
| D | OFFICE VEST. | | 738.57 | 781.29 | 903.83 | 951.04 | | |
| DW | VESTIBULE | | | | | | | |
| E | OFFICE | F04 | | | | | | |
| EW | STOREROOM | F07 | | | | | | |
| J | CLASSROOM | F05 | | | | | | |
| JM, JR | HOSPITAL | F06 | | | | | | |
| GL | INSTIT. PRIVACY | F26 | | | | | | |
| EL | ELECTRICALLY LOCKED | | 1105.05 | 1147.77 | 1270.30 | 1313.02 | | |
| EU | ELECTRICALLY UNLOCKED | | | | | | | |
| KEYED SINGLE CYLINDER, WITH DEADBOLT | | | | | | | | |
| A | ENTRANCE | F08, F10 | 754.31 | 798.15 | 920.69 | 963.41 | | |
| B | ENTRANCE | F21 | | | | | | |
| F | DORMITORY | F12 | | | | | | |
| FS | DORMITORY | | | | | | | |
| FW | DORMITORY | F13 | | | | | | |
| FD | APARTMENT | F20 | 825.13 | 867.85 | 991.51 | 1035.35 | | |
| H | HOTEL | F15 | | | | | | |
| LH | SPECIAL PRIVACY | | | | | | | |
| KEYED DOUBLE CYLINDER, NO DEADBOLT | | | | | | | | |
| G | APARTMENT | F09 | 794.78 | 837.50 | 960.03 | 1002.75 | | |
| GC | INTRUDER LATCHBOLT | F32 | | | | | | |
| GG | CLASSROOM SECURITY | | | | | | | |
| GR | CLASSROOM SECURITY w/HOLDBACK | | | | | | | |
| WW | INSTITUTIONAL | F30 | | | | | | |
| KEYED DOUBLE CYLINDER, WITH DEADBOLT | | | | | | | | |
| AC | ENTRANCE | F35 | 794.78 | 837.50 | 960.03 | 1002.75 | | |
| C | STOREROOM | F14 | | | | | | |
| FC | INTRUDER DEADBOLT | F34 | | | | | | |
| FA | DORMITORY | F11 | | | | | | |
| FX | DORMITORY | F33 | | | | | | |
| KEYLESS | | | | | | | | |
| N | PASSAGE | F01 | 626.16 | 668.88 | 792.53 | 835.25 | | |
| L | BATHROOM | F02 | 756.56 | 799.28 | 921.81 | 964.53 | | |
| LF | PRIVACY | F19 | | | | | | |
| LJ | PRIVACY | F22 | 686.86 | 729.58 | 852.11 | 894.83 | | |
| EX | EXIT | F31 | | | | | | |
| DUMMY TRIM | | | | | | | | |
| DI | DUMMY TRIM INSIDE | | 686.86 | 729.58 | 852.11 | 894.83 | | |
| DO | DUMMY TRIM OUTSIDE | | 312.52 | 335.00 | 395.70 | 418.19 | | |
| DT | FULLY DUMMY | | 626.16 | 670.00 | 793.66 | 796.55 | | |

KNOBS & LEVERS ARE PACKED 6 PER CASE

NOTE: Split designs and/or finishes are priced at the highest design and/or finish • Special finishes, consult factory

CAPITOL PLATE DESIGN CP

|  | ANSI-A156.13 • Grade 2 | | Series 7 • 2-3/4" Backset Series 9 • 2-1/2" Backset | | | |
|---|--|----------|--|--------|--|---------|
| | Standard Features | | KNOBS | | LEVERS | |
| | <ul style="list-style-type: none"> • Thru-bolted screwless knob/lever plate assemblies • Independent spring loaded captivated spindles • Reversible mortise lock 2-1/2" or 2-3/4" backset • Lever support springs • Lock front Series 7: 1-1/4" x 8", Series 9: 1-1/16" x 7-5/8" • Dimensions: Ext: 8-1/2" H x 2-3/4" W, Int: 8-1/2" H x 2-3/4" W • Cylinder: MARKS "C" keyway, 6 pin w/ 2 keys Options available on page 10-12 | | 10, 20 | | 002 031, 037A, 47C, 55, 57, 72, 77, 78, 82, 83, 86, 92, 96 | |
| FINISH GROUPS | | | | | | |
| MARKS # | FUNCTION | ANSI # | 3, 32D | 10,10B | 3, 32D | 10, 10B |
| KEYED SINGLE CYLINDER, NO DEADBOLT | | | | | | |
| D | OFFICE VEST. | | 701.48 | 744.19 | 866.73 | 911.69 |
| DW | VESTIBULE | | | | | |
| KEYED SINGLE CYLINDER, WITH DEADBOLT | | | | | | |
| A | ENTRANCE | F08, F10 | 718.34 | 761.06 | 883.59 | 926.31 |
| B | ENTRANCE | F21 | | | | |
| F | DORMITORY | F12 | | | | |
| FS | DORMITORY | | | | | |
| FW | DORMITORY | F13 | | | | |
| KEYED DOUBLE CYLINDER, WITH DEADBOLT | | | | | | |
| AC | ENTRANCE | F35 | 757.68 | 800.40 | 922.94 | 965.65 |
| C | STOREROOM | F14 | | | | |
| FX | DORMITORY | F33 | | | | |
| KEYLESS | | | | | | |
| N | PASSAGE | F01 | 5890.6 | 631.78 | 755.44 | 798.15 |
| L | BATHROOM | F02 | 719.46 | 762.18 | 884.71 | 927.43 |
| LF | PRIVACY | F19 | | | | |
| DUMMY TRIM | | | | | | |
| DI | DUMMY TRIM INSIDE | | 312.52 | 335.00 | 395.70 | 418.19 |
| DO | DUMMY TRIM OUTSIDE | | | | | |
| DT | FULLY DUMMY | | 626.16 | 670.00 | 793.66 | 836.38 |
| NOTE: Split designs and/or finishes are priced at the highest design and/or finish • Special finishes, consult factory | | | | | | |

| | | | | |
|--------------|---|--|---|---|
| KNOBS | Round Knob 10  | Ball Knob 20  | Commerce Lever 037A  | Metropolitan Lever 002  |
| | Lucida Lever 47C  | Copa Lever 031  | Brompton Lever 55  | Monaco Lever 57  |
| | Towne Lever 72  | Maxwell Lever 77  | Omni Lever 78  | Plaza Lever 82  |
| | Dayton Lever 83 Specify handing  | Crescent Lever 86  | American Lever 92  | Titan Lever 96  |


CROWN PLATE DESIGN CR

|  | | ANSI-A156.13 • Grade 1 3 Hour Fire Rating |  | Series 5 • 2-3/4" Backset Series 55 • 2-1/2" Backset | | | |
|---|---|--|---|---|--|---------------------------|--|
|  | Standard Features | | KNOBS | | LEVERS | | |
| | <ul style="list-style-type: none"> • Thru-bolted screwless knob/lever plate assemblies • Independent spring loaded captivated spindles • Reversible mortise lock 2-1/2" or 2-3/4" backset • Lever support springs • Lock front: 1-1/4" x 8" • Dimensions: Ext: 8-1/2" H x 2" W, Int: 8-1/2" H x 2" W • Cylinder: MARKS "C" keyway, 6 pin w/ 2 keys • Height: 13/32" • Square Edges Options available on page 9-10 | | 10, 20 | | 002, 031,037A, 47C, 55, 57, 72, 77, 78, 82, 83, 86, 92, 96 | | 002, 031,037A, 47C, 82, 83, 86, 92, 96 |
| FINISH GROUPS | | | | | | | |
| MARKS # | FUNCTION | ANSI # | 3, 26D, 32D | 10, 10B, 32 | 3, 15, 26D | 4, 10, 10B, 14, 19, 26 | 32, 32D |
| KEYED SINGLE CYLINDER, NO DEADBOLT | | | | | | | |
| D | OFFICE VEST. | | 763.31 | 806.02 | 879.09 | 964.53 | 921.81 |
| DW | VESTIBULE | | | | | | |
| E | OFFICE | F04 | | | | | |
| EW | STOREROOM | F07 | | | | | |
| J | CLASSROOM | F05 | | | | | |
| JM, JR | HOSPITAL | F06 | | | | | |
| GL | INSTIT. PRIVACY | F26 | | | | | |
| EL | ELECTRICALLY LOCKED | | 1128.66 | 1172.50 | 1227.58 | 1313.02 | 1270.30 |
| EU | ELECTRICALLY UNLOCKED | | | | | | |
| KEYED SINGLE CYLINDER, WITH DEADBOLT | | | | | | | |
| A | ENTRANCE | F08, F10 | 779.04 | 821.76 | 894.83 | 980.27 | 937.55 |
| B | ENTRANCE | F21 | | | | | |
| F | DORMITORY | F12 | | | | | |
| FS | DORMITORY | | | | | | |
| FW | DORMITORY | F13 | | | | | |
| FD | APARTMENT | F20 | 803.78 | 846.49 | 919.56 | 1005.00 | 962.28 |
| H | HOTEL | F15 | | | | | |
| LH | SPECIAL PRIVACY | | | | | | |
| KEYED DOUBLE CYLINDER, NO DEADBOLT | | | | | | | |
| G | APARTMENT | F09 | 813.89 | 856.61 | 928.56 | 1015.12 | 972.40 |
| GC | INTRUDER LATCHBOLT | F32 | | | | | |
| GG | CLASSROOM SECURITY | | | | | | |
| GR | CLASSROOM SECURITY w/HOLDBACK | | | | | | |
| WW | INSTITUTIONAL | F30 | | | | | |
| KEYED DOUBLE CYLINDER, WITH DEADBOLT | | | | | | | |
| AC | ENTRANCE | F35 | 813.89 | 856.61 | 928.56 | 1015.12 | 972.40 |
| C | STOREROOM | F14 | | | | | |
| FC | INTRUDER DEADBOLT | F34 | | | | | |
| FA | DORMITORY | F11 | | | | | |
| FX | DORMITORY | F33 | | | | | |
| KEYLESS | | | | | | | |
| N | PASSAGE | F01 | 655.39 | 698.10 | 771.17 | 856.61 | 813.89 |
| L | BATHROOM | F02 | 779.04 | 821.76 | 894.83 | 980.27 | 937.55 |
| LF | PRIVACY | F19 | | | | | |
| LJ | PRIVACY | F22 | 712.72 | 756.56 | 828.51 | 915.07 | 872.35 |
| EX | EXIT | F31 | | | | | |
| DUMMY TRIM | | | | | | | |
| DI | DUMMY TRIM INSIDE | | 327.13 | 351.86 | 388.96 | 453.04 | 410.32 |
| DO | DUMMY TRIM OUTSIDE | | | | | | |
| DT | FULLY DUMMY | | 661.01 | 703.72 | 776.80 | 862.23 | 819.51 |

KNOBS & LEVERS ARE PACKED 6 PER CASE




NOTE: Split designs and/or finishes are priced at the highest design and/or finish • Special finishes, consult factory

CROWN PLATE DESIGN CR

|  | ANSI-A156.13 • Grade 2 | | Series 7 • 2-3/4" Backset Series 9 • 2-1/2" Backset | | | | |
|---|---|----------|--|----------------|---|------------------------|---|
| | Standard Features | | KNOBS | | LEVERS | | |
| | <ul style="list-style-type: none"> • Thru-bolted screwless knob/lever plate • Independent spring loaded captivated spindles • Reversible mortise lock 2-1/2" or 2-3/4" backset • Lever support springs • Lock front Series 7: 1-1/4" x 8", Series 9: 1-1/16" x 7-5/8" • Dimensions: Ext: 8-1/2" H x 2" W, Int: 8-1/2" H x 2" W • Cylinder: MARKS "C" keyway, 6 pin w/ 2 keys Options available on page 9-10 | | 10, 20 | | 002, 031,037A, 47c 55, 57, 72, 77, 78, 82, 83, 86, 92, 96 | | 002, 031,037A, 47C, 82, 83, 86, 92,96 |
| FINISH GROUPS | | | | | | | |
| MARKS # | FUNCTION | ANSI # | 3, 26D, 32D | 10, 10B, 32 | 3, 15, 26D | 4, 10, 10B, 14, 19E | 32, 32D |
| KEYED SINGLE CYLINDER, NO DEADBOLT | | | | | | | |
| D | OFFICE VEST. | | 727.33 | 770.05 | 842.00 | 927.43 | 884.71 |
| DW | VESTIBULE | | | | | | |
| KEYED SINGLE CYLINDER, WITH DEADBOLT | | | | | | | |
| A | ENTRANCE | F08, F10 | 741.95 | 784.66 | 857.73 | 943.17 | 900.45 |
| B | ENTRANCE | F21 | | | | | |
| F | DORMITORY | F12 | | | | | |
| FS | DORMITORY | | | | | | |
| KEYED DOUBLE CYLINDER, WITH DEADBOLT | | | | | | | |
| AC | ENTRANCE | F35 | 766.80 | 819.51 | 892.58 | 978.02 | 935.30 |
| C | STOREROOM | F14 | | | | | |
| FX | DORMITORY | F33 | | | | | |
| KEYLESS | | | | | | | |
| N | PASSAGE | F01 | 618.29 | 661.01 | 734.08 | 819.51 | 776.80 |
| L | BATHROOM | F02 | 741.95 | 784.66 | 857.73 | 943.17 | 900.45 |
| LF | PRIVACY | F19 | | | | | |
| DUMMY TRIM | | | | | | | |
| DI | DUMMY TRIM INSIDE | | 327.13 | 351.86 | 388.96 | 453.04 | 410.32 |
| DO | DUMMY TRIM OUTSIDE | | | | | | |
| DT | FULLY DUMMY | | 661.01 | 703.72 | 776.80 | 862.23 | 819.51 |
| NOTE: Split designs and/or finishes are priced at the highest design and/or finish • Special finishes, consult factory | | | | | | | |

| | | | | |
|---|---|--|---|---|
| KNOBS | Round Knob 10 | Ball Knob 20 | Commerce Lever 037A | Metropolitan Lever 002 |
| |  |  |  |  |
| | Lucida Lever 47C | Copa Lever 031 | Brompton Lever 55 | Monaco Lever 57 |
| |  |  |  |  |
| LEVERS | Towne Lever 72 | Maxwell Lever 77 | Omni Lever 78 | Plaza Lever 82 Specify handing |
| |  |  |  |  |
| | Dayton Lever 83 Specify handing | Crescent Lever 86 | American Lever 92 | Titan Lever 96 |
|  |  |  |  | |


DRAKE PLATE DESIGN DR

|  | ANSI-A156.13 • Grade 1 3 Hour Fire Rating | |  | Series 5 • 2-3/4" Backset Series 55 • 2-1/2" Backset | | | |
|---|---|----------|---|---|--|----------------------------|---|
|  | Standard Features | | KNOBS | | LEVERS | | |
| | <ul style="list-style-type: none"> • Thru-bolted screwless knob/lever plate • Independent spring loaded captivated spindles • Reversible mortise lock 2-1/2" or 2-3/4" backset • Lever support springs • Lock front: 1-1/4" x 8" • Dimensions: Ext: 11" H x 2-1/2" W, Int: 11" H x 2-1/2" W • Cylinder: MARKS "C" keyway, 6 pin w/ 2 keys • Height: 13/32" • Square Edges Options available on page 9-10 | | 10, 20 | | 002, 031,037A, 47C, 55, 57, 72, 77, 78, 82, 83, 86, 92, 96 | | 002, 031,037A 47C, 82, 83, 86, 92, 96 |
| MARKS # | FUNCTION | ANSI # | 3, 26D, 32D | 10, 10B, 32 | 3, 15, 26D | 4, 10E, 10B, 14, 19, 26 | 32, 32D |
| KEYED SINGLE CYLINDER, NO DEADBOLT | | | | | | | |
| D | OFFICE VEST. | | 843.12 | 885.84 | 958.91 | 1044.35 | 1001.63 |
| DW | VESTIBULE | | | | | | |
| E | OFFICE | F04 | | | | | |
| EW | STOREROOM | F07 | | | | | |
| J | CLASSROOM | F05 | | | | | |
| JM, JR | HOSPITAL | F06 | | | | | |
| GL | INSTIT. PRIVACY | F26 | | | | | |
| EL | ELECTRICALLY LOCKED | | 1208.47 | 1251.19 | 1307.40 | 1392.84 | 1350.12 |
| EU | ELECTRICALLY UNLOCKED | | | | | | |
| KEYED SINGLE CYLINDER, WITH DEADBOLT | | | | | | | |
| A | ENTRANCE | F08, F10 | 858.56 | 901.58 | 974.65 | 1060.08 | 1017.37 |
| B | ENTRANCE | F21 | | | | | |
| F | DORMITORY | F12 | | | | | |
| FS | DORMITORY | | | | | | |
| FW | DORMITORY | F13 | | | | | |
| FD | APARTMENT | F20 | 883.59 | 926.31 | 998.25 | 1084.82 | 1042.10 |
| H | HOTEL | F15 | | | | | |
| LH | SPECIAL PRIVACY | | | | | | |
| KEYED DOUBLE CYLINDER, NO DEADBOLT | | | | | | | |
| G | APARTMENT | F09 | 893.71 | 936.43 | 1008.37 | 1094.93 | 1051.09 |
| GC | INTRUDER LATCHBOLT | F32 | | | | | |
| GG | CLASSROOM SECURITY | | | | | | |
| GR | CLASSROOM SECURITY w/HOLDBACK | | | | | | |
| WW | INSTITUTIONAL | F30 | | | | | |
| KEYED DOUBLE CYLINDER, WITH DEADBOLT | | | | | | | |
| AC | ENTRANCE | F35 | 893.71 | 936.43 | 1008.37 | 1050.08 | 1051.09 |
| C | STOREROOM | F14 | | | | | |
| FC | INTRUDER DEADBOLT | F34 | | | | | |
| FA | DORMITORY | F11 | | | | | |
| FX | DORMITORY | F33 | | | | | |
| KEYLESS | | | | | | | |
| N | PASSAGE | F01 | 735.20 | 777.92 | 850.99 | 936.43 | 893.71 |
| L | BATHROOM | F02 | 858.86 | 901.58 | 974.65 | 1060.08 | 1017.37 |
| LF | PRIVACY | F19 | | | | | |
| LJ | PRIVACY | F22 | 793.66 | 836.38 | 908.32 | 994.88 | 952.16 |
| EX | EXIT | F31 | | | | | |
| DUMMY TRIM | | | | | | | |
| DI | DUMMY TRIM INSIDE | | 370.97 | 392.33 | 428.31 | 493.51 | 450.79 |
| DO | DUMMY TRIM OUTSIDE | | | | | | |
| DT | FULLY DUMMY | | 740.82 | 783.54 | 856.61 | 942.05 | 899.33 |

KNOBS & LEVERS ARE PACKED 6 PER CASE




NOTE: Split designs and/or finishes are priced at the highest design and/or finish • Special finishes, consult factory

DRAKE PLATE DESIGN DR


|  | ANSI-A156.13 • Grade 2 | | Series 7 • 2-3/4" Backset Series 9 • 2-1/2" Backset | | | | |
|--|---|----------|--|-------------|---|-----------------------------|---------|
| | Standard Features | | KNOBS | | LEVERS | | |
| | <ul style="list-style-type: none"> • Thru-bolted screwless knob/lever plate • Independent spring loaded captivated spindles • Reversible mortise lock 2-1/2" or 2-3/4" backset • Lever support springs • Lock front Series 7: 1-1/4" x 8", Series 9: 1-1/16" x 7-5/8" • Dimensions: Ext: 11" H x 2-1/2" W, Int: 11" H x 2-1/2" W • Cylinder: MARKS "C" keyway, 6 pin w/ 2 keys Options available on page 9-10 | | 10, 20 | | 002, 031, 037A, 47C, 55, 57, 72, 77, 78, 82, 83, 86, 92, 96 | | |
| FINISH GROUPS | | | | | | | |
| MARKS # | FUNCTION | ANSI # | 3, 26D, 32D | 10, 10B, 32 | 3, 15, 26D | 4, 10E, 10B, 14, 19, 26, 32 | 32D |
| KEYED SINGLE CYLINDER, NO DEADBOLT | | | | | | | |
| D | OFFICE VEST. | | 808.27 | 849.87 | 921.81 | 1007.25 | 964.53 |
| DW | VESTIBULE | | | | | | |
| KEYED SINGLE CYLINDER, WITH DEADBOLT | | | | | | | |
| A | ENTRANCE | F08, F10 | 821.76 | 864.48 | 937.55 | 1024.11 | 980.27 |
| B | ENTRANCE | F21 | | | | | |
| F | DORMITORY | F12 | | | | | |
| FS | DORMITORY | | | | | | |
| KEYED DOUBLE CYLINDER, WITH DEADBOLT | | | | | | | |
| AC | ENTRANCE | F35 | 856.61 | 899.33 | 972.40 | 1057.84 | 1015.12 |
| C | STOREROOM | F14 | | | | | |
| FX | DORMITORY | F33 | | | | | |
| KEYLESS | | | | | | | |
| N | PASSAGE | F01 | 698.10 | 740.82 | 813.89 | 899.33 | 856.61 |
| L | BATHROOM | F02 | 821.76 | 864.48 | 957.55 | 1024.11 | 980.27 |
| LF | PRIVACY | F19 | | | | | |
| DUMMY TRIM | | | | | | | |
| DI | DUMMY TRIM INSIDE | | 370.97 | 392.33 | 428.31 | 493.51 | 450.79 |
| DO | DUMMY TRIM OUTSIDE | | | | | | |
| DT | FULLY DUMMY | | 740.30 | 772.30 | 856.61 | 942.05 | 899.33 |
| KNOBS & LEVERS ARE PACKED 6 PER CASE | | | | | | | |
| NOTE: Split designs and/or finishes are priced at the highest design and/or finish • Special finishes, consult factory | | | | | | | |

| | | | | |
|---|---|--|---|---|
| KNOBS | Round Knob 10 | Ball Knob 20 | Commerce Lever 037A | Metropolitan Lever 002 |
| |  |  |  |  |
| | Lucida Lever 47C | Copa Lever 031 | Brompton Lever 55 | Monaco Lever 57 |
| |  |  |  |  |
| LEVERS | Towne Lever 72 | Maxwell Lever 77 | Omni Lever 78 | Plaza Lever 82 |
| |  |  |  |  |
| | Dayton Lever 83 Specify handing | Crescent Lever 86 | American Lever 92 | Titan Lever 96 |
|  |  |  |  | |

NEW YORKER PLATE DESIGN NY



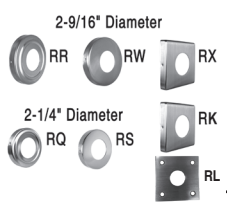
|  | | ANSI-A156.13 • Grade 1 3 Hour Fire Rating |  | Series 5 • 2-3/4" Backset Series 55 • 2-1/2" Backset | | | |
|---|---|--|---|---|---|--------|--|
|  | Standard Features | | KNOBS | | LEVERS | | |
| | <ul style="list-style-type: none"> • Thru-bolted screwless knob/lever plate assemblies • Independent spring loaded captivated spindles • Reversible mortise lock 2-1/2" or 2-3/4" backset • Lever support springs • Lock front: 1-1/4" x 8" • Dimensions: Ext: 10" H x 2-3/4" W, *Int: 7" H x 2-1/4" W • Cylinder: MARKS "C" keyway, 6 pin w/ 2 keys • Thickness: 1/4" Options available on page 9-10 | | 10, 20 | | 002, 031,037A, 47C, 55, 57, 72, 77, 78, 82, 83, 86, 92, 96 | | |
| FINISH GROUPS | | | | | | | |
| MARKS # | FUNCTION | ANSI # | 3 | 26D | 3 | 26D | |
| KEYED SINGLE CYLINDER, NO DEADBOLT | | | | | | | |
| D | OFFICE VEST. | | 485.64 | 529.48 | 596.93 | 641.90 | |
| DW | VESTIBULE | | | | | | |
| E | OFFICE | F04 | | | | | |
| EW | STOREROOM | F07 | | | | | |
| J | CLASSROOM | F05 | | | | | |
| JM, JR | HOSPITAL | F06 | | | | | |
| GL | INSTIT. PRIVACY | F26 | | | | | |
| EL | ELECTRICALLY LOCKED | | 888.09 | 933.05 | 1001.63 | 996.01 | |
| EU | ELECTRICALLY UNLOCKED | | | | | | |
| KEYED SINGLE CYLINDER, WITH DEADBOLT | | | | | | | |
| A | ENTRANCE | F08, F10 | 504.75 | 545.22 | 617.17 | 661.01 | |
| B | ENTRANCE | F21 | | | | | |
| F | DORMITORY | F12 | | | | | |
| FS | DORMITORY | | | | | | |
| FW | DORMITORY | F13 | | | | | |
| FD | APARTMENT | F20 | 532.85 | 576.69 | 646.39 | 690.24 | |
| H | HOTEL | F15 | | | | | |
| LH | SPECIAL PRIVACY | | | | | | |
| KEYED DOUBLE CYLINDER, NO DEADBOLT | | | | | | | |
| G | APARTMENT | F09 | 542.97 | 596.93 | 655.39 | 699.23 | |
| GC | INTRUDER LATCHBOLT | F32 | | | | | |
| GG | CLASSROOM SECURITY | | | | | | |
| GR | CLASSROOM SECURITY w/HOLDBACK | | | | | | |
| WW | INSTITUTIONAL | F30 | | | | | |
| KEYED DOUBLE CYLINDER, WITH DEADBOLT | | | | | | | |
| AC | ENTRANCE | F35 | 542.97 | 596.93 | 655.39 | 699.23 | |
| C | STOREROOM | F14 | | | | | |
| FC | INTRUDER DEADBOLT | F34 | | | | | |
| FA | DORMITORY | F11 | | | | | |
| FX | DORMITORY | F33 | | | | | |
| KEYLESS | | | | | | | |
| N | PASSAGE | F01 | 359.73 | 403.58 | 472.14 | 516.52 | |
| L | BATHROOM | F02 | 504.18 | 545.22 | 617.17 | 661.01 | |
| LF | PRIVACY | F19 | | | | | |
| LJ | PRIVACY | F22 | 427.18 | 471.02 | 539.60 | 584.57 | |
| EX | EXIT | F31 | | | | | |
| DUMMY TRIM | | | | | | | |
| DI | DUMMY TRIM INSIDE | | 184.36 | 205.73 | 242.82 | 286.66 | |
| DO | DUMMY TRIM OUTSIDE | | | | | | |
| DT | FULLY DUMMY | | 367.61 | 411.44 | 478.89 | 524.98 | |
| <p align="center">KNOB & LEVER ARE PACKED 6 PER CASE</p> <p align="center">NOTE: Split designs and/or finishes are priced at the highest design and/or finish • Special finishes, consult factory</p> <p align="right">* Large interior plate available (10" H x 2-3/4" W)</p> | | | | | | | |

NEW YORKER PLATE DESIGN NY

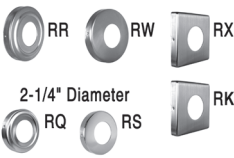
|  | ANSI-A156.13 • Grade 2 | | Series 7 • 2-3/4" Backset Series 9 • 2-1/2" Backset | | | |
|---|--|----------|--|--------|---|--------|
| | Standard Features | | KNOBS | | LEVERS | |
| | <ul style="list-style-type: none"> • Thru-bolted screwless knob/lever plate assemblies • Independent spring loaded captivated spindles • Reversible mortise lock 2-1/2" or 2-3/4" backset • Lever support springs • Lock front Series 7: 1-1/4" x 8", Series 9: 1-1/16" x 7-5/8" • Dimensions: Ext: 10" H x 2-3/4" W, *Int: 7" H x 2-1/4" W • Cylinder: MARKS "C" keyway, 6 pin w/ 2 keys Options available on page 9-10 | | 10, 20 | | 002, 031, 037A, 47C, 65, 57, 72, 77, 78, 82, 83, 86, 92, 96 | |
| MARKS # | FUNCTION | ANSI # | FINISH GROUPS | | | |
| | | | 3 | 26D | 3 | 26D |
| KEYED SINGLE CYLINDER, NO DEADBOLT | | | | | | |
| D | OFFICE VEST. | | 405.44 | 445.07 | 518.23 | 557.86 |
| DW | VESTIBULE | | | | | |
| KEYED SINGLE CYLINDER, WITH DEADBOLT | | | | | | |
| A | ENTRANCE | F08, F10 | 422.71 | 459.29 | 524.33 | 564.97 |
| B | ENTRANCE | F21 | | | | |
| F | DORMITORY | F12 | | | | |
| FS | DORMITORY | | | | | |
| FW | DORMITORY | F13 | | | | |
| KEYED DOUBLE CYLINDER, WITH DEADBOLT | | | | | | |
| AC | ENTRANCE | F35 | 457.26 | 496.89 | 558.87 | 598.50 |
| C | STOREROOM | F14 | | | | |
| FX | DORMITORY | F33 | | | | |
| KEYLESS | | | | | | |
| N | PASSAGE | F01 | 293.66 | 332.28 | 394.24 | 432.87 |
| L | BATHROOM | F02 | 422.71 | 459.29 | 570.05 | 609.68 |
| LF | PRIVACY | F19 | | | | |
| DUMMY TRIM | | | | | | |
| DI | DUMMY TRIM INSIDE | | 166.65 | 185.95 | 219.49 | 259.11 |
| DO | DUMMY TRIM OUTSIDE | | | | | |
| DT | FULLY DUMMY | | 332.28 | 371.91 | 432.87 | 474.53 |
| KNOBES & LEVERS ARE PACKED 6 PER CASE NOTE: Split designs and/or finishes are priced at the highest design and/or finish • Special finishes, consult factory * Large interior plate available (10" H x 2-3/4" W) | | | | | | |

| | | | | |
|---------------|---|--|---|---|
| KNOBES | Round Knob 10  | Ball Knob 20  | Commerce Lever SF037A  | Metropolitan Lever 002  |
| | Lucida Lever 47C  | Copa Lever 031  | Brompton Lever 55  | Monaco Lever 57 Specify handing  |
| | Towne Lever 72  | Maxwell Lever 77  | Omni Lever 78  | Plaza Lever 82 Specify handing  |
| | Dayton Lever 83 Specify handing  | Crescent Lever 86  | American Lever 92  | Titan Lever 96  |

ROSE DESIGN RR, RW, RQ, RS, RX*, RK*, RL*

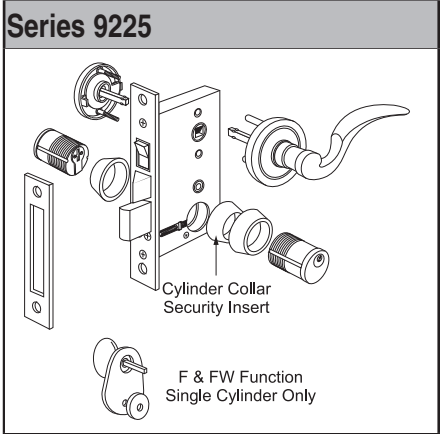
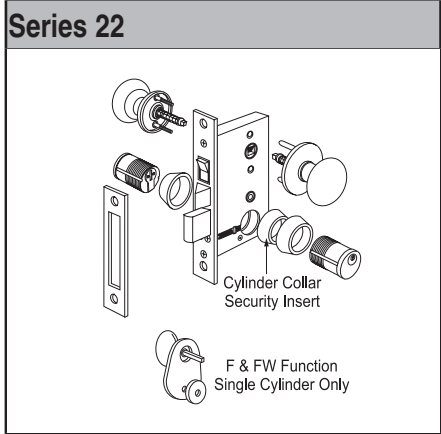
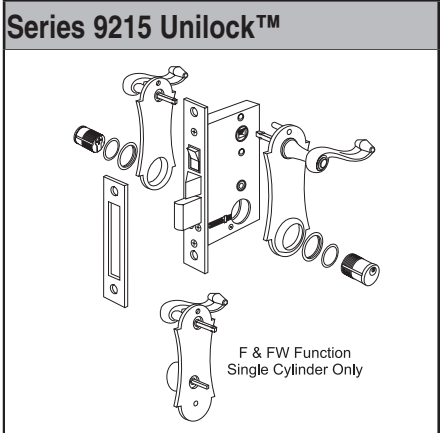
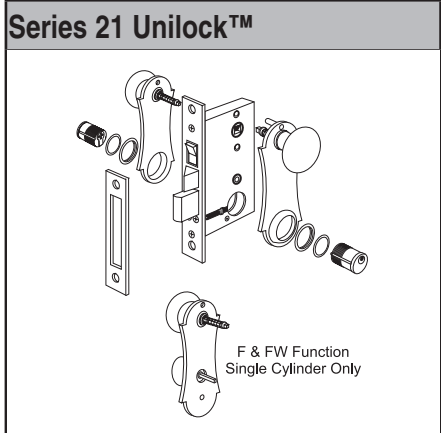
|  | | ANSI-A156.13 • Grade 1 3 Hour Fire Rating | |  | | Series 5 • 2-3/4" Backset Series 55 • 2-1/2" Backset | | |
|---|-------------------------------|---|--------|---|---|---|-------------|---|
|  | | Standard Features | | KNOBS | LEVERS | | | |
| | | <ul style="list-style-type: none"> • Thru-bolted screwless knob/lever rose assemblies • Independent spring loaded captivated spindles • Reversible mortise lock 2-1/2" or 2-3/4" backset • Lever support springs • Lock front: 1-1/4" x 8" • Cylinder: MARKS "C" keyway, 6 pin w/ 2 keys Options available on page 9-10 | | 10, 20 | 002, 031,037A, 47C 55, 57, 72, 77, 78, 82, 83, 86, 92, 96 | | | 002, 031,037A 47C, 82, 83, 86, 92, 96 |
| MARKS # | | FUNCTION | ANSI # | 3, 32D | 3, 4, 15, 26D | 14, 26, 32 | 10, 10B, 19 | 32D |
| KEYED SINGLE CYLINDER, NO DEADBOLT | | | | | | | | |
| D | OFFICE VEST. | | | | | | | |
| DW | VESTIBULE | | | | | | | |
| E | OFFICE | F04 | | | | | | |
| EW | STOREROOM | F07 | | 648.64 | 690.23 | 732.95 | 775.67 | 690.23 |
| J | CLASSROOM | F05 | | | | | | |
| JM, JR | HOSPITAL | F06 | | | | | | |
| GL | INSTIT. PRIVACY | F26 | | | | | | |
| EL | ELECTRICALLY LOCKED | | | 1013.99 | 1055.59 | 10938.31 | 1128.66 | 1055.59 |
| EU | ELECTRICALLY UNLOCKED | | | | | | | |
| KEYED SINGLE CYLINDER, WITH DEADBOLT | | | | | | | | |
| A | ENTRANCE | F08, F10 | | | | | | |
| B | ENTRANCE | F21 | | | | | | |
| F | DORMITORY | F12 | | 663.25 | 705.97 | 748.69 | 779.04 | 705.97 |
| FS | DORMITORY | | | | | | | |
| FW | DORMITORY | F13 | | | | | | |
| FD | APARTMENT | F20 | | | | | | |
| H | HOTEL | F15 | | 689.11 | 730.70 | 773.42 | 803.78 | 730.70 |
| LH | SPECIAL PRIVACY | | | | | | | |
| KEYED DOUBLE CYLINDER, NO DEADBOLT | | | | | | | | |
| G | APARTMENT | F09 | | | | | | |
| GC | INTRUDER LATCHBOLT | F32 | | | | | | |
| GG | CLASSROOM SECURITY | | | 698.10 | 739.70 | 782.42 | 813.89 | 739.70 |
| GR | CLASSROOM SECURITY w/HOLDBACK | | | | | | | |
| WW | INSTITUTIONAL | F30 | | | | | | |
| KEYED DOUBLE CYLINDER, WITH DEADBOLT | | | | | | | | |
| AC | ENTRANCE | F35 | | | | | | |
| C | STOREROOM | F14 | | | | | | |
| FC | INTRUDER DEADBOLT | F34 | | 698.10 | 739.70 | 782.42 | 813.89 | 739.70 |
| FA | DORMITORY | F11 | | | | | | |
| FX | DORMITORY | F33 | | | | | | |
| KEYLESS | | | | | | | | |
| N | PASSAGE | F01 | | 503.62 | 632.90 | 676.74 | 684.61 | 632.90 |
| L | BATHROOM | F02 | | | | | | |
| LF | PRIVACY | F19 | | 663.25 | 705.97 | 748.69 | 779.04 | 705.97 |
| LJ | PRIVACY | F22 | | | | | | |
| EX | EXIT | F31 | | 596.93 | 639.65 | 682.37 | 712.72 | 639.65 |
| DUMMY TRIM | | | | | | | | |
| DI | DUMMY TRIM INSIDE | | | 136.02 | 156.26 | 177.62 | 188.02 | 156.26 |
| DO | DUMMY TRIM OUTSIDE | | | | | | | |
| DT | FULLY DUMMY | | | 268.67 | 310.27 | 352.99 | 384.46 | 310.27 |
| KNOB & LEVER ARE PACKED 6 PER CASE NOTE: Split designs and/or finishes are priced at the highest design and/or finish • Special finishes, consult factory | | | | | | | | |
| *Square Rose RX: Add \$35 / *Square Rose RZ: Add \$80 / *Square Rose RK: Add \$110 | | | | | | | | |

ROSE DESIGN RR, RW, RQ, RS, RX*, RK*, RL*

| 2-9/16" Diameter | | ANSI-A156.13 • Grade 2 | | Series 7 • 2-3/4" Backset | | | | Series 9 • 2-1/2" Backset | | | | | | | |
|--|--|---|--|---------------------------|--|---|--|---------------------------|--|---|--|---------------|--|--------|--|
| Standard Features | | KNOBS | | LEVERS | | | | | | | | | | | |
|  | | <ul style="list-style-type: none"> • Thru-bolted screwless knob/lever rose assemblies • Independent spring loaded captivated spindles • Reversible mortise lock 2-1/2" or 2-3/4" backset • Lever support springs • Lock front Series 7: 1-1/4" x 8"; Series 9: 1-1/16" x 7-5/8" • Cylinder: MARKS "C" keyway, 6 pin w/ 2 keys • Options available on page 9-10 | | 10, 20 | | 002, 031, 037A, 47C, 55, 57, 72, 77, 78, 82, 83, 86, 92, 96 | | | | 002, 031, 037A, 47C, 82, 83, 86, 92, 96 | | | | | |
| MARKS # | | FUNCTION | | ANSI # | | 3, 32D | | 3, 4, 15, 26D | | 14, 26, 32 | | 10E, 10B, 19E | | 32D | |
| KEYED SINGLE CYLINDER, NO DEADBOLT | | | | | | | | | | | | | | | |
| D | | OFFICE VEST. | | | | 611.54 | | 654.14 | | 695.86 | | 727.33 | | 654.14 | |
| DW | | VESTIBULE | | | | | | | | | | | | | |
| KEYED SINGLE CYLINDER, WITH DEADBOLT | | | | | | | | | | | | | | | |
| A | | ENTRANCE | | F08, F10 | | | | | | | | | | | |
| B | | ENTRANCE | | F21 | | | | | | | | | | | |
| F | | DORMITORY | | F12 | | 627.28 | | 668.88 | | 711.59 | | 752.06 | | 668.88 | |
| FS | | DORMITORY | | | | | | | | | | | | | |
| FW | | DORMITORY | | F13 | | | | | | | | | | | |
| KEYED DOUBLE CYLINDER, WITH DEADBOLT | | | | | | | | | | | | | | | |
| AC | | ENTRANCE | | F35 | | | | | | | | | | | |
| C | | STOREROOM | | F14 | | 661.01 | | 702.60 | | 745.32 | | 776.80 | | 702.60 | |
| FX | | DORMITORY | | F33 | | | | | | | | | | | |
| KEYLESS | | | | | | | | | | | | | | | |
| N | | PASSAGE | | F01 | | 503.62 | | 545.22 | | 587.94 | | 618.29 | | 545.22 | |
| L | | BATHROOM | | F02 | | | | | | | | | | | |
| LF | | PRIVACY | | F19 | | 627.28 | | 668.88 | | 781.29 | | 741.95 | | 668.88 | |
| DUMMY TRIM | | | | | | | | | | | | | | | |
| DI | | DUMMY TRIM INSIDE | | | | 136.02 | | 156.26 | | 177.62 | | 192.23 | | 156.26 | |
| DO | | DUMMY TRIM OUTSIDE | | | | | | | | | | | | | |
| DT | | FULLY DUMMY | | | | 262.67 | | 310.27 | | 352.99 | | 384.46 | | 310.27 | |
| KNOBES & LEVERS ARE PACKED 6 PER CASE NOTE: Split designs and/or finishes are priced at the highest design and/or finish • Special finishes, consult factory *Square Rose RX: Add \$35 / *Square Rose RZ: Add \$80 / *Square Rose RK: Add \$110 | | | | | | | | | | | | | | | |

| KNOBS | Round Knob 10 | Ball Knob 20 | Commerce Lever 037A | Metropolitan Lever 002 | ROSES | RR: 2-9/16" dia. | |
|--------|---|---|---|--|---|---|------------------|
| |  |  |  |  | |  | RW: 2-9/16" dia. |
| | Lucida Lever 47C | Copa Lever 031 | Brompton Lever 55 | Monaco Lever 57 Specify handing | |  | RQ: 2-1/4" dia. |
| |  |  |  |  | |  | RS: 2-1/4" dia. |
| LEVERS | Towne Lever 72 | Maxwell Lever 77 | Omni Lever 78 | Plaza Lever 82 Specify handing |  | | |
| |  |  |  |  | | | |
| | Dayton Lever 83 Specify handing | Crescent Lever 86 | American Lever 92 | Titan Lever 96 | | | |
| |  |  |  |  | | | |
| | | | | | | RX: 2-1/2" sq. Wrought RK: 2-1/2" sq. Forged RL: 2-1/2" sq. | |

ORNAMENTAL IRON



| Standard Features | | | | | | | |
|---|-------------------------|--------|---|--------|---|--------|--------|
| <ul style="list-style-type: none"> Door thickness: 1" Series 9 lock body, Backset: 2-1/2" Reversible mortise lock 1" bolt, 1/2" latch projection Lock front Series 7: 1-1/4" x 8"; Series 9: 1-1/16" x 7-5/8" Thru-bolted solid brass trim assemblies Spring loaded captivated spindles Cylinder: Marks "A" keyway, 5 pin w/ 2 keys; keyed alike-6 | | | SERIES 21 UNILOCK™ SERIES 22 | | SERIES 9215 UNILOCK™ SERIES 9225 | | |
| FINISH GROUPS | | | | | | | |
| MARKS # | FUNCTION | 3 | 10B | 5, 26D | 3 | 10B | 5, 26D |
| KEYED SINGLE CYLINDER, WITH DEADBOLT | | | | | | | |
| DW | SINGLE CYL. PANIC PROOF | | | | | | |
| F | SINGLE CYL. PANIC PROOF | 326.24 | 389.61 | 347.36 | 435.38 | 491.71 | 457.68 |
| FW | SINGLE CYL. PANIC PROOF | | | | | | |
| KEYED DOUBLE CYLINDER, WITH DEADBOLT | | | | | | | |
| AC | ENTRANCE | 289.86 | 356.75 | 310.99 | 400.17 | 457.68 | 421.30 |
| DUMMY TRIM | | | | | | | |
| DT | FULL DUMMY | 193.63 | 267.56 | 207.71 | 310.99 | 376.70 | 326.24 |
| ORNAMENTAL IRON LOCKSETS ARE PACKED 6 PER CASE | | | | | | | |

| Standard Features | | SERIES | | |
|--|-------------------------------|---------------------------|--------|--------|
| <ul style="list-style-type: none"> Thru-bolted solid brass trim assemblies Spring loaded captivated spindles Reversible mortise lock 1" backset 1" bolt, 1/2" latch projection Cylinder: Marks "A" keyway, 5 pin w/ 2 keys; keyed alike - 6 | | 2750 THINLINE® | | |
| MARKS # | | FINISH GROUPS | | |
| FUNCTION | 3 | 10B | 5, 26D | |
| KEYED WITH DEADBOLT | | | | |
| B | ENTRANCE CYLINDER x TURNPIECE | 242.92 | 306.29 | 273.43 |
| C | ENTRANCE DOUBLE CYLINDER | | | |
| DUMMY TRIM | | | | |
| DT | FULL DUMMY | 146.69 | 204.19 | 170.16 |
| ORNAMENTAL IRON LOCKSETS PACKED 6 PER CASE | | | | |

| OPTIONS - Series 2750 | CODE | PRICE |
|-----------------------|------|-------|
| For 1-3/4" doors | D4 | NC |
| Marks "C" keyway | G5 | 17 |

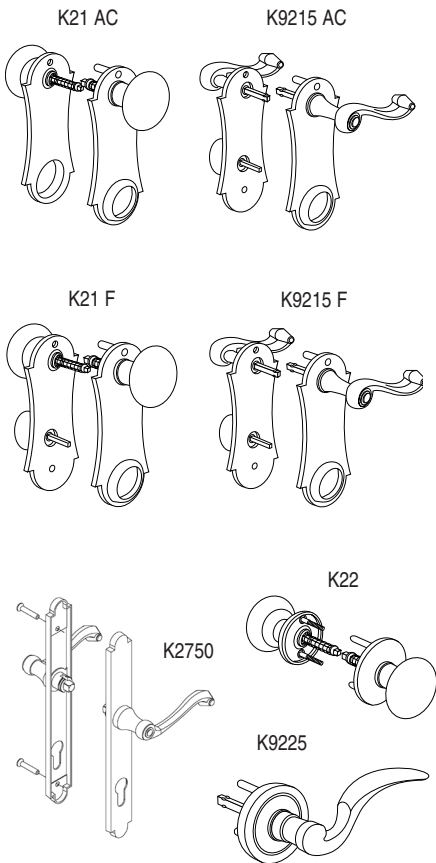
| OPTIONS | CODE | PRICE |
|-------------------------------------|------|-------|
| Lock Front: 1" x 7-1/8" standard | W | NC |
| Mushroom knob interior; 1-7/8" prj. | A9 | 6 |
| For 1-3/4" doors | D4 | NC |
| Adjustable spring collars | F10 | 6 |

| How To Order Example for Ornamental Iron Locksets | | | | | |
|--|---|-------|--|------|---|
| 9215 | C | / | 10B | - | D4 |
| 1. Lock Series | 2. Marks Function | Slash | 3. Finish | Dash | 4. Options |
| LOCK SERIES (Pgs. 49 & 50) <input type="checkbox"/> 21 <input type="checkbox"/> 2750 <input type="checkbox"/> 22 <input type="checkbox"/> 9215 | MARKS FUNCTION (Pgs. 57-58) — B — AC — C — DT — F — DW | | FINISH (Pg. 10) <input type="checkbox"/> 3 <input type="checkbox"/> 10B <input type="checkbox"/> 5 <input type="checkbox"/> 26D | | OPTIONS <input type="checkbox"/> Special Specify • Keying • Handing • Door Thickness |

ORNAMENTAL IRON

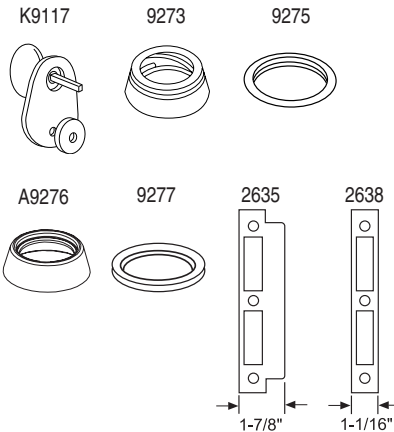
Knob & Lever Kits

Ornamental Iron



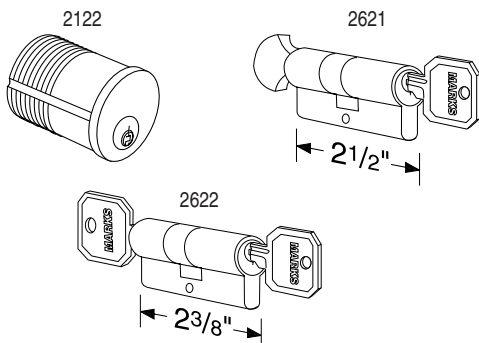
| PART # | DESCRIPTION | FUNCTION | FINISH GROUPS | | | |
|---------|---|----------|---------------|--------|--------|--------|
| | | | 3 | 4 | 10B | 5, 26D |
| K21AC | Ext./Int. UNILOCK™ knob/plate kit | AC | 143.17 | — | 186.59 | 158.43 |
| K21AC-M | Ext./Int. UNILOCK™ knob/plate kit (Mushroom Int.) | AC | 160.77 | — | 192.46 | 165.47 |
| K21F | Ext./Int. UNILOCK™ knob/plate kit assemblies | F | 171.34 | — | 206.54 | 179.55 |
| K21F-M | Ext./Int. UNILOCK™ knob/plate kit (Mushroom Int.) | F | 177.20 | — | 213.58 | 186.59 |
| K2750 | LEVER PLATE TRIM SET | | 171.34 | — | 221.80 | 194.81 |
| 2600B | Thinline lock body, latch, deadbolt US 4 & 26D ONLY - Strike not included | | — | 142.00 | 221.80 | 194.81 |
| K9215AC | Ext./Int. UNILOCK™ lever/plate kit assemblies | AC | 215.93 | — | 255.83 | 228.84 |
| K9215F | Ext./Int. UNILOCK™ lever/plate kit assemblies | F | 215.93 | — | 280.47 | 253.48 |
| A9214-M | UNILOCK™ mushroom knob/plate (w/cylinder hole) | AC | 79.80 | — | 111.49 | 83.32 |
| K9217-M | UNILOCK™ mushroom knob/plate (w/turnpiece) | F | 139.65 | — | 170.16 | 143.17 |
| K22 | Ext./Int. knob/rose kit 1" thru 1-3/4" door | | 83.32 | — | 127.91 | 100.92 |
| K22-M | Ext./Int. knob/rose kit (mushroom int.) | | 91.54 | — | 133.78 | 106.79 |
| K9225 | Ext./Int. lever/rose kit | | 211.24 | — | 248.79 | 221.80 |

Accessories



| PART # | DESCRIPTION | FINISH GROUPS | | |
|---------|---|---------------|-------|--------|
| | | NO FINISH | 3 | 5, 26D |
| K9117 | Turnpiece kit | — | 55.16 | 58.68 |
| A9223-M | Interior knob/rose assembly (mushroom knob) | — | 46.94 | 55.16 |
| 9273 | Spring collar, 7/16" high | — | 14.08 | 17.94 |
| 9275 | Mortise spacer, wrought brass, 1/8" high | — | 7.04 | — |
| A9276 | Collar, wrought brass w/insert, 1/2" high | — | 24.64 | 24.64 |
| 9277 | Plastic spacer ring, 1/16" | 1.17 | — | — |
| 2635 | Curved lip strike, solid brass | — | 28.16 | 17.60 |
| 2638 | Flat strike, solid brass, no lip | — | 17.60 | 8.21 |

Cylinders

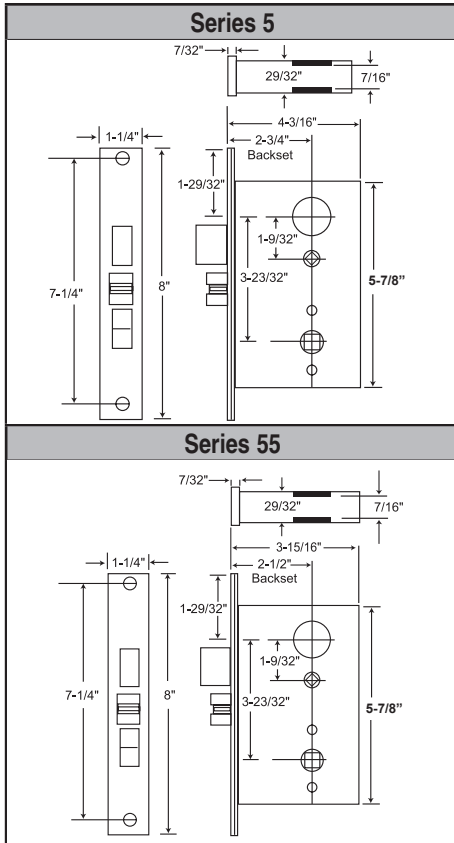


| PART # | DESCRIPTION | FINISH GROUPS | |
|--------|--|---------------|--------|
| | | 3 | 5, 26D |
| 2122-A | 5 Pin mortise cylinder, "A" keyway, 15/16" | 43.87 | 46.01 |
| 2621-A | Cylinder x turnpiece unit, "A" keyway | 71.69 | 79.69 |
| 2622-A | double cylinder unit, "A" keyway | 51.36 | 64.20 |
| 2122-C | 5 Pin mortise cylinder, "C" keyway | 77.42 | 46.01 |
| 2621-C | Cylinder x turnpiece unit, "C" keyway | 71.69 | 79.18 |
| 2622-C | double cylinder unit, "C" keyway | 51.36 | 64.20 |

MORTISE LOCK BODIES

AUTOREVERSE SERIES

GRADE 1
MORTISE LOCKS EXCEEDS
BHMA
SPECIFICATIONS



| OPTIONS | CODE | PRICE |
|---|------|-------|
| 1-1/16" x 7-5/8" front | T | 29 |
| 1-1/16" x 7-3/4" front | V | 29 |
| 1-1/16" x 8" front | Q | 29 |
| Lever override guard outside (Series 5) | B1 | 47 |
| Lever override guard both sides | B2 | 67 |
| Lever support springs w- 5/16" hubs | B4 | 21 |
| Hubs with hollow spacer (Series 55) | B6 | 20 |
| Turnpiece hub on square | B8 | 13 |
| Screws with Dust Box | B10 | NC |
| Solid latch for electric strike | E1 | 22 |
| Hold open latch | E2 | 40 |
| Lead-lined mortise lock | F1 | 352 |
| 4-7/8" Strikes: 1 Left / 1 Right | S6 | 15 |
| Request to exit switch (Series 5) | W10 | 173 |

| CYLINDER CAMS REQUIRED | |
|------------------------|---------------------|
| Locks w/o deadbolt | 2101 Straight Cam |
| Locks w/deadbolt | 2102 Cloverleaf Cam |
| G function (ext. only) | 2106 "G" Cam |
| G function (int. only) | 2105 "J" Cam |
| J function | 2105 "J" Cam |

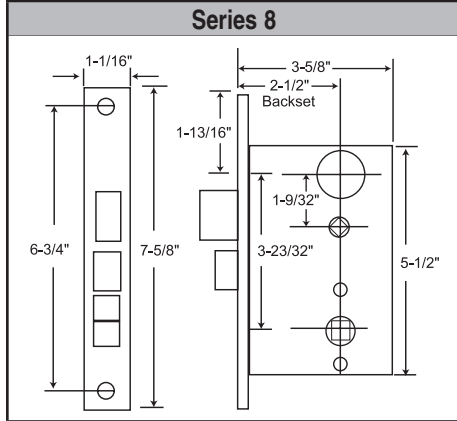
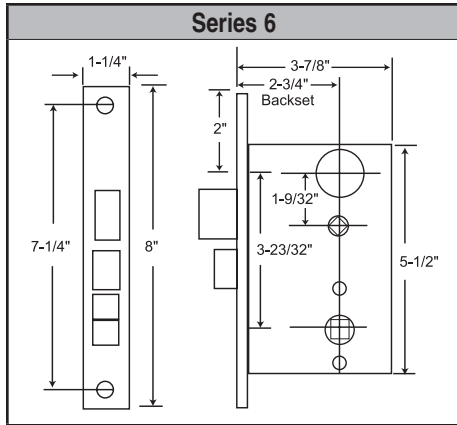
* 55 Series Lock Bodies are not available in autoreverse and electrified functions EL and EU.

| MARKS # | FUNCTION | ANSI # | Grade 1 for | | | |
|--|-------------------------------|------------------------|---|-------------|--|--|
| | | | 3, 32D | 10, 10B, 32 | | |
| | | | Standard Features <ul style="list-style-type: none"> Backset: 5 Series 2-3/4"; 55 Series 2-1/2" Bolt throw: Stainless steel full 1" throw Latch throw: 3/4" (anti-friction) Auxiliary latch: 1/2" throw Case: Stamped steel .090 thick., Zinc dichromate finish Front: 1-1/4" x 8", Adjustable bevel Hubs: Steel, 9/32" on diamond 5/16" on square w/security separator | | Grade 1 for Knobs & Levers Series 5 • 2-3/4" Backset Series 55 • 2-1/2" Backset | |
| | | | FINISH GROUPS | | | |
| KEYED SINGLE CYLINDER, NO DEADBOLT | | | | | | |
| D | OFFICE / VESTIBULE | | 356.36 | 466.53 | | |
| DW | VESTIBULE | | | | | |
| E, Q, QH | OFFICE | F04 | | | | |
| K | OFFICE | F04 | | | | |
| EW | STOREROOM | F07 | | | | |
| J | CLASSROOM | F05 | | | | |
| JM, JR | HOSPITAL (HOLDBACK) | F06 | | | | |
| GL | INST. PRIVACY | F26 | | | | |
| MT | ArchTech | | 1288.29 | 1313.02 | | |
| EL* | ELECTRICALLY LOCKED* | | 975.77 | 997.13 | | |
| EU* | | ELECTRICALLY UNLOCKED* | | | | |
| KEYED SINGLE CYLINDER, WITH DEADBOLT | | | | | | |
| A | ENTRANCE | F08, F10 | 374.35 | 394.58 | | |
| B | ENTRANCE | F21 | | | | |
| F | DORMITORY | F12 | | | | |
| FS | DORMITORY | | | | | |
| FW | DORMITORY | F13 | | | | |
| FD | APARTMENT | F20 | 401.33 | 422.68 | | |
| AD | | F27 | | | | |
| H | HOTEL | F15 | | | | |
| LH | SPEC. PRIVACY | | | | | |
| KEYED DOUBLE CYLINDER, NO DEADBOLT | | | | | | |
| G | ENTRANCE | F09 | 410.32 | 430.55 | | |
| GC | INTRUDER LATCHBOLT | F32 | | | | |
| GG | CLASSROOM SECURITY | | | | | |
| GR | CLASSROOM SECURITY w/HOLDBACK | | | | | |
| WW | INSTITUTION | F30 | | | | |
| KEYED DOUBLE CYLINDER, WITH DEADBOLT | | | | | | |
| AC | ENTRANCE | F35 | 410.32 | 430.55 | | |
| C | STOREROOM | F14 | | | | |
| FC | INTRUDER DEADBOLT | F34 | | | | |
| FA | DORMITORY | F11 | | | | |
| FX | DORMITORY | F33 | | | | |
| KEYLESS | | | | | | |
| N | PASSAGE | | 293.41 | 313.64 | | |
| L | BATHROOM | F02 | 374.35 | 394.58 | | |
| LF | PRIVACY | F19 | | | | |
| LJ | PRIVACY | F19 | | | | |
| EX | EXIT | F31 | | | | |
| MORTISE LOCK BODIES ARE PACKED 6 PER CASE | | | | | | |
| * Electrified Functions 5 SERIES ONLY: 2-3/4" Backset ONLY: 100% Duty Cycle 24V/DC, 12V/DC supplied with bridge rectifier (350 ma) | | | | | | |

Mortise Parts, Trim

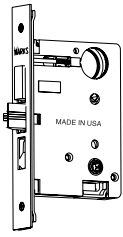
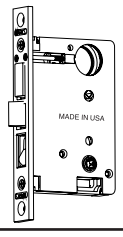
MORTISE LOCK BODIES

Mortise Parts, Trim

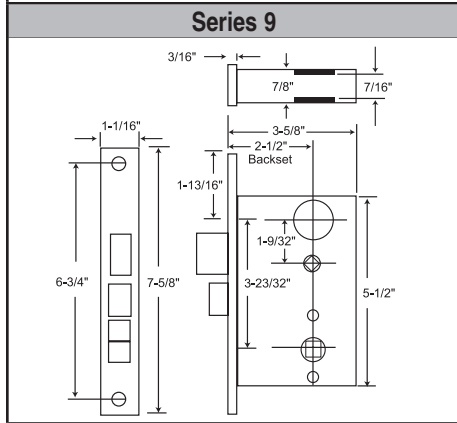
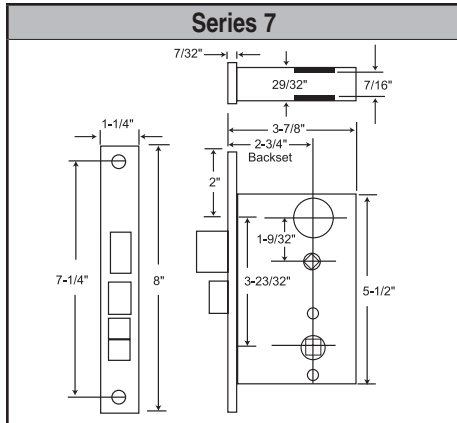


| OPTIONS | CODE | PRICE |
|--|------|-------|
| 1-1/16" x 7-5/8" front | T | 29 |
| 1-1/4" x 10" front, (A function, US 4 only), no mounting holes | U | 118 |
| 1" x 7-1/8" front, (US 4 only) | W | NC |
| 1-1/4" x 8" front | X | 27 |
| 1-1/4" x 8-5/8" front (A function, US 4 only) | Y | 118 |
| Screws with Dust Box | B10 | NC |
| Solid latch for electric strike | E1 | 22 |
| 4-7/8" Strikes: 1 Left / 1 Right | S6 | 15 |
| Front 1" x 8" | Z | 27 |

| CYLINDER CAMS REQUIRED | |
|------------------------|-------------------|
| All Functions | 2101 Straight Cam |

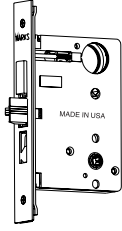
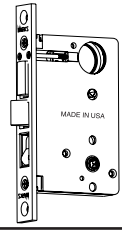
| Series 6 | | Standard Features | | Grade 2 for Handlesets Series 6 2-3/4" Backset Series 8 2-1/2" Backset | |
|---|---------------------|---|---------------|--|--|
|  | | <ul style="list-style-type: none"> Backset: 2-3/4" Bolt throw: Cast alloy full 1" throw Latch throw: 5/8" (anti-friction) Case: High pressure cast Zamac, baked enamel finish Front: 1-1/4" x 8", Flat or 3° bevel Hubs: 9/32" (7.2mm) on square | | | |
|  | | <ul style="list-style-type: none"> Backset: 2-1/2" Bolt throw: Cast alloy full 1" throw Latch throw: Solid brass 1/2" throw, reversible Case: High pressure cast Zamac, baked enamel finish Front: 1-1/16" x 7-5/8", Flat or 3° bevel Hubs: 9/32" on square | | | |
| MARKS # | FUNCTION | ANSI # | FINISH GROUPS | | |
| KEYED SINGLE CYLINDER, NO DEADBOLT | | | | | |
| DW | VESTIBULE | | 3, 32D | 10, 10B, 32 | |
| KEYED SINGLE CYLINDER, WITH DEADBOLT | | | | | |
| A | ENTRANCE | F08, F10 | 376.59 | 395.70 | |
| B | ENTRANCE | F21 | | | |
| F | DORMITORY | F12 | | | |
| KEYED DOUBLE CYLINDER, WITH DEADBOLT | | | | | |
| AC | ENTRANCE | F35 | 394.58 | 414.82 | |
| C | STORE DOOR "B BODY" | F25 | | | |
| SO | STORE DOOR | F25 | | | |
| MORTISE LOCK BODIES ARE PACKED 6 PER CASE | | | | | |

MORTISE LOCK BODIES



| OPTIONS | CODE | PRICE |
|--|------|-------|
| 1-1/16" x 7-5/8" front | T | 29 |
| 1-1/4" x 10" front, (A function, US 4 only), no mounting holes | U | 118 |
| 1" x 7-1/8" front, (US 4 only) | W | NC |
| 1-1/4" x 8" front | X | 27 |
| 1-1/4" x 8-5/8" front (A function, US 4 only) | Y | 118 |
| 1-1/16" x 8" | T | 29 |
| Pin and lever springs | B5 | 40 |
| Screws with Dust Box | B10 | NC |
| Solid latch for electric strike | E1 | 22 |
| 4-7/8" Strikes: 1 Left / 1 Right | S6 | 15 |
| Front 1" x 8" | Z | 27 |

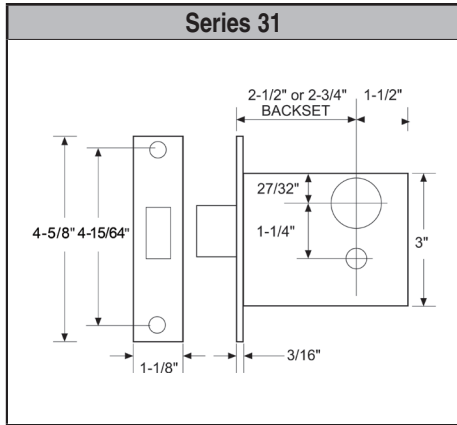
CYLINDER CAMS REQUIRED
 All functions 2101 Straight Cam

| Series 7 | | Standard Features | | Grade 2 for Knobs & Levers Series 7 2-3/4" Backset Series 9 2-1/2" Backset | |
|---|--|-------------------|---------------|---|--------|
|  | <ul style="list-style-type: none"> Backset: 2-3/4" Bolt throw: Cast alloy full 1" throw Latch throw: 5/8" (anti-friction) Case: High pressure cast Zamac, baked enamel finish Front: 1-1/4" x 8", Flat or 3° bevel Hubs: 9/32" on square steel, w/ security separator | | | | |
|  | <ul style="list-style-type: none"> Backset: 2-1/2" Bolt throw: Cast alloy full 1" throw Latch throw: Solid brass 1/2" throw, reversible Case: High pressure cast Zamac, baked enamel finish Front: 1-1/16" x 7-5/8", Flat or 3° bevel Hubs: 9/32" on square steel, w/ security separator | | | | |
| MARKS # | FUNCTION | ANSI # | FINISH GROUPS | | |
| KEYED SINGLE CYLINDER, NO DEADBOLT | | | | | |
| D | OFFICE / VESTIBULE | | 3, 32D | 10, 10B, 32 | |
| DW | VESTIBULE | | 320.39 | | 340.62 |
| KEYED SINGLE CYLINDER, WITH DEADBOLT | | | | | |
| A | ENTRANCE | F08, F10 | 338.37 | 356.36 | |
| B | ENTRANCE | F21 | | | |
| F | DORMITORY | F12 | | | |
| FS | DORMITORY | | | | |
| FW | DORMITORY | F13 | | | |
| KEYED DOUBLE CYLINDER, WITH DEADBOLT | | | | | |
| AC | ENTRANCE | F35 | 373.22 | 392.33 | |
| C | STOREROOM | F14 | | | |
| FA | DORMITORY | F11 | | | |
| FX | DORMITORY | F33 | | | |
| KEYLESS | | | | | |
| N | PASSAGE | F01 | 257.43 | 276.54 | |
| L | BATHROOM | F02 | 338.37 | 356.36 | |
| LF | PRIVACY | F19 | | | |
| MORTISE LOCK BODIES ARE PACKED 6 PER CASE | | | | | |


Mortise Parts, Trim

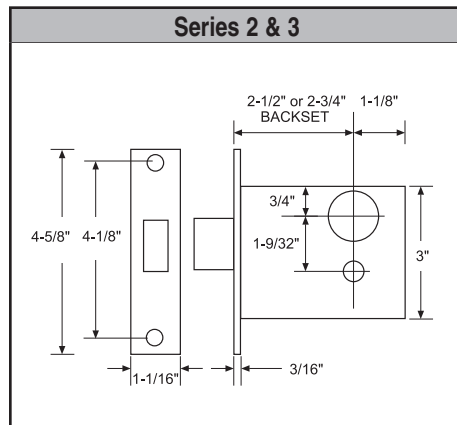
MORTISE DEADLOCKS

Mortise Parts, Trim




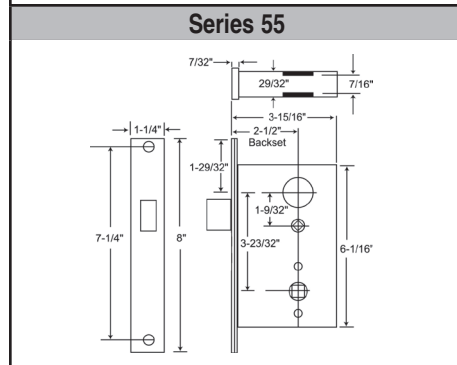
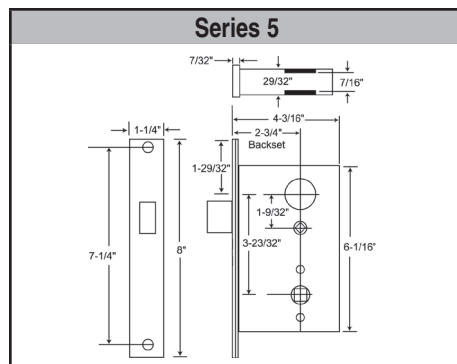
| OPTIONS | CODE | PRICE |
|----------------------------------|------|-------|
| Security Strike: 4-7/8" x 1-1/4" | S4 | 12 |


| Standard Features | | | Series 31 2-3/4" Backset | |
|---|-----------------------------|--------|---|--------------------|
| <ul style="list-style-type: none"> Backset: Series 31: 2-3/4" Bolt throw: 1" stainless steel with hardened roll pins Case: Stamped Steel, Grade 1 Front: 1-1/16" x 4-5/8" adjustable bevel Cylinder: Solid brass cylinder, 6-pin, "C" keyway, 2 keys Strike: #4035 (Included) 1-1/8" x 3-1/8" Strike: #4035-1 (Optional) 1-1/8" x 3-1/2" | | |  | |
| FINISH GROUPS | | | 3, 32D | 3, 10, 10B, 26, 32 |
| MARKS # | FUNCTION | ANSI # | | |
| — | LOCK ONLY | — | 209.09 | 340.62 |
| K, 31K | CYLINDER x TURNPIECE | E06071 | 276.54 | 356.36 |
| L, 31L | COMMUNICATING SINGLE CYL. | E06081 | 247.32 | 392.33 |
| M, 31M | DOUBLE CYLINDER | E06061 | 279.92 | 276.54 |
| S, 31S | CLASSROOM (Specify Handing) | E06091 | 313.64 | 356.36 |
| X, 31X | TURNPIECE ONLY | | 221.46 | 430.55 |
| MORTISE LOCK BODIES ARE PACKED 6 PER CASE | | | | |



| OPTIONS | CODE | PRICE |
|------------------------|------|-------|
| 1-1/16" x 5-5/8" front | R | 29 |

| Standard Features | | | Series 2 • 2-1/2" Backset Series 3 • 2-3/4" Backset | |
|--|-----------------------------|--------|---|--------------------|
| <ul style="list-style-type: none"> Backset: Series 2: 2-1/2"; Series 3: 2-3/4" Bolt throw: 1" Case: High pressure cast Front: 1-1/16" x 4-5/8" flat or 3° bevel Cylinder: Solid brass cylinder, 6-pin, "C" keyway, 2 keys Strike: #4035 Included | | |  | |
| FINISH GROUPS | | | 3, 32D | 3, 10, 10B, 26, 32 |
| MARKS # | FUNCTION | ANSI # | | |
| — | LOCK ONLY | — | 147.27 | 173.12 |
| K, 2K, 3K | CYLINDER x TURNPIECE | E06071 | 215.84 | 238.32 |
| L, 2L, 3L | COMMUNICATING SINGLE CYL. | E06081 | 188.86 | 215.84 |
| M, 2M, 3M | DOUBLE CYLINDER | E06061 | 227.08 | 250.69 |
| S, 2S, 3S | CLASSROOM (Specify Handing) | E06091 | 248.44 | 279.92 |
| X, 2X, 3X | TURNPIECE ONLY | | 158.51 | 182.11 |
| MORTISE LOCK BODIES ARE PACKED 6 PER CASE | | | | |



| Standard Features | | | Series 5 • 2-3/4" Backset Series 55 • 2-1/2" Backset | |
|--|----------------------|--------|---|----------------|
| <ul style="list-style-type: none"> Backset: Series 5: 2-3/4"; Series 55: 2-1/2" Bolt throw: Stainless steel full 1" throw Case: Stamped steel .090 thick, Zinc dichromate finish Front: 1-1/4" x 8" Adjustable bevel | | |  | |
| FINISH GROUPS | | | 3, 32D | 3, 10, 10B, 32 |
| MARKS # | FUNCTION | ANSI # | | |
| T, 5T | DOUBLE CYLINDER | F16 | 421.56 | 436.17 |
| P, 5P | CYLINDER x TURNPIECE | F17 | 386.71 | 412.57 |
| S, 5S | SINGLE CYLINDER* | F18 | 356.36 | 384.46 |
| SC, 5SC | CLASSROOM* | F29 | 412.57 | 436.17 |
| MORTISE LOCK BODIES ARE PACKED 6 PER CASE | | | | |
| *NOTE: Specify handing on "S" and "SC" functions | | | | |

| OPTIONS | CODE | PRICE |
|-------------------------|------|-------|
| 1-1/16" x 7-5/8" front | T | 29 |
| 1-1/16" x 7-3/4" front | V | 29 |
| 1" x 1/16" x 8" | Q | 29 |
| Lead lined mortise lock | F1 | 352 |

MORTISE LOCKSET FUNCTIONS

| ANSI # | TYPE | MARKS FUNCTION | ANSI # | TYPE | MARKS FUNCTION | ANSI # | TYPE | MARKS FUNCTION | ANSI # | TYPE | MARKS FUNCTION |
|--------|-----------------|----------------|--------|-----------------|----------------|--------|-----------------|----------------|--------|-----------------|----------------|
| F01 | Non-Keyed | N | F10 | Single Cylinder | A | F19 | Non-Keyed | LF | F29 | Deadbolt | SC |
| F02 | Non-Keyed | L | F11 | Double Cylinder | FA | F20 | Single Cylinder | FD | F30 | Double Cylinder | WW |
| F04 | Single Cylinder | E | F12 | Single Cylinder | F | F21 | Single Cylinder | B | F31 | Non-Keyed | EX |
| F05 | Single Cylinder | J | F13 | Single Cylinder | FW | F22 | Non-Keyed | LJ | F32 | Double Cylinder | GC |
| F06 | Single Cylinder | M | F14 | Double Cylinder | C | F24 | Double Cylinder | C | F33 | Double Cylinder | FX |
| F06 | Single Cylinder | JR | F15 | Single Cylinder | H | F25 | Double Cylinder | C | F34 | Double Cylinder | FC |
| F07 | Single Cylinder | EW | F16 | Deadbolt | T | F25 | Double Cylinder | SO | F35 | Double Cylinder | AC |
| F08 | Single Cylinder | A | F17 | Deadbolt | P | F26 | Single Cylinder | GL | | | |
| F09 | Double Cylinder | G | F18 | Deadbolt | S | F27 | Auto Deadbolt | AD | | | |

| SINGLE CYLINDER FUNCTIONS | | | | |
|--|------|--------|----------------|-----|
| ANSI # | Cam | Strike | Marks Function | |
| | | | I/S | O/S |
| F04: OFFICE Latch by knob/lever either side except when outside knob/lever locked by stop-button in front; then by key outside. Auxiliary latch deadlocks latch. Inside always open. | | | | |
| | 2101 | 5036 | | E |
| F04: OFFICE Latch by knob/lever either side except when outside knob/lever locked by turn piece inside; then by key outside. Auxiliary latch deadlocks latch. Inside always open. | | | | |
| | 2105 | 5036 | | K |
| F05: CLASSROOM Latch by knob/lever either side except when outside knob/lever locked by key. When locked, latch bolt retracted by key. Inside always open. Auxiliary latch deadlocks latch. | | | | |
| | 2105 | 5036 | | J |
| F06: HOLDBACK "A" Latch by knob/lever either side except when outside knob/lever locked or unlocked by key. Auxiliary latch deadlocks latch. Inside always open. Inside knob/lever unlocks outside lever. Latch bolt can be locked in retracted position by locking inside hub. Can be used with blank outside trim. | | | | |
| | 2105 | 5036 | | JM |
| F06: HOLDBACK "B" Latch by knob/lever either side except when outside knob/lever locked or unlocked by key. Auxiliary latch deadlocks latch. Inside always open. Inside knob/lever will not unlock outside knob/lever. Latch bolt can be locked in retracted position by locking outside hub. Can not be used with blank outside trim. | | | | |
| | 2105 | 5036 | | JR |
| F07: STOREROOM Latch by knob/lever inside, key outside. Outside knob/lever always rigid. Auxiliary latch deadlocks latch. Inside always open. | | | | |
| | 2101 | 5036 | | EW |
| F08, F10: ENTRANCE Latch by knob/lever either side except when outside locked by stop-button; then by key outside, knob/lever inside. Deadbolt by key outside, turnpiece inside. Deadbolt deadlocks latch. | | | | |
| | 2102 | 9035 | | A |
| F12: DORMITORY Latch by knob/lever either side except when outside knob/lever locked by stop-button or projected deadbolt. Deadbolt by turnpiece inside. Inside knob/lever retracts latch and deadbolt simultaneously, leaving outside locked. Deadbolt deadlocks latch. | | | | |
| | 2102 | 9035 | | F |
| F13: DORMITORY Latch by knob/lever either side except when projected deadbolt locks outside knob/lever and deadlocks latch. Deadbolt and latch by key outside. Deadbolt by turnpiece inside. Inside knob/lever retracts latch and deadbolt simultaneously, automatically unlocking outside knob/lever. | | | | |
| | 2102 | 9035 | | FW |
| F15: HOTEL Inside knob/lever always free, outside rigid. Latch by knob/lever inside, key outside. (When deadbolt projected by turnpiece all keys are shut out except emergency key). Inside knob/lever retracts deadbolt and latch simultaneously. Auxiliary latch or deadbolt deadlocks latch. Indicator available. | | | | |
| | 2102 | 5035 | | H |
| F20: APARTMENT Latch by knob/lever either side except when outside locked by stop-button or projected deadbolt. Latch deadlocked by auxiliary latch or deadbolt. Deadbolt and latch by key outside. Deadbolt by turnpiece inside. Inside knob/lever retracts latch & deadbolt simultaneously, leaving outside locked. | | | | |
| | 2102 | 5035 | | FD |

| SINGLE CYLINDER FUNCTIONS | | | | |
|--|------|--------|----------------|-----|
| ANSI # | Cam | Strike | Marks Function | |
| | | | I/S | O/S |
| F21: ENTRANCE Latch by knob/lever either side. Deadbolt by key outside, turnpiece inside. Deadbolt deadlocks latch. | | | | |
| | 2102 | 9035 | | B |
| F26: INSTITUTIONAL PRIVACY Latch by knob/lever either side except when outside knob/lever locked by inside turn piece. Latch deadlocked by auxiliary latch. Key outside opens latch. When outside locked, inside knob/lever retracts latch, automatically unlocking outside knob/lever. | | | | |
| | 2101 | 5036 | | GL |
| F27: Auto Deadbolt Depressing auxiliary latch projects deadbolt and deadlocks latch. Remains locked even if auxiliary latch is extended. Inside knob/lever retracts both bolts simultaneously. When outside is locked, both bolts are retracted by override key with outside knob/lever. | | | | |
| | 2101 | 5035 | | AD |
| OFFICE VESTIBULE: Latch by knob/lever either side except when outside knob/lever locked by stop-button in front; then by key outside. | | | | |
| | 2101 | 9035 | | D |
| VESTIBULE: Latch by knob/lever inside, key outside. Outside knob/lever always rigid. | | | | |
| | 2101 | 9035 | | DW |
| DORMITORY: Latch by knob/lever inside. Outside knob/lever always rigid. Deadbolt and latch by key outside. Deadbolt by turnpiece inside. When deadbolt is projected, latch is deadlocked. Inside knob/lever retracts latch and deadbolt simultaneously. | | | | |
| | 2102 | 9035 | | FS |
| SPECIAL PRIVACY: Inside knob/lever always free, outside rigid. Latch by knob/lever inside, key outside. Deadbolt by turnpiece inside, emergency release outside. Inside knob/lever retracts deadbolt and latch simultaneously. Auxiliary latch deadlocks latch. | | | | |
| | 2102 | 5035 | | LH |
| STOREROOM: Latch by thumbpiece inside. Key outside. | | | | |
| | 2101 | 9035 | | DN |
| STOREROOM: Latch by thumbpiece or knob/lever inside. Key outside. Auxiliary latch deadlocks latch. | | | | |
| | 2101 | 5036 | | EN |
| ELECTRIFIED FUNCTIONS | | | | |
| ELECTRICALLY LOCKED (Fail Safe): Outside always locked electrically. Open by key outside, switch or loss of power. Auxiliary latch deadlocks latch. Inside always open. | | | | |
| | 2101 | 5036 | | EL |
| ELECTRICALLY UNLOCKED (Fail Secure): Outside always locked until unlocked by key or electrically energized. Auxiliary latch deadlocks latch. Inside always open. | | | | |
| | 2101 | 5036 | | EU |

Mortise Parts, Trim


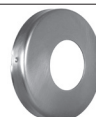
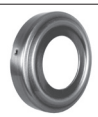




MORTISE LOCKSET FUNCTIONS

Mortise Parts, Trim

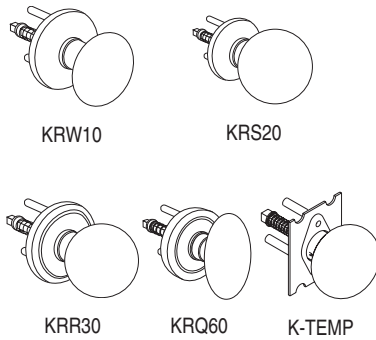
| DOUBLE CYLINDER FUNCTIONS | | | | |
|--|--------------------|--------|----------------|----|
| ANSI # | Cam | Strike | Marks Function | |
| F09: ENTRANCE Latch by knob/lever either side except when outside knob/lever locked by key inside, latch retracted by key outside. Outside remains locked. Auxiliary latch deadlocks latch. | IS 2101 2106 | 5036 | IS O/S | G |
| F11: DORMITORY Latch by knob/lever either side except when outside knob/lever locked by stop-button or projected deadbolt. Deadbolt by key either side. Inside knob/lever retracts latch and deadbolt simultaneously leaving outside locked. Deadbolt deadlocks latch. | IS 2102 | 9035 | | FA |
| F14: STOREROOM Latch by knob/lever either side. Deadbolt by key either side. Deadbolt deadlocks latch. | IS 2102 | 9035 | | C |
| F24: APARTMENT HANDLE Latch by thumbpiece either side except when outside is locked by key inside. When outside is locked, latch retracted by key outside or thumbpiece inside. Auxiliary latch deadlocks latch. | IS 2101 | 5036 | | G |
| F25: STOREROOM "B" Body Latch by thumbpiece either side. Deadbolt by key either side. | IS 2102 | 9035 | | C |
| F25: STOREROOM Latch by thumbpiece either side except when outside thumbpiece locked by stop-button in front; then by key outside. Deadbolt by key both sides. Deadbolt deadlocks latch. | IS 2102 | 9035 | | SO |
| F30: INSTITUTION Both knob/levers rigid. Auxiliary latch deadlocks latch. Latch by key either side. | IS 2101 | 5036 | | WW |
| F32: INTRUDER LATCH BOLT Latch by knob/lever either side except when outside knob/lever is locked from inside or outside by key. Latch operated by key from inside or outside. Auxiliary latch, deadlocks latch. Inside always open. | IS 2105 | 5036 | | GC |
| CLASSROOM SECURITY Latch bolt retracted by knob/lever from either side unless outside is locked by key from either side. Auxiliary latch deadlocks latch bolt when door is locked. Inside knob/lever is always free for immediate egress. | IS 2105 | 5036 | | GG |
| CLASSROOM SECURITY Latch bolt retracted by knob/lever from either side except when locked by key from either side. Auxiliary latch deadlocks latch | IS 2101 | 5036 | | GW |
| CLASSROOM SECURITY Latch by lever either side except when outside lever is locked or unlocked by key from either side. With outside locked, exterior key will retract the latch allowing the outside to remain locked. Inside always free for egress. Auxiliary latch deadlocks latch. | IS 2101 2105 | 5036 | | GJ |
| CLASSROOM SECURITY w/HOLDBACK Latch bolt retracted by knob/lever from either side unless outside is locked by key from either side. When locked, latch bolt retracted by key outside or knob/lever inside. Auxiliary latch deadlocks latch bolt when door is locked. Depress inside knob/lever and turn key 360° for holdback feature. Inside knob/lever always free for immediate egress. | IS 2101 2105 | 5036 | | GR |
| F33: DORMITORY Latch by knob/lever either side except when projected deadbolt locks outside knob/lever and deadlocks latch. Deadbolt and latch by key either side. Inside knob/lever retracts latch and deadbolt simultaneously, automatically unlocking outside knob/lever. | IS 2102 | 9035 | | FX |
| F33: DORMITORY Latch by knob/lever either side except when projected deadbolt locks outside knob/lever and deadlocks latch. Deadbolt and latch by key either side. Inside knob/lever retracts latch and deadbolt simultaneously, automatically unlocking outside knob/lever. | IS 2102 | 5035 | | FC |

| DOUBLE CYLINDER FUNCTIONS (Con't) | | | | |
|--|------------|-------------|----------------|----|
| ANSI # | Cam | Strike | Marks Function | |
| F35: STORE DOOR Latch by knob/lever either side except when outside knob/lever locked by stop-button in front; then by key outside. Deadbolt by key either side. Deadbolt deadlocks latch. | IS 2102 | 9035 | | AC |
| NON-KEYED FUNCTIONS | | | | |
| ANSI # | | Strike | Marks Function | |
| F01: PASSAGE Latch by knob/lever either side. | | 9035 | IS O/S | N |
| F02: BATHROOM* Latch by knob/lever either side. Deadbolt by turnpiece inside. Deadbolt deadlocks latch. To unlock from outside, remove emergency button, insert emergency key in access hole and turn. Optional coinkey assembly available. | | 9035 | | L |
| F19: PRIVACY* Latch by knob/lever either side except when projected deadbolt locks outside knob/lever and deadlocks latch. Deadbolt by turnpiece inside. Inside knob/lever retracts latch and deadbolt simultaneously, automatically unlocking outside knob/lever. To unlock from outside, remove emergency button, insert emergency key in access hole and turn. Optional coinkey assembly available. | | 9035 | | LF |
| F22: PRIVACY Latch by knob/lever either side except when outside knob/lever is locked by inside turnpiece. Turning inside knob/lever or closing door unlocks outside lever. To unlock from outside, remove emergency button, insert emergency key in access hole and turn. Optional coinkey assembly available. | | 9035 | | LJ |
| F31: EXIT Latch by knob/lever inside, no trim outside. Auxiliary latch deadlocks latch. None removable blank trim: F26 option | | 5036 | | EX |
| DEADBOLT FUNCTIONS | | | | |
| | Cam | | | |
| F16: DEADLOCK Deadbolt by key either side. | IS 2102 | Cam 2102 | 9035 | T |
| F17: DEADLOCK Deadbolt by key outside and turnpiece inside. | | 2102 | 9035 | P |
| F18: DEADLOCK Deadbolt by key one side only. | | 2102 | 9035 | S |
| F29: DEADLOCK Deadbolt by key outside. Inside turnpiece will retract but will not project deadbolt. | | 2102 | 9035 | SC |
| DEADBOLT Latch by knob/lever either side. Deadbolt by key either side; latch remained unlocked at all times. Note: With this function deadbolt protrusion is 13/16 | | 2102 | 9035 | CT |
| DEADBOLT FUNCTIONS | | | | |
| E06072: CYLINDER BY TURNPIECE Deadbolt by inside turnpiece or outside key. | | 2102 | | K |
| E06082: COMMUNICATING SINGLE CYLINDER* Deadbolt by key from one side only. | | 2102 | | L |
| E06062: DOUBLE CYLINDER Deadbolt by key either side. | | 2102 | | M |
| E06092: CLASSROOM Deadbolt by outside key. Turnpiece will retract but not project deadbolt. | | 2102 | | S |
| TURNPIECE Deadbolt by inside turnpiece. | | 2102 | | X |
| *PRIVACY INDICATOR AVAILABLE | | | | |

MORTISE LOCKSET PARTS RK, RL

| | | | | | | | |
|--------------|---|---|---|---|--|--|--|
| ROSES | RR: 2-9/16" dia. | RW: 2-9/16" dia. | RQ: 2-1/4" dia. | RS: 2-1/4" dia. | RX: 2-1/2" sq. | *RK: 2-1/2" sq. | *RL: 2-1/2" sq. |
| |  |  |  |  |  Wrought |  Forged |  Forged |

Knob / Rose Kits

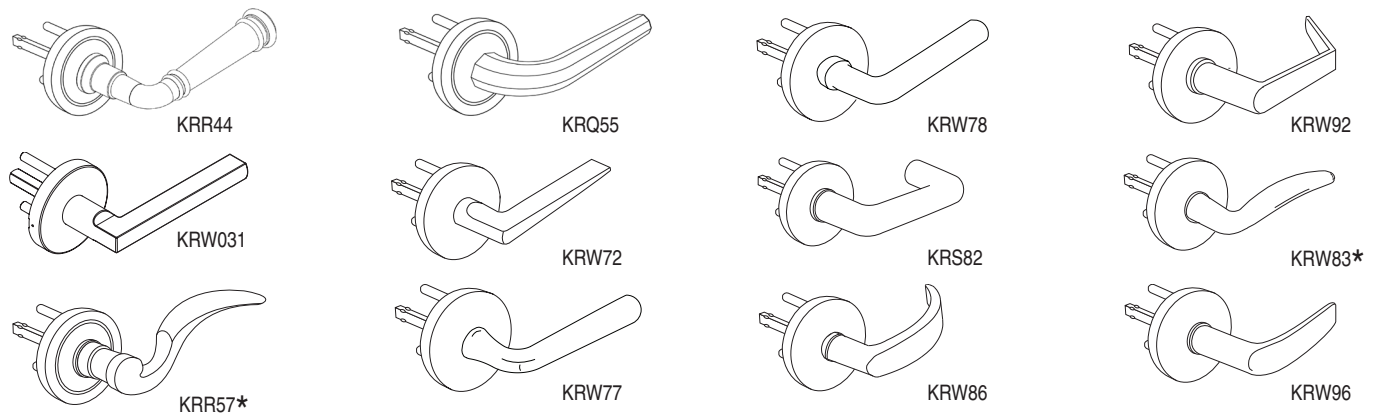


| ROSE WITH RING | PLAIN ROSE | SMALL ROSE W/RING | SMALL ROSE | DESCRIPTION | FINISH GROUPS | | | | | | |
|------------------|------------|-------------------|------------|----------------------------|---------------|--------|---------|--------|--------|--------|----------|
| | | | | | 3 | 3E | 10, 10B | 15 | 26 | 32D | ROSE RK* |
| KRR10 | KRW10 | KRQ10 | KRS10 | Round knob/ball assembly | 221.55 | — | — | — | — | 211.55 | +136.0 |
| KRR20 | KRW20 | KRQ20 | KRS20 | Ball knob/ball assembly | | | | | | | |
| KRR30 | KRW30 | KRQ30 | KRS30 | Ball knob/ball assembly | — | 239.40 | 284.55 | 311.55 | 322.35 | — | |
| KRR60 | KRW60 | KRQ60 | KRS60 | Eclipse knob/ball assembly | | | | | | | |
| NO FINISH | | | | | | | | | | | |
| K-TEMP | | | | Temporary Trim | 77.00 | | | | | | |
| K-TEMP-G3 | | | | Temporary Trim less cyl | 58.80 | | | | | | |

Complete knob/rose assemblies both sides (includes spindles).

Lever / Rose Kits

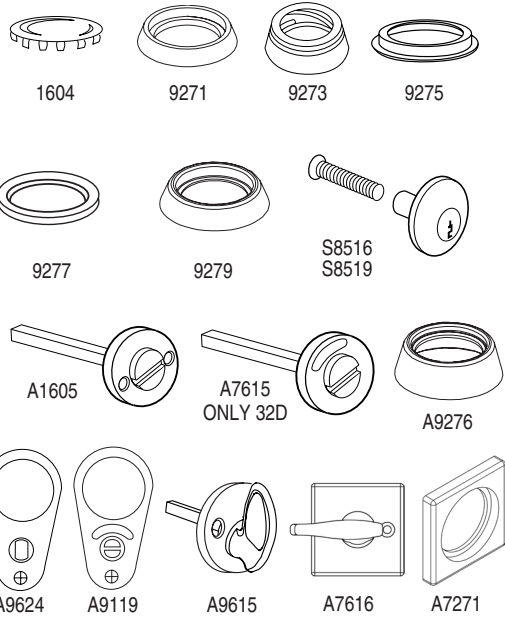
* Specify handing



| PART # | | DESCRIPTION | FINISH GROUPS | | | | | | | ROSE RK* | ROSE RL* |
|-------------------|-------------------------|--|---------------|--------|--------|--------|------------------|--------|------------------|------------------|----------|
| ROSE WITH RING RR | SMALL ROSE WITH RING RQ | | 3E | 4 | 26D | 15 | 10, 10B, 10E, 26 | 32D | | | |
| | | Complete lever/rose assemblies both sides (includes spindles). | | | | | | | | | |
| KRR44 | KRQ44 | Stanhope lever/rose kit | 240.57 | 360.86 | 360.86 | 360.86 | 360.86 | — | +111 | +36 | |
| KRR57 | KRQ57 | Monaco lever/rose kit | 240.57 | 360.86 | 360.86 | 360.86 | — | — | FOR ALL FINISHES | FOR ALL FINISHES | |
| KRR55 | KRQ55 | Brompton lever/rose kit | 240.57 | 360.86 | 360.86 | 360.86 | — | — | | | |
| | | Complete lever/rose assemblies both sides (includes spindles). | | | | | | | | | |
| PLAIN ROSE RW | SMALL ROSE RS | | | | | | | | ROSE RK * | ROSE RL: * | |
| KRW031 | KRS031 | Copa lever/rose kit | 360.86 | 360.86 | — | 360.86 | 360.86 | 360.86 | +111 | +36 | |
| KRW72 | KRS72 | Towne lever/rose kit | 360.86 | 360.86 | 360.86 | 360.86 | 409.19 | — | | | |
| KRW77 | KRS77 | Maxwell lever/rose kit | 360.86 | 360.86 | 360.86 | 360.86 | 409.19 | 366.16 | | | |
| KRW78 | KRS78 | Omni lever/rose kit | 360.86 | 360.86 | 360.86 | 360.86 | 409.19 | 366.16 | | | |
| KRW82 | KRS82 | Plaza lever/rose kit | 360.86 | 360.86 | 360.86 | 360.86 | 409.19 | 366.16 | | | |
| KRW83 | KRS83 | Dayton lever/rose kit | 360.86 | 360.86 | 360.86 | 360.86 | 409.19 | 366.16 | | | |
| KRW86 | KRS86 | Crescent lever/rose kit | 360.86 | 360.86 | 360.86 | 360.86 | 409.19 | — | | | |
| KRW92 | KRS92 | American lever/rose kit | 360.86 | 360.86 | 360.86 | 360.86 | 409.19 | 366.16 | | | |
| KRW96 | KRS96 | Titan lever/rose kit | 360.86 | 360.86 | 360.86 | 360.86 | 409.19 | 366.16 | | | |

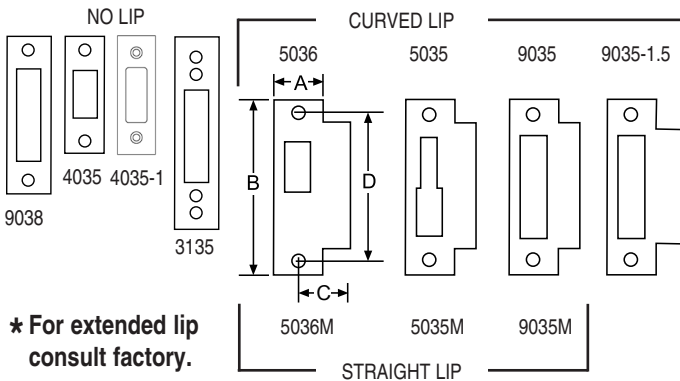
MORTISE LOCKSET PARTS

Dummy Cylinder, Collars & Turnpieces

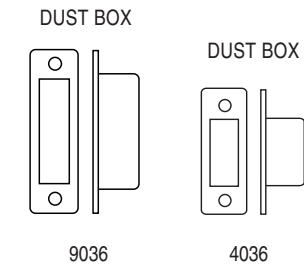


| PART # | DESCRIPTION | FINISH GROUPS | | | | | |
|--------|---|---------------|--------|--------|-------------|-------|--------|
| | | 3E | 3, 26D | 4 | 10, 10B, 26 | 32 | 32D |
| 1604 | Emergency hole cover | — | 13.18 | — | — | — | — |
| 9271 | Tapered collar, solid brass, 5/16" high | 42.19 | 29.27 | — | 31.64 | 36.29 | 31.64 |
| 9273 | Spring collar, 7/16" high | — | 19.78 | — | — | — | — |
| 9275 | Mortise spacer, wrought brass, 1/8" high | — | 11.87 | — | — | — | — |
| 9277 | Plastic spacer ring, 1/16" | 9.23 | — | — | — | — | — |
| 9279 | Tapered collar, wrought brass, 3/8" high | 29.01 | 22.41 | — | 29.01 | 25.05 | 22.42 |
| S8516 | Dummy cylinder, inside | 55.38 | 55.38 | — | 55.38 | — | — |
| S8519 | Dummy cylinder, outside | 55.38 | 55.38 | — | 55.38 | — | — |
| A1605 | Emergency coinkey | 93.61 | 85.70 | 85.70 | 85.70 | — | — |
| A7271 | Square cylinder collar, 1-3/4" x 5/16" | 56.69 | 48.78 | — | 48.78 | 48.78 | 85.70 |
| A7615 | Occupancy indicator | — | — | — | — | — | 71.20 |
| A7616 | Square Turnpiece Rose | 101.52 | 77.79 | 101.52 | 89.66 | 89.66 | 101.50 |
| A9276 | Collar, wrought brass w/insert, 1/2" high | — | 29.01 | — | 39.55 | 39.55 | 39.40 |
| A9624 | Hotel indicator plate ass'y for rose trim | 121.30 | 89.66 | — | 96.25 | — | — |
| A9119 | Occupancy indicator plate ass'y for rose trim | — | 138.44 | — | — | — | — |
| A9615 | Turnpiece | 87.02 | 61.97 | 87.02 | 73.83 | 87.02 | 73.84 |

Strikes



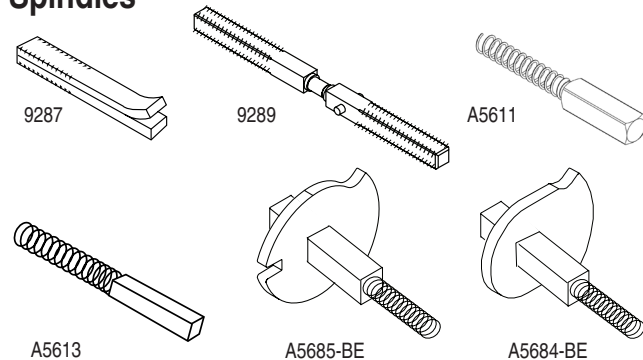
* For extended lip consult factory.



| TYPE | PART # | A | B | C* | D | FINISH GROUPS | |
|--------------|----------|-----------------------------------|--------|--------|--------|---------------|---------------------|
| | | | | | | S3 | 3, 10, 10B, 32, 32D |
| No Lip | 4035 | 1-1/8" | 3-1/8" | — | — | 11 | 19 |
| | 4035-1 | 1-1/8" | 3-1/2" | 3-1/2" | 2-1/2" | | |
| | 9038 | 1-1/8" | 4-7/8" | — | 2-1/2" | 12 | — |
| | 3135 | 1-1/4" | 4-7/8" | — | — | — | 25 |
| Curved Lip | 5035 † | 1-1/4" | 4-7/8" | 1-1/4" | 4-1/8" | — | 27 |
| | 5036 † | 1-1/4" | 4-7/8" | 1-1/4" | 4-1/8" | — | 30 |
| | 9035 | 1-1/4" | 4-7/8" | 1-1/4" | 4-1/8" | 11 | 30 |
| | 9035-1.5 | 1-1/4" | 4-7/8" | 1-1/2" | 4-1/8" | — | 42 |
| Straight Lip | 5035M † | 1-1/4" | 4-7/8" | 7/8" | 4-1/8" | — | 33 |
| | 5036M † | 1-1/4" | 4-7/8" | 7/8" | 4-1/8" | — | 33 |
| | 9035M | 1-1/4" | 4-7/8" | 7/8" | 4-1/8" | — | 33 |
| Dust Box | 9036 | Dust box for 9038 strike, plastic | | | | 11 | — |
| | 4036 | Dust box for 4035 strike, plastic | | | | 9 | — |

† Specify handing.
Extended lip strikes from 1-1/4" - 2", Add \$16.
*Extended lip strikes over 2", consult factory.

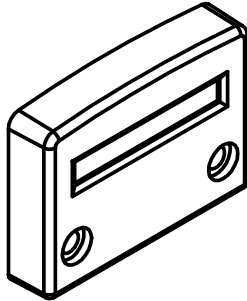
Spindles



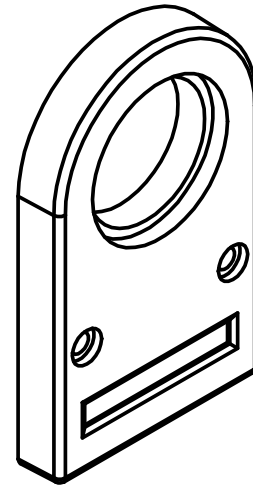
| PART # | DESCRIPTION | |
|----------|---|-------|
| 9287 | 2-1/2" LONG, HOOK SPINDLE, 2 PIECE | 20.00 |
| 9289 | 4-3/4" LONG, SWIVEL SPINDLE | 20.00 |
| A5611 | SPINDLE/SPRING ASSEMBLY FOR LEVERS, 5/16", 1" L | 20.00 |
| A5613 | SPINDLE/SPRING ASSEMBLY FOR LEVERS, 5/16", 1-5/8" L | 20.00 |
| A5685-BE | CAM/SPINDLE SPRING ASSEMBLY EXTERIOR | 33.00 |
| A5684-BE | CAM/SPINDLE SPRING ASSEMBLY INTERIOR | 33.00 |

MORTISE LOCKSET PARTS

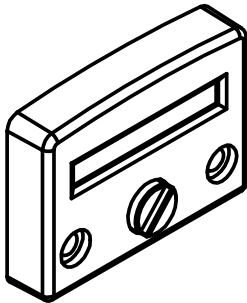
Indicators - Consult Factory For Pricing



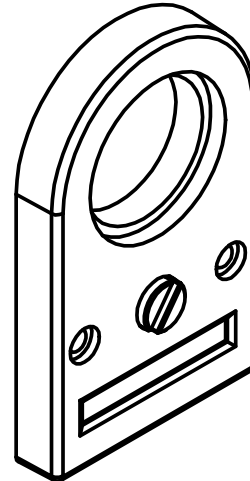
SKA200



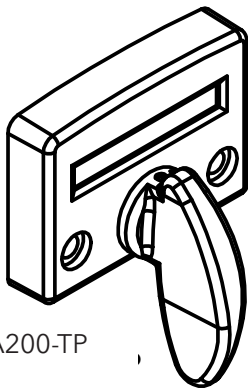
SKA200-CK



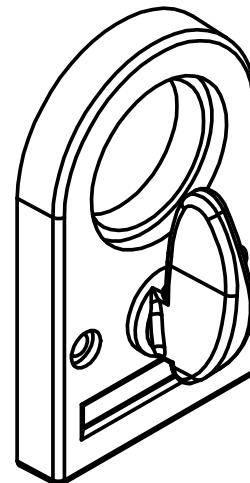
SKA210



SKA210-CK



SKA200-TP



SKA210-TP

Mortise Parts, Trim

TRIM LOCK PARTS

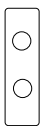
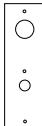
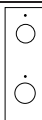

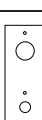
How to Order Example
for Knob & Lever Assemblies

| | | | | | |
|-------------------------|------------------------|----------|-------------------------|----------|--------------|
| DR | 02 | - | 30 | / | 15 |
| 1. Plate/Rose Design | 2. Trim Description | Dash | 3. Knob/Lever Design | Slash | 4. Finish |







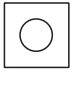
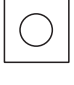
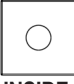
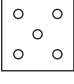
Mortise Parts, Trim

| PLATE/ROSE DESIGN | | TRIM DESCRIPTION | KNOB DESIGN | FINISH |
|-----------------------------|-----------------------------|--|-------------------------------|----------------------------------|
| <input type="checkbox"/> CL | <input type="checkbox"/> RR | <input type="checkbox"/> 01 Outside knob/lever/cylinder | <input type="checkbox"/> 10 | <input type="checkbox"/> 3 |
| <input type="checkbox"/> CP | <input type="checkbox"/> RW | <input type="checkbox"/> 02 Inside knob/lever/turnpiece | <input type="checkbox"/> 20 | <input type="checkbox"/> 4 |
| <input type="checkbox"/> CR | <input type="checkbox"/> RQ | <input type="checkbox"/> 03 Inside knob/lever/cylinder | | <input type="checkbox"/> 10 |
| <input type="checkbox"/> DR | <input type="checkbox"/> RS | <input type="checkbox"/> 04 Inside knob/lever only | | <input type="checkbox"/> 10B |
| <input type="checkbox"/> NY | <input type="checkbox"/> RX | <input type="checkbox"/> 05 Outside cylinder only | | <input type="checkbox"/> 15 |
| <input type="checkbox"/> NS | | <input type="checkbox"/> 06 Outside knob/lever /emergency coinkey | | <input type="checkbox"/> 26 |
| | | <input type="checkbox"/> 07 Outside hotel | | <input type="checkbox"/> 26D |
| | | <input type="checkbox"/> 08 Outside knob/lever only | | <input type="checkbox"/> 32D |
| | | | LEVER DESIGN | <input type="checkbox"/> Special |
| | | | <input type="checkbox"/> 44 | <input type="checkbox"/> 32 |
| | | | <input type="checkbox"/> 55 | |
| | | | <input type="checkbox"/> 57 | |
| | | | <input type="checkbox"/> 72 | |
| | | | <input type="checkbox"/> 77 | |
| | | | <input type="checkbox"/> 78 | |
| | | | <input type="checkbox"/> 82 | |
| | | | <input type="checkbox"/> 83 | |
| | | | <input type="checkbox"/> 86 | |
| | | | <input type="checkbox"/> 92 | |
| | | | <input type="checkbox"/> 96 | |
| | | | <input type="checkbox"/> 031 | |
| | | | <input type="checkbox"/> 037A | |
| | | | <input type="checkbox"/> 002 | |

TRIM LOCK PARTS

| PLATE/ROSE DESIGN | | 3 | 19 | 10 | 10B | 15 | 26D | 32D |
|-------------------|---|--------|--------|--------|--------|--------|--------|--------|
| CLASSIC CL |  | 108.11 | — | 108.11 | 108.11 | — | 109.43 | 127.89 |
| CAPITOL CP |  | 175.36 | 172.72 | 172.72 | 172.72 | — | — | 160.85 |
| CROWN CR |  | 23.73 | 253.14 | 253.14 | 253.14 | 221.50 | 221.50 | 221.50 |
| DRAKE DR |  | 267.65 | 291.38 | 291.38 | 291.38 | 267.65 | 267.65 | 276.88 |
| SCHOOL LA |  | — | — | — | — | — | — | 253.14 |



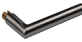













TRIM LOCK PARTS

| PLATE/ROSE DESIGN | | 3 | 19 | 10 | 10B | 15 | 26D | 32D |
|--|--|--------|--------|--------|--------|--------|--------|--------|
| NEW YORKER NY 10" PLATE |  | 61.97 | — | — | — | — | 76.47 | — |
| NEW YORKER NS 7" PLATE |  | 46.15 | — | — | — | — | 61.97 | — |
| 2-9/16" DIA. ROSE W-RING RR |  | 146.35 | 176.67 | 176.67 | 176.67 | 162.17 | 146.35 | 146.35 |
| 2-9/16" DIA. PLAIN ROSE RW |  | 146.35 | 176.67 | 176.67 | 176.67 | 162.17 | 146.35 | 146.35 |
| 2-1/4" DIA. SMALL ROSE W-RING RQ |  | 146.35 | 176.67 | 176.67 | 176.67 | 162.17 | 146.35 | 146.35 |
| 2-1/4" DIA. SMALL ROSE RS |  | 146.35 | 176.67 | 176.67 | 162.17 | 162.17 | 146.35 | 146.35 |
| 2-1/2" SQ. SQUARE ROSE RX |  | 146.35 | 176.67 | 176.67 | 176.67 | 162.17 | 146.35 | 146.35 |
| 2-1/2" SQ. SQUARE ROSE RK |  | 245.23 | 272.92 | 272.92 | 272.92 | 259.74 | 245.23 | 245.23 |
| SQUARE TURNPIECE ROSE A7616 | OUTSIDE  | 250.51 | 288.74 | 288.74 | 288.74 | 288.74 | 261.06 | 261.06 |
| | INSIDE | 80.43 | 89.66 | 89.66 | 89.66 | 89.66 | 89.66 | 89.66 |
| 2-1/2" SQ. SQUARE ROSE RL |  | 261.06 | 288.74 | 288.74 | 288.74 | 288.74 | 261.06 | 261.06 |

TRIM LOCK PARTS

Knob / Lever Design

Mortise Parts, Trim

| KNOB/LEVER | | | FINISH GROUPS | | | | | | | | |
|--------------------|---|------|---------------|--------|--------|--------|--------|--------|--------|--------|--------|
| | | | 3 | 19 | 4 | 10 | 10B | 15 | 26 | 26D | 32D |
| ROUND KNOB |  | 10 | 130.53 | — | — | 159.53 | 159.53 | — | 159.53 | 159.53 | 130.52 |
| BALL KNOB |  | 20 | 130.53 | — | — | 159.53 | 159.53 | — | 159.53 | 159.53 | 130.53 |
| METROPOLITAN LEVER |  | 002 | 221.50 | 266.33 | 266.33 | 292.70 | 292.70 | 266.33 | 292.70 | 266.33 | 278.20 |
| COMMERCE LEVER |  | 037A | 221.50 | 266.33 | 266.33 | 292.70 | 292.70 | 266.33 | 292.70 | 266.33 | 278.20 |
| LUCIDA LEVER |  | 47C | — | 266.33 | 266.33 | 292.70 | 292.70 | 266.33 | 292.70 | 266.33 | 261.06 |
| COPA LEVER |  | 031 | 221.50 | 266.33 | 266.33 | 292.70 | 292.70 | 266.33 | 292.70 | 266.33 | — |
| MONACO LEVER |  | 57 | 266.33 | 266.33 | 266.33 | 292.70 | 292.70 | 266.33 | 292.70 | 266.33 | — |
| BROMPTON LEVER |  | 55 | 266.33 | 266.33 | 266.33 | 292.70 | 292.70 | 266.33 | 292.70 | 266.33 | — |
| TOWNE LEVER |  | 72 | 221.50 | 266.33 | 266.33 | 292.70 | 292.70 | 266.33 | 292.70 | 266.33 | — |
| MAXWELL LEVER |  | 77 | 221.50 | 266.33 | 266.33 | 292.70 | 292.70 | 266.33 | 292.70 | 266.33 | 261.06 |
| OMNI LEVER |  | 78 | 221.50 | 266.33 | 266.33 | 292.70 | 292.70 | 266.33 | 292.70 | 266.33 | — |
| PLAZA LEVER |  | 82 | 221.50 | 266.33 | 266.33 | 292.70 | 292.70 | 266.33 | 292.70 | 266.33 | 261.06 |
| DAYTON LEVER |  | 83 | 221.50 | 266.33 | 266.33 | 292.70 | 292.70 | 266.33 | 292.70 | 266.33 | 266.33 |
| CRESCENT LEVER |  | 86 | 221.50 | 266.33 | 266.33 | 292.70 | 292.70 | 266.33 | 292.70 | 266.33 | 261.06 |
| AMERICAN LEVER |  | 92 | 221.50 | 266.33 | 266.33 | 292.70 | 292.70 | 266.33 | 292.70 | 266.33 | 261.06 |
| TITAN LEVER |  | 96 | 221.50 | 266.33 | 266.33 | 292.70 | 292.70 | 266.33 | 292.70 | 266.33 | 261.06 |

How To Order CYLINDRICAL LOCKSETS


| How To Order Example for Cylindrical Locksets | | | | | |
|---|------------------------------|--------------|----------------------|-------------|-----------------------|
| 195 | N | / | 26D | — | G3 |
| <i>1. Lockset Series</i> | <i>2. Marks Function</i> | <i>Slash</i> | <i>3. Finish</i> | <i>Dash</i> | <i>4. Options</i> |

| 1 | SERIES |
|-----------------------|---|
| Cylindrical Locksets: | 110, 110R, 210, 210R, 175, 175R, 195, 195R, 295, 295R, 495, 495R |

| 2 | CYLINDRICAL FUNCTIONS | | |
|-------------------|------------------------------|-----------------------------|----------|
| MARKS # | FUNCTION | ANSI | |
| # | | | |
| N | — | PASSAGE | F75 |
| L | — | PRIVACY | F76 |
| LK | — | HOSPITAL/PRIVACY | F76 MOD. |
| P | — | PATIO | F77 |
| DC | RDC | COMMUNICATING | F80 |
| A | RA | ENTRY | F81 |
| B | RB | ENTRY | F82A |
| AQ | — | EXIT | F83 |
| S | RS | CLASSROOM | F84 |
| F | RF | STOREROOM | F86 |
| DW | RDW | INSTITUTION | F87 |
| DA | RDA | VESTIBULE | F88 |
| FQ | — | EXIT | F89 |
| T | RT | CORRIDOR | F90 |
| TK | — | HOSPITAL/PRIVACY | F90 MOD. |
| GB | RGB | STORE DOOR (95 SERIES ONLY) | F91 |
| BS | — | SERVICE STATION LOCK | F92 |
| H | — | HOTEL | F93 |
| AB | RAB | ENTRANCE | F109 |
| DB | RDB | CLASSRM. INTRUDER | F110 |
| NB | — | COMMUNICATING PASSAGE | F111 |
| FB | — | COMMUNICATING STOREROOM | F112 |
| SB | RSB | COMMUNICATING CLASSROOM | F113 |
| FEL | RFEL | ELECTRONICALLY LOCKED | |
| FEU | RFEU | ELECTRONICALLY UNLOCKED | |
| DUMMY TRIM | | | |
| DO | — | DUMMY TRIM OUTSIDE | |
| DT | — | FULL DUMMY | |

| 4 | OPTIONS | | |
|--|----------------|-------------|--------------|
| TRIM MODIFICATIONS | | CODE | PRICE |
| Tactile knob/lever, coated ext. only | | A1 | 65 |
| Tactile knob/lever, knurled | | A4 | 65 |
| Tactile knob/lever, coated int. & ext. | | A18 | 132 |
| DOOR THICKNESS | | CODE | PRICE |
| 2" (50 mm) | | D1 | NC |
| 2-1/4" (57mm) | | D2 | 81 |
| Over 2-3/8" - 4" | | D9 | 700 |
| LATCH | | CODE | PRICE |
| 2-3/4" backset, 1-1/8" x 2-1/4" face | | E4 | NC |
| 2-3/8" backset, 1" x 2-1/4" face | | E6 | NC |
| 5" backset, 9/16" throw, Gr. 1 | | E9 | 50 |
| 3-3/4" backset, 9/16" throw, Gr. 1 | | E10 | 50 |
| 2-3/8" backset, 1-1/8" x 2-1/4" face | | E11 | 15 |
| 2-3/4" backset, 1" x 2-1/4" face | | E12 | 15 |
| TRIM CHANGES | | CODE | PRICE |
| Yale conventional | | F7 | 25 |
| Sargent conventional cylinder | | F8 | 25 |
| Corbin conventional cylinder | | F9 | 25 |
| Corbin 6 pin IC core | | F12 | 37 |
| Corbin 7 pin IC core | | F13 | 37 |
| Yale 6 pin IC core | | F14 | 25 |
| Yale 7 pin IC core | | F15 | 25 |
| Schlage 6 pin IC core | | F19 | 25 |
| Sargent IC core | | F20 | 25 |
| Medeco IC core large format | | F21 | 25 |
| CYLINDER | | CODE | PRICE |
| Special optional keyway | | G2 | 40 |
| Less cylinder | | G3 | Deduct 17 |
| STRIKE | | CODE | PRICE |
| 4-7/8" ASA strike | | S1 | 15 |
| 2-3/4" "T" strike | | S3 | NC |

10 LINE GRADE 2 CYLINDRICAL KNOBSETS

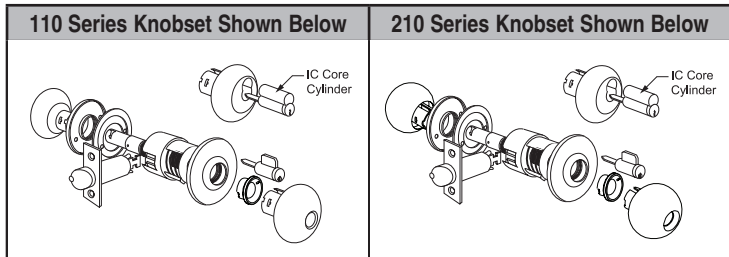
| | | | | | | | |
|---|---------------|--|--------|---------------|---|--|--|
| BHMA CERTIFIED | | ANSI-A156.2 • Grade 2 Plus 3 Hour Fire Rating | | UL LISTED | | Series 110/110R • 2-3/8" Backset Series 210/210R • 2-3/8" Backset | |
| 10 Series Knobsets Shown Below | | | | | Standard Features | | |
|  | | | | | <ul style="list-style-type: none"> • Backset: 2-3/8" • Latch #1138, Front: 1" x 2-1/4"; Throw: 1/2"; Stainless steel nose • Knobs: 2-1/4" dia. (110) round; 2-3/16" dia. (210) ball • Roses: Adjustable both sides; Steel reinforced 2-3/4" dia. • Strike: #1136, 2-3/4" "T" strike • Door thickness: 1-5/8" to 1-7/8" • Cylinder: MARKS "C" keyway, 6 pin w/ 2 keys | | |
| MARKS # | | | | FINISH GROUPS | | | |
| COMM. CYL. | IC CORE CYL.* | FUNCTION | ANSI # | 3, 32D | 10, 10B, 32 | | |
| N | — | PASSAGE | F75 | 169.75 | 216.96 | | |
| L | — | PRIVACY | F76 | 203.47 | 248.44 | | |
| P | — | PATIO | F77 | 203.47 | 251.81 | | |
| DC | RDC | COMMUNICATING | F80 | 272.05 | 318.14 | | |
| A | RA | ENTRY | F81 | 240.57 | 285.54 | | |
| B | RB | ENTRY | F82A | 240.57 | 285.54 | | |
| AB | RAB | ENTRY | F109 | 240.57 | 285.54 | | |
| AQ | — | EXIT | F83 | 224.83 | 269.80 | | |
| S | RS | CLASSROOM | F84 | 240.57 | 285.54 | | |
| F | RF | STOREROOM | F86 | 240.57 | 285.54 | | |
| DW | RDW | INSTITUTION | F87 | 273.17 | 319.26 | | |
| DA | RDA | VESTIBULE | F88 | 273.17 | 319.26 | | |
| FQ | — | EXIT | F89 | 224.83 | 269.80 | | |
| DO | — | DUMMY TRIM OUTSIDE | — | 177.62 | 200.10 | | |
| DT | — | FULL DUMMY TRIM | — | 186.61 | 230.45 | | |
| NB | — | COMMUNICATING PASSAGE | F111 | 182.11 | 204.60 | | |
| FB | RFB | COMMUNICATING STOREROOM | F112 | 255.18 | 282.16 | | |
| SB | RSB | COMMUNICATING CLASSROOM | F113 | 255.18 | 282.16 | | |

KNOBSETS ARE PACKED 12 PER CASE

NOTE: Split designs and/or finishes are priced at the highest design and/or finish • Special finishes, consult factory

- IC Core Models: Tailpieces included, core not included
- ❖ IC Core Models in US3 Finish: Add \$42.00 to list price

| OPTIONS | CODE | PRICE |
|---|------|-----------|
| For 2" doors | D1 | NC |
| For 2-1/4" doors | D2 | 81 |
| 2-3/4" backset, 1-1/8" x 2-1/4" face | E4 | NC |
| 2-3/4" backset, 9/16" throw, Gr. 1, UL Listed | E7 | 117 |
| 3-3/4" backset, 9/16" throw, Gr. 1 | E10 | 117 |
| Less cylinder | G3 | Deduct 17 |
| 4-7/8" ASA strike with curved lip | S1 | 15 |



★ **Standard & HI-SECURITY™ IC Core Models:** 
 Interchangeable Core models for 6 or 7 pin cores (not included).
Accepts: Marks, Marks HI-SECURITY™, Medeco®, KeyMark™, Falcon, Schlage® small format & Best®. **IC Core Tailpieces ARE Included.**

95 LINE GRADE 1 CYLINDRICAL SURVIVOR LEVERSETS

| | | | | |
|--|--|---|--|--|
| | | ANSI-A156.2 • Grade 1 3 Hour Fire Rating | | SURVIVOR SERIES Series 195/195R, 295/295R, 495/495R • 2-3/4" Backset |
|--|--|---|--|--|

| | |
|---------------------------------|---|
| 95 Series Leversets Shown Below | Standard Features |
| | <ul style="list-style-type: none"> • Backset 2-3/4" • Latch #1834, Front: 1-1/8" x 2-1/4"; Throw: 9/16"; Stainless steel nose • Levers: Solid cast Zamac; w/ 1/2" return (except 395 & 495) • Roses: Thru-bolted, 3-7/16" dia., spring loaded 2-#10 thru-bolts • Strike: #1135, 4-7/8" ASA curved lip strike • Door thickness: 1-5/8" to 1-7/8"; For 1-3/8" door use K1904 spacer • Cylinder: MARKS "C" keyway, 6 pin w/ 2 keys |

| MARKS # | | FUNCTION | ANSI # | FINISH GROUPS | |
|------------|---------------|-------------------------|----------|---------------|----------------|
| COMM. CYL. | IC CORE CYL.* | | | 3, 26D | 4, 10, 10B, 26 |
| N | — | PASSAGE | F75 | 481.14 | 574.45 |
| L | — | PRIVACY | F76 | 508.12 | 607.05 |
| LK | — | HOSPITAL/PRIVACY | F76 MOD. | 541.85 | 638.52 |
| P | — | PATIO | F77 | 502.50 | 600.30 |
| DC | RDC | COMMUNICATING | F80 | 584.44 | 677.87 |
| A | RA | ENTRY | F81 | 529.48 | 626.16 |
| B | RB | ENTRY | F82A | 529.48 | 626.16 |
| AB | RAB | ENTRY | F109 | 529.48 | 626.16 |
| AQ | — | EXIT | F83 | 513.74 | 612.67 |
| S | RS | CLASSROOM | F84 | 529.48 | 626.16 |
| F | RF | STOREROOM | F86 | 529.48 | 626.16 |
| DW | RDW | INSTITUTION | F87 | 583.44 | 667.87 |
| DA | RDA | VESTIBULE | F88 | 583.44 | 677.87 |
| FQ | — | EXIT | F89 | 513.74 | 612.67 |
| T | RT | CORRIDOR | F90 | 541.85 | 638.52 |
| TK | — | HOSPITAL/PRIVACY | F90 MOD. | 504.50 | 600.30 |
| GB | RGB | STORE DOOR | F91 | 719.46 | 784.66 |
| BS | RBS | SERVICE STATION LOCK | F92 | 541.85 | 638.52 |
| H | — | HOTEL | F93 | 595.81 | 690.23 |
| DB | RDB | CLASSROOM INTRUDER | F110 | 643.02 | 740.82 |
| DO | — | DUMMY TRIM OUTSIDE | — | 299.03 | 393.46 |
| DT | — | FULL DUMMY TRIM | — | 427.18 | 523.86 |
| NB | — | COMMUNICATING PASSAGE | F111 | 454.16 | 548.59 |
| FB | RFB | COMMUNICATING STOREROOM | F112 | 533.98 | 618.29 |
| SB | RSB | COMMUNICATING CLASSROOM | F113 | 533.98 | 618.29 |
| FEL | RFEL | ELECTRICALLY LOCKED* | — | 773.42 | 871.22 |
| FEU | RFEU | ELECTRICALLY UNLOCKED* | — | 773.42 | 871.22 |



Marks USA Antimicrobial Finish Available - Option Code: AM - Add \$40 **LEVERS ARE PACKED 6 PER CASE**
 NOTE: Split designs and/or finishes are priced at the highest design and/or finish • Special finishes, consult factory
 *ELECTRIFIED FUNCTIONS: 100% Duty Cycle 24V AC/DC, supplied with bridge rectifier : EU - 210 ma; EL - 125 ma • IC Core Models: Tailpieces included, core not included

| OPTIONS | CODE | PRICE - 195 | 295 | 495 |
|--|------|-------------|-----|-----|
| For 2" doors | D1 | NC | — | — |
| For 2-1/4" doors | D2 | 81 | 81 | 81 |
| Over 2-1/4" - 4" thickness | D9 | 700 | 700 | 700 |
| 2-3/8" backset, 1" x 2-1/4" face | E6 | NC | NC | NC |
| 5" backset, 9/16" throw, Gr. 1 | E9 | 50 | 50 | 50 |
| 3-3/4" backset, 9/16" throw, Gr. 1 | E10 | 50 | 50 | 50 |
| Less cylinder | G3 | Deduct 17 | -17 | -17 |
| 2-3/4" "T" strike | S3 | NC | NC | NC |
| AMERICAN LEVER ONLY Accepts: | | | | |
| Yale conventional cylinder | F7 | 25 | 25 | — |
| Sargent conventional cylinder | F8 | 25 | 25 | — |
| Corbin conventional cylinder | F9 | 25 | 25 | — |
| Corbin 6 pin IC core | F12 | 37 | 37 | — |
| Corbin 7 pin IC core | F13 | 37 | — | — |
| Yale 6 pin IC core | F14 | 25 | 25 | — |
| Yale 7 pin IC core | F15 | 25 | — | — |
| Schlage 6 pin IC core | F19 | 25 | 25 | — |
| Sargent IC core | F20 | 25 | 25 | — |
| AMERICAN & CRESCENT LEVER ONLY Accepts: | | | | |
| Medeco IC core large format | F21 | 25 | 25 | — |

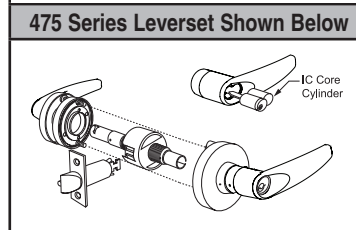
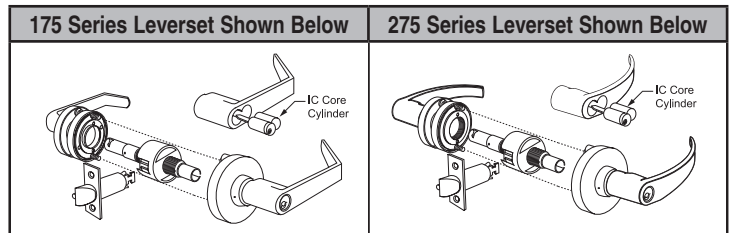
| | |
|---------------------------------|---------------------------------|
| 195 Series Leverset Shown Below | 295 Series Leverset Shown Below |
| | |
| 495 Series Leverset Shown Below | |
| | |

*** Standard & HI-SECURITY™ IC Core Models:** Interchangeable Core models for 6 or 7 pin cores (not included). **Accepts:** Marks, Marks HI-SECURITY™, Medeco®, KeyMark™, Falcon, Schlage® small format & Best®. **IC Core Tailpieces ARE Included.**

75 LINE GRADE 2 CYLINDRICAL SURVIVOR LEVERSETS

| | | | | | | | |
|---|----------------------|---|--|--|--|--------------------------|--|
| BHMA CERTIFIED | |  | ANSI-A156.2 • Grade 2 Plus 3 Hour Fire Rating |  | SURVIVOR SERIES Series 175/175R, 275/275R, 475/475R • 2-3/4" Backset | | |
| 75 Series Leverset Shown Below | | | | Standard Features | | | |
|  | | | | <ul style="list-style-type: none"> • Backset: 2-3/4" • Latch #1134, Front: 1-1/8" x 2-1/4"; Throw: 1/2"; Stainless steel nose • Levers: Solid cast Zamac; w/ 1/2" return (except 475) • Roses: Thru-bolted, 3-1/4" dia., spring loaded 2-#10 thru-bolts • Strike: #1145, ASA strike • Door thickness: 1-5/8" to 1-7/8"; <i>For 1-3/8" door use K1904 spacer</i> • Cylinder: MARKS "C" keyway, 6 pin w/ 2 keys | | | |
| MARKS # | | FUNCTION | ANSI # | 175 | 275, 475 | 175, 275, 475 | |
| COMM. CYL. | IC CORE CYL.* | | | 26D | 26D | 3, 4, 10, 10B, 26 | |
| N | — | PASSAGE | F75 | 216.43 | 234.82 | 257.55 | |
| L | — | PRIVACY | F76 | 260.79 | 280.27 | 301.95 | |
| P | — | PATIO | F77 | 232.66 | 252.14 | 273.78 | |
| DC | RDC | COMMUNICATING | F80 | 308.41 | 327.89 | 349.53 | |
| A | RA | ENTRY | F81 | 260.79 | 280.27 | 301.92 | |
| B | RB | ENTRY | F82A | 260.79 | 280.27 | 301.92 | |
| AB | RAB | ENTRY | F109 | 260.79 | 280.27 | 301.92 | |
| AQ | — | EXIT | F83 | 249.97 | 268.37 | 301.92 | |
| S | RS | CLASSROOM | F84 | 260.79 | 280.27 | 301.92 | |
| F | RF | STOREROOM | F86 | 260.79 | 280.27 | 301.92 | |
| DW | RDW | INSTITUTION | F87 | 312.74 | 334.38 | 357.10 | |
| DA | RDA | VESTIBULE | F88 | 314.90 | 334.38 | 357.10 | |
| FQ | — | EXIT | F89 | 249.27 | 268.37 | 301.92 | |
| T | RT | CORRIDOR | F90 | 272.70 | 292.18 | 313.82 | |
| BS | RBS | SERVICE STATION LOCK | F92 | 272.70 | 292.18 | 313.82 | |
| H | — | HOTEL | F93 | 330.05 | 348.45 | 371.17 | |
| DO | — | DUMMY TRIM OUTSIDE | — | 88.17 | 107.13 | 130.94 | |
| DT | — | FULL DUMMY TRIM | — | 180.72 | 199.11 | 221.84 | |
| NB | — | COMMUNICATING PASSAGE | F111 | 187.37 | 205.61 | 221.84 | |
| FB | RFB | COMMUNICATING STOREROOM | F112 | 273.78 | 283.52 | 295.42 | |
| SB | RSB | COMMUNICATING CLASSROOM | F113 | 273.78 | 283.52 | 281.36 | |

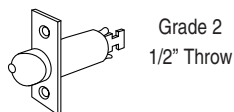
| OPTIONS | CODE | PRICE - 175 | 275 | 475 |
|--|------|-------------|-----|-----|
| 2-3/8" backset, 1" x 2-1/4" face | E6 | NC | NC | NC |
| 2-3/4" backset, 9/16" throw, Gr. 1, UL Listed | E7 | — | — | — |
| 5" backset, 9/16" throw, Gr. 1 | E9 | 50 | 50 | 117 |
| 3-3/4" backset, 9/16" throw, Gr. 1 | E10 | 50 | 50 | 117 |
| Less cylinder | G3 | Deduct 17 | -17 | -17 |
| 2-3/4" T strike | S3 | NC | NC | NC |
| AMERICAN LEVER ONLY Accepts: | | | | |
| Yale conventional cylinde | F7 | 25 | 25 | — |
| Sargent conventional cylinder | F8 | 25 | 25 | — |
| Corbin conventional cylinder | F9 | 25 | 25 | — |
| Corbin 6 pin IC core | F12 | 37 | 37 | — |
| Corbin 7 pin IC core | F13 | 37 | — | — |
| Yale 6 pin IC core | F14 | 25 | 25 | — |
| Yale 7 pin IC core | F15 | 25 | 25 | — |
| Schlage 6 pin IC core | F19 | 25 | 25 | — |
| Sargent IC core | F20 | 25 | 25 | — |
| AMERICAN & CRESCENT LEVER ONLY Accepts: | | | | |
| Medeco IC core large format | F21 | 25 | 25 | — |



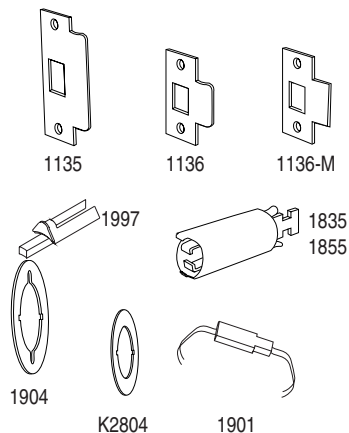
*** Standard & HI-SECURITY™ IC Core Models:** Interchangeable Core models for 6 or 7 pin cores (not included). **Accepts:** Marks, Marks HI-SECURITY™, Medeco®, KeyMark™, Falcon, Schlage® small format & Best®. **IC Core Tailpieces ARE Included.**

CYLINDRICAL LOCK ACCESSORIES

Latches, Strikes, Etc.



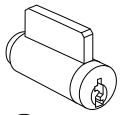
| LATCH | THROW | Backset: 2-3/8" Front: 1" x 2-1/4" | Backset: 2-3/4" Front: 1-1/8" x 2-1/4" | FUNCTION | FINISH GROUPS | | |
|---------|-------|---------------------------------------|---|----------|---------------|--------|---------|
| | | | | | 26D | 3, 32D | 10, 10B |
| GRADE 2 | 1/2" | 1138A | 1134A | ENTRANCE | — | 59.33 | 72.52 |
| | | 1138L | 1134L | PRIVACY | — | 43.51 | 59.33 |
| | | 1138N | 1134N | PASSAGE | — | 43.51 | 59.33 |
| | | 1138P | 1134P | PATIO | — | 59.33 | 72.52 |
| GRADE 1 | 9/16" | — | 1834A | ENTRANCE | — | 121.30 | 131.85 |
| | | — | 1834L | PRIVACY | — | 101.52 | 121.30 |
| | | — | 1834N | PASSAGE | — | 101.52 | 121.30 |
| | | — | 1834P | PATIO | — | 101.52 | 121.30 |



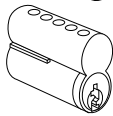
| PART | # | DESCRIPTION | FINISH GROUPS | |
|--|--------|--|---------------|---------|
| | | | 3, 32D | 10, 10B |
| STRIKES | 1135 | 4-7/8" ASA strike, curved lip | 30.32 | 30.32 |
| | P1136 | 2-3/4" "T" strike w/dust box, curved lip | 18.46 | 29.01 |
| | 1136-M | 2-3/4" "T" strike w/dust box, straight lip | 19.78 | 30.32 |
| SURVIVOR SERIES ALUMINUM SPACER RINGS | K1904 | For 1-3/8" door (2 per set), 3-7/16" dia. | 52.74 | 65.92 |
| KNOB SPACER RINGS | K2804 | For 1-3/8" door (2 per set), 2-3/4" dia. | 52.74 | 67.24 |
| PART | # | DESCRIPTION | NO FINISH | |
| EXTENSION LINK <i>For use with 2-3/4" Grade 1 backset latch</i> | 1835 | 3-3/4" | 43.51 | |
| | 1855 | 5" | | |
| | 1855-P | 5" (Grade 1; L, P functions only) | | |
| BRIDGE RECTIFIER | 1901 | Bridge rectifier 24 V AC/DC (no finish) | 65.92 | |
| CYLINDER RETAINER | 1997 | Lever handle cylinder retainer | 7.94 | |
| INSTALLATION TOOL | J295 | 175/195 installation drill jig | 253.14 | |

CYLINDRICAL LOCK ACCESSORIES

Cylinders



Conventional Cylinder



IC Core Cylinder
(Will Fit Best® Housings)

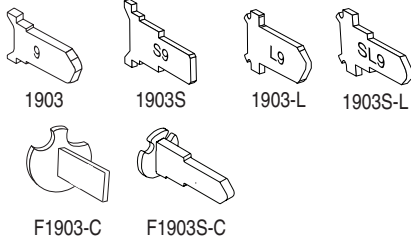
**FOR
KEYS & KEYING,
SEE PAGE
68**

Specify Tailpiece; *Tailpiece Not Included.*

| PART # | DESCRIPTION | PRICE |
|----------|-------------------------------|-------|
| 1982 | 6 Pin, w/2 nickel-silver keys | 46.00 |
| R1182 | 6 Pin core, uncombined | 58.00 |
| * R1183 | 7 Pin core, uncombined | 58.00 |
| * RA1182 | 6 Pin core, combined | 58.00 |
| * RA1183 | 7 Pin core, combined | 86.00 |
| * RC1182 | 6 Pin core, construction core | 6100 |
| * RC1187 | Plastic core turnknob | 11.00 |

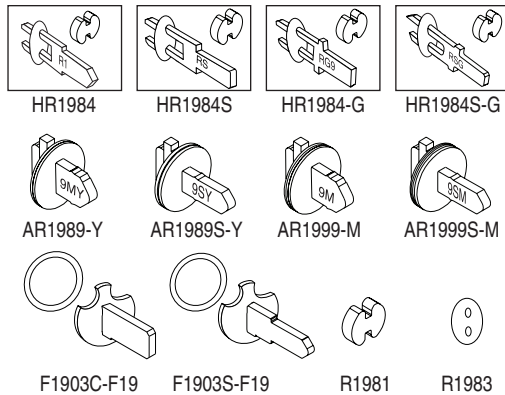
* Consult Factory on pricing of IC Cores when ordered with Locksets.

Cylindrical Lock Tailpieces



| PART # | CODE | FUNCTION | CYLINDER | PRICE |
|----------|------|-----------------------------------|---|-------|
| 1903 | 9 | AB, B, DA (ext.), DW, F, FEL, FEU | MARKS 1982 | 10.00 |
| 1903S | S9 | S, DA (int.), DB, DC, SB, T | | |
| 1903-L | L9 | AB, B, DA (ext.), DW, F, FEL, FEU | Arrow PK 100C, Ilco 705, Lori 1539, Sargent 13-3266, Abloy, ASSA 65673, 65691 | 10.00 |
| 1903S-L | SL9 | S, DA (int.), DB, DC, SB, T | | |
| F1903-C | — | AB, B, DA (ext.), DW, F, FEL, FEU | Schlage 23-001, Primus, Corbin-Russwin 2000-034 | 10.00 |
| F1903S-C | — | S, DA (int.), DB, DC, SB, T | | |

Cylindrical IC Core Tailpieces



For Keying information see Pages 68

| PART # | CODE | FUNCTION | CORE | PRICE |
|------------|------|-----------------------------------|--|-------|
| HR1984 | R1 | AB, B, DA (ext.), DW, F, FEU, FEL | 6 or 7 pin Marks, KSP, Best®, Falcon, Medeco®, Keymark®, Sargent®, Schlage® Small Format | 10.00 |
| HR1984S | RS | S, DA (int.), DB, DC, SB, T | | |
| HR1984-G | RG9 | AB, B, DA (ext.), DW, F, FEU, FEL | 6 or 7 pin Corbin | 10.00 |
| HR1984S-G | RSG | S, DA (int.), DB, DC, SB, T | | |
| AR1989-Y | 9MY | AB, B, DA (ext.), DW, F, FEU, FEL | 6 or 7 pin Yale | 12.00 |
| AR1989S-Y | 9SY | S, DA (int.), DB, DC, SB, T | | |
| AR1999-M | 9M | AB, B, DA (ext.), DW, F, FEU, FEL | Medeco® | 12.00 |
| AR1999S-M | 9SM | S, DA (int.), DB, DC, SB, T | Medeco® | 12.00 |
| F1903C-F19 | — | AB, DW, F | 6 pin Schlage® Large Format | 12.00 |
| F1903S-F19 | — | S, DA, DB, DC, SB, T | | |
| R1981 | | Spacer | | 10.00 |
| R1983 | | Security Disc | | 10.00 |

| TAILPIECES FOR 195BH | | |
|----------------------|----------------------------|---------------|
| P/N | FITS | OPTION CODE |
| MH119 | YALE / MEDECO IC CORE | F14, F15, F21 |
| MH140 | CONVENTIONAL (K.I.L.) CYL | N/A |
| MH144 | BEST | R, F20 |
| MH146 | CORBIN IC | F12, F13 |
| MH1903S-C | SCHLAGE IC / CORBIN K.I.L. | F19, F9 |




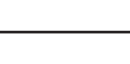









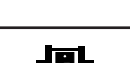
CYLINDRICAL KNOB/LEVER FUNCTIONS



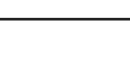


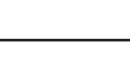







| ANSI# CODE | MARKS FUNCTION |
|------------|----------------|
| F75 |N |
| F76 |L |
| F76 (MOD.) |LK |
| F77 |P |
| F80 |DC |
| F81 |A |

| ANSI# CODE | MARKS FUNCTION |
|------------|----------------|
| F82A |B |
| F83 |AQ |
| F84 |S |
| F86 |F |
| F87 |DW |
| F88 |DA |

| ANSI# CODE | MARKS FUNCTION |
|-------------------------------|----------------|
| F89 |FQ |
| F90 |T |
| F90 (MOD.) |TK |
| F91 (95 Series Leverset ONLY) | GB |
| F92 |BS |
| F93 |H |

| ANSI# CODE | MARKS FUNCTION |
|------------|----------------|
| F109 |AB |
| F110 |DB |
| F111 |NB |
| F112 |FB |
| F113 |SB |

| ANSI # CODE | Marks Function | |
|---|---|-----|
| | I/S | O/S |
| F75 PASSAGE: Latch by knob/lever either side. |  | N |
| F76 PRIVACY: Latch by knob/lever either side unless outside knob/lever locked by push-button from inside. Outside unlocks by turning inside knob/lever, outside emergency turn or closing door. |  | L |
| F76 (MOD.) HOSPITAL/PRIVACY: Latch by knob/lever either side unless outside knob/lever locked by push-button from inside. Outside unlocks by turning inside knob/lever, outside turn or closing door. Emergency turn-knob A5 option. |  | LK |
| F77 PATIO: Deadlocking latch by knob/lever either side unless outside knob/lever locked by push-button inside. Unlocks by turning inside knob/lever or closing door. |  | P |
| F80 COMMUNICATING: Key both sides. Locks or unlocks either knob/lever independent of the other. Deadlocking latch. |  | DC |
| F81 ENTRY: Deadlocking latch bolt by knob/lever either side except when outside locked by turn-button inside. When outside locked, key outside or knob/lever inside opens lock. Turn-button operated manually. |  | A |
| F82A ENTRY: Deadlocking latch by knob/lever either side. Outside locked by push-button inside. When outside locked by push-button inside, key opens lock, unlocks push-button. Inside knob/lever always opens latch. Closing door does not release push-button. |  | B |
| F83 EXIT: Deadlocking latch by knob/lever either side except when outside locked by turn-button inside. Inside knob/lever always opens latch. Turn-button operated manually. |  | AQ |
| F84 CLASSROOM: Deadlocking latch by knob/lever inside. Outside knob/lever locked or unlocked by key. |  | S |
| F86 STOREROOM: Deadlocking latch by knob/lever inside, key outside. Outside knob/lever always locked. |  | F |
| F87 INSTITUTION: Both knob/levers always locked. Deadlocking latch by key both sides. |  | DW |
| F88 VESTIBULE: Deadlocking latch by knob/lever either side, except when outside knob/lever locked by key inside. Key outside retracts deadlocking latch. Inside always open. |  | DA |
| F89 EXIT: Deadlocking latch by knob/lever inside. Outside always locked. |  | FQ |
| F90 CORRIDOR: Deadlocking latch by knob/lever either side unless outside locked by key or inside push-button. Unlock by key, turning inside knob/lever or closing door. |  | T |




| ANSI # CODE | Marks Function | |
|---|---|-----|
| | I/S | O/S |
| F90 (MOD.) HOSPITAL/PRIVACY: Deadlocking latch by knob/lever either side unless outside locked by knob/lever or inside push-button. Unlock by turn-knob, turning inside knob/lever or closing door. Emergency turn-knob A5 option. |  | TK |
| F91 STORE DOOR (95 Series Leverset ONLY): Deadlocking latch by knob/lever either side except when both knob/levers are locked by key from either side. |  | GB |
| F92 SERVICE STATION LOCK: Deadlocking latch by knob/lever either side unless outside locked by key or inside push-button. Unlock by key, turning inside knob/lever or closing door, except when slotted push-button is turned in locked position. Inside knob/lever always opens latch. |  | BS |
| F93 HOTEL: Deadlocking latch by knob/lever inside. Outside knob/lever always locked. Inside push-button projects indicator on cylinder face shutting out all keys except emergency key. Turning inside knob/lever or closing door releases push-button. |  | H |
| F109 ENTRY: Outside locked by pushing turn-button inside. Key outside opens lock. Rotating inside knob/lever releases button and outside knob/lever. By pushing and turning inside button, outside knob/lever remains locked. Deadlocking latch. |  | AB |
| F110 CLASSROOM INTRUDER: Deadlocking latch by knob/lever either side, except when outside locked by key inside. Key outside locks or unlocks outside. Inside always open |  | DB |
| DUMMY TRIM: Outside only, rigid. |  | DO |
| DUMMY TRIM: Both sides, rigid. |  | DT |
| F111 COMMUNICATING PASSAGE: Blank outside. Deadlocking latch by knob/lever inside. |  | NB |
| F112 COMMUNICATING STOREROOM: Blank outside. Deadlocking latch by key only. Knob/lever always locked. |  | FB |
| F113 COMMUNICATING CLASSROOM: Blank outside. Inside knob/lever locked or unlocked by key. Deadlocking latch. |  | SB |
| ELECTRICALLY LOCKED - FEL (Fail Safe): Outside always locked electrically. Open by key outside, switch or loss of power. Deadlocking latch by lever inside. Lever only. |  | FEL |
| ELECTRICALLY UNLOCKED - FEU (Fail Secure): Outside always locked until unlocked by key or electrically energized. Deadlocking latch by lever inside. Lever only. |  | FEU |




How To ORDER TUBULAR LOCKSETS

Tubular Locksets

| How To Order Example for Tubular Locksets | | | | | | | | | | | | | | | | | | | | | | | | | | | | | | | | | | | | | | | | | | | | | | | | | | | | | | | | | | | | | | | | | | | | | | | | | | | | | | | | | |
|--|--------------------------------------|------------------|----------------------|---|--------------|------------------|--------------------------------|-------|----------------------------|--------|-------------------------------------|-------|---------------------------|--------|-------------------------------------|-------|--------------------------------------|---|--------------------------------|------|------------------------|--------------------|-----------------------------|--------|--------------------------------------|-------|------------------------------|-----------------------------|---------------------------|------|--|------|-------------|----------------|----------|-------|--------|----|----|--------|----|----|-------|------|-------|--------------------------------------|----|----|--|-----------|------------|--------------------------------------|-----|----|---------------------------------|-----|----|---------------------------------------|-----|----|--------------|------|-------|-----------------|----|----|--------|------|-------|-------------------|----|----|-------------------|----|----|------------------------|----|----|--------------------------|----|----|
| 1 | RW | 92 | N | / | 32D | — | S3 | | | | | | | | | | | | | | | | | | | | | | | | | | | | | | | | | | | | | | | | | | | | | | | | | | | | | | | | | | | | | | | | | | | | | | | | | | |
| 1. Lockset Series | 2. Rose Design | 3. Knob/Lever | 4. Marks Function | Slash | 5. Finish | Dash | 6. Options | | | | | | | | | | | | | | | | | | | | | | | | | | | | | | | | | | | | | | | | | | | | | | | | | | | | | | | | | | | | | | | | | | | | | | | | | | |
| 1 SERIES | | | | 5 FINISH | | | | | | | | | | | | | | | | | | | | | | | | | | | | | | | | | | | | | | | | | | | | | | | | | | | | | | | | | | | | | | | | | | | | | | | | | | | | | |
| Tubular Locksets 1 Cylindrical Cartridge 1 | | | | <table border="1" style="width: 100%; border-collapse: collapse;"> <thead> <tr> <th style="text-align: left;">MARKS</th> <th style="text-align: left;">ANSI #</th> </tr> </thead> <tbody> <tr><td>US 3</td><td>Polished Brass, Clear Coated 605</td></tr> <tr><td>US 3E</td><td>Polished Brass "PVD" 605E</td></tr> <tr><td>US 4</td><td>Satin Brass, Clear Coated 606, 606E</td></tr> <tr><td>US10</td><td>Satin Bronze, Clear Coated 612E</td></tr> <tr><td>US 10B</td><td>Dark Bronze, Clear Coated 613E</td></tr> <tr><td>US15</td><td>Satin Nickel 619, 619E</td></tr> <tr><td>US 26</td><td>Polished Chrome, Plated 625</td></tr> <tr><td>US 26D</td><td>Satin Chrome, Plated 626</td></tr> <tr><td>US 32</td><td>Polished Stainless Steel 629</td></tr> <tr><td>US 32D</td><td>Satin Stainless Steel 630</td></tr> </tbody> </table> | | | | MARKS | ANSI # | US 3 | Polished Brass, Clear Coated 605 | US 3E | Polished Brass "PVD" 605E | US 4 | Satin Brass, Clear Coated 606, 606E | US10 | Satin Bronze, Clear Coated 612E | US 10B | Dark Bronze, Clear Coated 613E | US15 | Satin Nickel 619, 619E | US 26 | Polished Chrome, Plated 625 | US 26D | Satin Chrome, Plated 626 | US 32 | Polished Stainless Steel 629 | US 32D | Satin Stainless Steel 630 | | | | | | | | | | | | | | | | | | | | | | | | | | | | | | | | | | | | | | | | | | | | | | | | | | | | |
| MARKS | ANSI # | | | | | | | | | | | | | | | | | | | | | | | | | | | | | | | | | | | | | | | | | | | | | | | | | | | | | | | | | | | | | | | | | | | | | | | | | | | | | | | | |
| US 3 | Polished Brass, Clear Coated 605 | | | | | | | | | | | | | | | | | | | | | | | | | | | | | | | | | | | | | | | | | | | | | | | | | | | | | | | | | | | | | | | | | | | | | | | | | | | | | | | | |
| US 3E | Polished Brass "PVD" 605E | | | | | | | | | | | | | | | | | | | | | | | | | | | | | | | | | | | | | | | | | | | | | | | | | | | | | | | | | | | | | | | | | | | | | | | | | | | | | | | | |
| US 4 | Satin Brass, Clear Coated 606, 606E | | | | | | | | | | | | | | | | | | | | | | | | | | | | | | | | | | | | | | | | | | | | | | | | | | | | | | | | | | | | | | | | | | | | | | | | | | | | | | | | |
| US10 | Satin Bronze, Clear Coated 612E | | | | | | | | | | | | | | | | | | | | | | | | | | | | | | | | | | | | | | | | | | | | | | | | | | | | | | | | | | | | | | | | | | | | | | | | | | | | | | | | |
| US 10B | Dark Bronze, Clear Coated 613E | | | | | | | | | | | | | | | | | | | | | | | | | | | | | | | | | | | | | | | | | | | | | | | | | | | | | | | | | | | | | | | | | | | | | | | | | | | | | | | | |
| US15 | Satin Nickel 619, 619E | | | | | | | | | | | | | | | | | | | | | | | | | | | | | | | | | | | | | | | | | | | | | | | | | | | | | | | | | | | | | | | | | | | | | | | | | | | | | | | | |
| US 26 | Polished Chrome, Plated 625 | | | | | | | | | | | | | | | | | | | | | | | | | | | | | | | | | | | | | | | | | | | | | | | | | | | | | | | | | | | | | | | | | | | | | | | | | | | | | | | | |
| US 26D | Satin Chrome, Plated 626 | | | | | | | | | | | | | | | | | | | | | | | | | | | | | | | | | | | | | | | | | | | | | | | | | | | | | | | | | | | | | | | | | | | | | | | | | | | | | | | | |
| US 32 | Polished Stainless Steel 629 | | | | | | | | | | | | | | | | | | | | | | | | | | | | | | | | | | | | | | | | | | | | | | | | | | | | | | | | | | | | | | | | | | | | | | | | | | | | | | | | |
| US 32D | Satin Stainless Steel 630 | | | | | | | | | | | | | | | | | | | | | | | | | | | | | | | | | | | | | | | | | | | | | | | | | | | | | | | | | | | | | | | | | | | | | | | | | | | | | | | | |
| 2 ROSES | | | | 6 OPTIONS | | | | | | | | | | | | | | | | | | | | | | | | | | | | | | | | | | | | | | | | | | | | | | | | | | | | | | | | | | | | | | | | | | | | | | | | | | | | | |
| <table border="1" style="width: 100%; border-collapse: collapse;"> <thead> <tr> <th style="text-align: left;">ROSES</th> <th style="text-align: left;">DESIGN</th> </tr> </thead> <tbody> <tr><td>9602-R</td><td>Rose with ring 2-9/16" dia. RR</td></tr> <tr><td>9602</td><td>Plain rose 2-9/16" dia. RW</td></tr> <tr><td>5602-R</td><td>Small rose with ring 2-1/4" dia. RQ</td></tr> <tr><td>5602</td><td>Small rose 2-1/4" dia. RS</td></tr> <tr><td>7602</td><td>Square rose 2-9/16" square RX</td></tr> <tr><td>7607</td><td>Square forged rose 2-9/16" square RK</td></tr> </tbody> </table> | | | | ROSES | DESIGN | 9602-R | Rose with ring 2-9/16" dia. RR | 9602 | Plain rose 2-9/16" dia. RW | 5602-R | Small rose with ring 2-1/4" dia. RQ | 5602 | Small rose 2-1/4" dia. RS | 7602 | Square rose 2-9/16" square RX | 7607 | Square forged rose 2-9/16" square RK | <table border="1" style="width: 100%; border-collapse: collapse;"> <thead> <tr> <th style="text-align: left;">TRIM MODIFICATIONS</th> <th style="text-align: left;">CODE</th> <th style="text-align: left;">PRICE</th> </tr> </thead> <tbody> <tr><td>Tactile knob/lever, coated ext. only</td><td>A1</td><td>65</td></tr> <tr><td>Tactile knob/lever, knurled</td><td>A4</td><td>65</td></tr> <tr><td>Tactile knob/lever, coated int. & ext.</td><td>A18</td><td>132</td></tr> <tr> <th style="text-align: left;">DOOR THICKNESS</th> <th style="text-align: left;">CODE</th> <th style="text-align: left;">PRICE</th> </tr> <tr><td>1-3/4"</td><td>D4</td><td>NC</td></tr> <tr><td>1-3/8"</td><td>D5</td><td>NC</td></tr> <tr> <th style="text-align: left;">LATCH</th> <th style="text-align: left;">CODE</th> <th style="text-align: left;">PRICE</th> </tr> <tr><td>2-3/4" backset, 1-1/8" x 2-1/4" face</td><td>E4</td><td>12</td></tr> <tr><td>2-3/4" backset, 9/16" throw, Gr. 1, UL Listed With Cylindrical Cartridge*</td><td>E7</td><td>117</td></tr> <tr><td>2-3/8" backset, 1-1/8" x 2-1/4" face</td><td>E11</td><td>15</td></tr> <tr><td>2-3/4" backset, 1 x 2-1/4" face</td><td>E12</td><td>15</td></tr> <tr><td>Adjustable latch 1-1/8" x 2-1/4" face</td><td>E13</td><td>12</td></tr> <tr> <th style="text-align: left;">TRIM CHANGES</th> <th style="text-align: left;">CODE</th> <th style="text-align: left;">PRICE</th> </tr> <tr><td>For 1-1/2" bore</td><td>F6</td><td>22</td></tr> <tr> <th style="text-align: left;">STRIKE</th> <th style="text-align: left;">CODE</th> <th style="text-align: left;">PRICE</th> </tr> <tr><td>4-7/8" ASA strike</td><td>S1</td><td>15</td></tr> <tr><td>2-3/4" "T" strike</td><td>S3</td><td>NC</td></tr> <tr><td>3-5/8" Security strike</td><td>S4</td><td>13</td></tr> <tr><td>2-1/4" Curved lip strike</td><td>S5</td><td>NC</td></tr> </tbody> </table> | | | | TRIM MODIFICATIONS | CODE | PRICE | Tactile knob/lever, coated ext. only | A1 | 65 | Tactile knob/lever, knurled | A4 | 65 | Tactile knob/lever, coated int. & ext. | A18 | 132 | DOOR THICKNESS | CODE | PRICE | 1-3/4" | D4 | NC | 1-3/8" | D5 | NC | LATCH | CODE | PRICE | 2-3/4" backset, 1-1/8" x 2-1/4" face | E4 | 12 | 2-3/4" backset, 9/16" throw, Gr. 1, UL Listed With Cylindrical Cartridge* | E7 | 117 | 2-3/8" backset, 1-1/8" x 2-1/4" face | E11 | 15 | 2-3/4" backset, 1 x 2-1/4" face | E12 | 15 | Adjustable latch 1-1/8" x 2-1/4" face | E13 | 12 | TRIM CHANGES | CODE | PRICE | For 1-1/2" bore | F6 | 22 | STRIKE | CODE | PRICE | 4-7/8" ASA strike | S1 | 15 | 2-3/4" "T" strike | S3 | NC | 3-5/8" Security strike | S4 | 13 | 2-1/4" Curved lip strike | S5 | NC |
| ROSES | DESIGN | | | | | | | | | | | | | | | | | | | | | | | | | | | | | | | | | | | | | | | | | | | | | | | | | | | | | | | | | | | | | | | | | | | | | | | | | | | | | | | | |
| 9602-R | Rose with ring 2-9/16" dia. RR | | | | | | | | | | | | | | | | | | | | | | | | | | | | | | | | | | | | | | | | | | | | | | | | | | | | | | | | | | | | | | | | | | | | | | | | | | | | | | | | |
| 9602 | Plain rose 2-9/16" dia. RW | | | | | | | | | | | | | | | | | | | | | | | | | | | | | | | | | | | | | | | | | | | | | | | | | | | | | | | | | | | | | | | | | | | | | | | | | | | | | | | | |
| 5602-R | Small rose with ring 2-1/4" dia. RQ | | | | | | | | | | | | | | | | | | | | | | | | | | | | | | | | | | | | | | | | | | | | | | | | | | | | | | | | | | | | | | | | | | | | | | | | | | | | | | | | |
| 5602 | Small rose 2-1/4" dia. RS | | | | | | | | | | | | | | | | | | | | | | | | | | | | | | | | | | | | | | | | | | | | | | | | | | | | | | | | | | | | | | | | | | | | | | | | | | | | | | | | |
| 7602 | Square rose 2-9/16" square RX | | | | | | | | | | | | | | | | | | | | | | | | | | | | | | | | | | | | | | | | | | | | | | | | | | | | | | | | | | | | | | | | | | | | | | | | | | | | | | | | |
| 7607 | Square forged rose 2-9/16" square RK | | | | | | | | | | | | | | | | | | | | | | | | | | | | | | | | | | | | | | | | | | | | | | | | | | | | | | | | | | | | | | | | | | | | | | | | | | | | | | | | |
| TRIM MODIFICATIONS | CODE | PRICE | | | | | | | | | | | | | | | | | | | | | | | | | | | | | | | | | | | | | | | | | | | | | | | | | | | | | | | | | | | | | | | | | | | | | | | | | | | | | | | |
| Tactile knob/lever, coated ext. only | A1 | 65 | | | | | | | | | | | | | | | | | | | | | | | | | | | | | | | | | | | | | | | | | | | | | | | | | | | | | | | | | | | | | | | | | | | | | | | | | | | | | | | |
| Tactile knob/lever, knurled | A4 | 65 | | | | | | | | | | | | | | | | | | | | | | | | | | | | | | | | | | | | | | | | | | | | | | | | | | | | | | | | | | | | | | | | | | | | | | | | | | | | | | | |
| Tactile knob/lever, coated int. & ext. | A18 | 132 | | | | | | | | | | | | | | | | | | | | | | | | | | | | | | | | | | | | | | | | | | | | | | | | | | | | | | | | | | | | | | | | | | | | | | | | | | | | | | | |
| DOOR THICKNESS | CODE | PRICE | | | | | | | | | | | | | | | | | | | | | | | | | | | | | | | | | | | | | | | | | | | | | | | | | | | | | | | | | | | | | | | | | | | | | | | | | | | | | | | |
| 1-3/4" | D4 | NC | | | | | | | | | | | | | | | | | | | | | | | | | | | | | | | | | | | | | | | | | | | | | | | | | | | | | | | | | | | | | | | | | | | | | | | | | | | | | | | |
| 1-3/8" | D5 | NC | | | | | | | | | | | | | | | | | | | | | | | | | | | | | | | | | | | | | | | | | | | | | | | | | | | | | | | | | | | | | | | | | | | | | | | | | | | | | | | |
| LATCH | CODE | PRICE | | | | | | | | | | | | | | | | | | | | | | | | | | | | | | | | | | | | | | | | | | | | | | | | | | | | | | | | | | | | | | | | | | | | | | | | | | | | | | | |
| 2-3/4" backset, 1-1/8" x 2-1/4" face | E4 | 12 | | | | | | | | | | | | | | | | | | | | | | | | | | | | | | | | | | | | | | | | | | | | | | | | | | | | | | | | | | | | | | | | | | | | | | | | | | | | | | | |
| 2-3/4" backset, 9/16" throw, Gr. 1, UL Listed With Cylindrical Cartridge* | E7 | 117 | | | | | | | | | | | | | | | | | | | | | | | | | | | | | | | | | | | | | | | | | | | | | | | | | | | | | | | | | | | | | | | | | | | | | | | | | | | | | | | |
| 2-3/8" backset, 1-1/8" x 2-1/4" face | E11 | 15 | | | | | | | | | | | | | | | | | | | | | | | | | | | | | | | | | | | | | | | | | | | | | | | | | | | | | | | | | | | | | | | | | | | | | | | | | | | | | | | |
| 2-3/4" backset, 1 x 2-1/4" face | E12 | 15 | | | | | | | | | | | | | | | | | | | | | | | | | | | | | | | | | | | | | | | | | | | | | | | | | | | | | | | | | | | | | | | | | | | | | | | | | | | | | | | |
| Adjustable latch 1-1/8" x 2-1/4" face | E13 | 12 | | | | | | | | | | | | | | | | | | | | | | | | | | | | | | | | | | | | | | | | | | | | | | | | | | | | | | | | | | | | | | | | | | | | | | | | | | | | | | | |
| TRIM CHANGES | CODE | PRICE | | | | | | | | | | | | | | | | | | | | | | | | | | | | | | | | | | | | | | | | | | | | | | | | | | | | | | | | | | | | | | | | | | | | | | | | | | | | | | | |
| For 1-1/2" bore | F6 | 22 | | | | | | | | | | | | | | | | | | | | | | | | | | | | | | | | | | | | | | | | | | | | | | | | | | | | | | | | | | | | | | | | | | | | | | | | | | | | | | | |
| STRIKE | CODE | PRICE | | | | | | | | | | | | | | | | | | | | | | | | | | | | | | | | | | | | | | | | | | | | | | | | | | | | | | | | | | | | | | | | | | | | | | | | | | | | | | | |
| 4-7/8" ASA strike | S1 | 15 | | | | | | | | | | | | | | | | | | | | | | | | | | | | | | | | | | | | | | | | | | | | | | | | | | | | | | | | | | | | | | | | | | | | | | | | | | | | | | | |
| 2-3/4" "T" strike | S3 | NC | | | | | | | | | | | | | | | | | | | | | | | | | | | | | | | | | | | | | | | | | | | | | | | | | | | | | | | | | | | | | | | | | | | | | | | | | | | | | | | |
| 3-5/8" Security strike | S4 | 13 | | | | | | | | | | | | | | | | | | | | | | | | | | | | | | | | | | | | | | | | | | | | | | | | | | | | | | | | | | | | | | | | | | | | | | | | | | | | | | | |
| 2-1/4" Curved lip strike | S5 | NC | | | | | | | | | | | | | | | | | | | | | | | | | | | | | | | | | | | | | | | | | | | | | | | | | | | | | | | | | | | | | | | | | | | | | | | | | | | | | | | |
| 3 KNOB/LEVER | | | | * E7 Option Available: 2-3/8", 2-3/4", 3-3/4" & 5" Backset, for N Function ONLY. | | | | | | | | | | | | | | | | | | | | | | | | | | | | | | | | | | | | | | | | | | | | | | | | | | | | | | | | | | | | | | | | | | | | | | | | | | | | | |
| <table border="1" style="width: 100%; border-collapse: collapse;"> <thead> <tr> <th style="text-align: left;">KNOBS</th> <th style="text-align: left;">DESIGN</th> </tr> </thead> <tbody> <tr><td>1153</td><td>Round, wrought 10</td></tr> <tr><td>1253</td><td>Ball, wrought 20</td></tr> <tr><td>9631</td><td>Ball, forged 30</td></tr> <tr><td>9609</td><td>Eclipse, forged 60</td></tr> <tr> <th style="text-align: left;">LEVERS</th> <th style="text-align: left;">DESIGN</th> </tr> <tr><td>SF031</td><td>Copa 031</td></tr> <tr><td>5657</td><td>Monaco 57</td></tr> <tr><td>5672</td><td>Towne 72</td></tr> <tr><td>5677</td><td>Maxwell 77</td></tr> <tr><td>5678</td><td>Omni 78</td></tr> <tr><td>5682</td><td>Plaza 82</td></tr> <tr><td>5683</td><td>Dayton 83</td></tr> <tr><td>5686</td><td>Crescent 86</td></tr> <tr><td>5692</td><td>American 92</td></tr> <tr><td>5696</td><td>Titan 96</td></tr> </tbody> </table> | | | | KNOBS | DESIGN | 1153 | Round, wrought 10 | 1253 | Ball, wrought 20 | 9631 | Ball, forged 30 | 9609 | Eclipse, forged 60 | LEVERS | DESIGN | SF031 | Copa 031 | 5657 | Monaco 57 | 5672 | Towne 72 | 5677 | Maxwell 77 | 5678 | Omni 78 | 5682 | Plaza 82 | 5683 | Dayton 83 | 5686 | Crescent 86 | 5692 | American 92 | 5696 | Titan 96 | | | | | | | | | | | | | | | | | | | | | | | | | | | | | | | | | | | | | | | | | | | | | | |
| KNOBS | DESIGN | | | | | | | | | | | | | | | | | | | | | | | | | | | | | | | | | | | | | | | | | | | | | | | | | | | | | | | | | | | | | | | | | | | | | | | | | | | | | | | | |
| 1153 | Round, wrought 10 | | | | | | | | | | | | | | | | | | | | | | | | | | | | | | | | | | | | | | | | | | | | | | | | | | | | | | | | | | | | | | | | | | | | | | | | | | | | | | | | |
| 1253 | Ball, wrought 20 | | | | | | | | | | | | | | | | | | | | | | | | | | | | | | | | | | | | | | | | | | | | | | | | | | | | | | | | | | | | | | | | | | | | | | | | | | | | | | | | |
| 9631 | Ball, forged 30 | | | | | | | | | | | | | | | | | | | | | | | | | | | | | | | | | | | | | | | | | | | | | | | | | | | | | | | | | | | | | | | | | | | | | | | | | | | | | | | | |
| 9609 | Eclipse, forged 60 | | | | | | | | | | | | | | | | | | | | | | | | | | | | | | | | | | | | | | | | | | | | | | | | | | | | | | | | | | | | | | | | | | | | | | | | | | | | | | | | |
| LEVERS | DESIGN | | | | | | | | | | | | | | | | | | | | | | | | | | | | | | | | | | | | | | | | | | | | | | | | | | | | | | | | | | | | | | | | | | | | | | | | | | | | | | | | |
| SF031 | Copa 031 | | | | | | | | | | | | | | | | | | | | | | | | | | | | | | | | | | | | | | | | | | | | | | | | | | | | | | | | | | | | | | | | | | | | | | | | | | | | | | | | |
| 5657 | Monaco 57 | | | | | | | | | | | | | | | | | | | | | | | | | | | | | | | | | | | | | | | | | | | | | | | | | | | | | | | | | | | | | | | | | | | | | | | | | | | | | | | | |
| 5672 | Towne 72 | | | | | | | | | | | | | | | | | | | | | | | | | | | | | | | | | | | | | | | | | | | | | | | | | | | | | | | | | | | | | | | | | | | | | | | | | | | | | | | | |
| 5677 | Maxwell 77 | | | | | | | | | | | | | | | | | | | | | | | | | | | | | | | | | | | | | | | | | | | | | | | | | | | | | | | | | | | | | | | | | | | | | | | | | | | | | | | | |
| 5678 | Omni 78 | | | | | | | | | | | | | | | | | | | | | | | | | | | | | | | | | | | | | | | | | | | | | | | | | | | | | | | | | | | | | | | | | | | | | | | | | | | | | | | | |
| 5682 | Plaza 82 | | | | | | | | | | | | | | | | | | | | | | | | | | | | | | | | | | | | | | | | | | | | | | | | | | | | | | | | | | | | | | | | | | | | | | | | | | | | | | | | |
| 5683 | Dayton 83 | | | | | | | | | | | | | | | | | | | | | | | | | | | | | | | | | | | | | | | | | | | | | | | | | | | | | | | | | | | | | | | | | | | | | | | | | | | | | | | | |
| 5686 | Crescent 86 | | | | | | | | | | | | | | | | | | | | | | | | | | | | | | | | | | | | | | | | | | | | | | | | | | | | | | | | | | | | | | | | | | | | | | | | | | | | | | | | |
| 5692 | American 92 | | | | | | | | | | | | | | | | | | | | | | | | | | | | | | | | | | | | | | | | | | | | | | | | | | | | | | | | | | | | | | | | | | | | | | | | | | | | | | | | |
| 5696 | Titan 96 | | | | | | | | | | | | | | | | | | | | | | | | | | | | | | | | | | | | | | | | | | | | | | | | | | | | | | | | | | | | | | | | | | | | | | | | | | | | | | | | |
| 4 TUBULAR FUNCTIONS | | | | | | | | | | | | | | | | | | | | | | | | | | | | | | | | | | | | | | | | | | | | | | | | | | | | | | | | | | | | | | | | | | | | | | | | | | | | | | | | | |
| <table border="1" style="width: 100%; border-collapse: collapse;"> <thead> <tr> <th style="text-align: left;">MARKS #</th> <th style="text-align: left;">ANSI #</th> </tr> </thead> <tbody> <tr> <th style="text-align: left;">TUBULAR LOCKSETS</th> <th style="text-align: left;">ANSI #</th> </tr> <tr><td>N</td><td>PASSAGE F75</td></tr> <tr><td>L</td><td>PRIVACY F76</td></tr> <tr><td>NB</td><td>COMMUNICATING F111</td></tr> <tr><td>DI</td><td>DUMMY TRIM INSIDE</td></tr> <tr><td>DO</td><td>DUMMY TRIM OUTSIDE</td></tr> <tr><td>DT</td><td>FULL DUMMY</td></tr> </tbody> </table> | | | | MARKS # | ANSI # | TUBULAR LOCKSETS | ANSI # | N | PASSAGE F75 | L | PRIVACY F76 | NB | COMMUNICATING F111 | DI | DUMMY TRIM INSIDE | DO | DUMMY TRIM OUTSIDE | DT | FULL DUMMY | | | | | | | | | | | | | | | | | | | | | | | | | | | | | | | | | | | | | | | | | | | | | | | | | | | | | | | | | | | | | | |
| MARKS # | ANSI # | | | | | | | | | | | | | | | | | | | | | | | | | | | | | | | | | | | | | | | | | | | | | | | | | | | | | | | | | | | | | | | | | | | | | | | | | | | | | | | | |
| TUBULAR LOCKSETS | ANSI # | | | | | | | | | | | | | | | | | | | | | | | | | | | | | | | | | | | | | | | | | | | | | | | | | | | | | | | | | | | | | | | | | | | | | | | | | | | | | | | | |
| N | PASSAGE F75 | | | | | | | | | | | | | | | | | | | | | | | | | | | | | | | | | | | | | | | | | | | | | | | | | | | | | | | | | | | | | | | | | | | | | | | | | | | | | | | | |
| L | PRIVACY F76 | | | | | | | | | | | | | | | | | | | | | | | | | | | | | | | | | | | | | | | | | | | | | | | | | | | | | | | | | | | | | | | | | | | | | | | | | | | | | | | | |
| NB | COMMUNICATING F111 | | | | | | | | | | | | | | | | | | | | | | | | | | | | | | | | | | | | | | | | | | | | | | | | | | | | | | | | | | | | | | | | | | | | | | | | | | | | | | | | |
| DI | DUMMY TRIM INSIDE | | | | | | | | | | | | | | | | | | | | | | | | | | | | | | | | | | | | | | | | | | | | | | | | | | | | | | | | | | | | | | | | | | | | | | | | | | | | | | | | |
| DO | DUMMY TRIM OUTSIDE | | | | | | | | | | | | | | | | | | | | | | | | | | | | | | | | | | | | | | | | | | | | | | | | | | | | | | | | | | | | | | | | | | | | | | | | | | | | | | | | |
| DT | FULL DUMMY | | | | | | | | | | | | | | | | | | | | | | | | | | | | | | | | | | | | | | | | | | | | | | | | | | | | | | | | | | | | | | | | | | | | | | | | | | | | | | | | |

TUBULAR KNOB/LEVER FUNCTIONS

| ANSI # CODE | Marks Function |
|---|--|
| | I/S O/S |
| F75 PASSAGE: Latch by knob/lever either side. |  N |
| F76 PRIVACY: Latch by knob/lever either side unless outside knob/lever locked by push-button from inside. Outside unlocks by turning inside knob/lever, outside emergency turn or closing door. |  L |
| F111 COMMUNICATING: Blank outside. Deadlocking latch by knob/lever inside. |  NB |

| ANSI # CODE | Marks Function |
|--|--|
| | I/S O/S |
| DUMMY TRIM INSIDE: Dummy trim inside ONLY. |  DI |
| DUMMY TRIM OUTSIDE: Dummy trim outside ONLY. |  DO |
| FULL DUMMY TRIM: Dummy trim both sides. |  DT |

ROSE DESIGN RR, RW, RQ, RS, RX*, RK*, RL*

| | | | | | | |
|----------------|---|---------------|----------------------------------|--|--------------------|--|
| | ANSI-A156 • Grade 2 | | Series 1 • 2-3/8" Backset | | | |
| | Standard Features | | KNOBS | LEVERS | | |
| | <ul style="list-style-type: none"> • Backset: 2-3/8", 2-3/4" optional • Front: 1" x 2-1/4" • Thru-bolted screwless knob/lever rose • Concealed mounting screws • Lever support springs • Independent spring loaded captivated spindles • Strike: 2-1/4" full curved lip • Latch support housing • Door thickness: 1-3/8" to 1-3/4" • Privacy function - interior with automatic release | | 10, 20 | F002, 031, 037A, 44, 55, 57, 72, 77, 78, 82, 83, 86, 92, 96 | | F002, 037A 82, 83, 86, 92, 96, 031 037A, |
| MARKS # | FUNCTION | ANSI # | FINISH GROUPS | | | |
| | | | 3, 32D | 3, 4, 15, 26D | 10, 10B, 19 14, 26 | 32, 32D |

| | | | | | | |
|----------------|---------------|------|--------|--------|--------|--------|
| KEYLESS | | | | | | |
| N | PASSAGE | F75 | 272.05 | 365.35 | 409.19 | 351.86 |
| L | PRIVACY | F76 | 284.41 | 377.72 | 421.56 | 364.23 |
| NB | COMMUNICATING | F111 | 333.88 | 352.99 | 395.70 | 340.62 |

| | | | | | | |
|-------------------|--------------------|--|--------|--------|--------|--------|
| DUMMY TRIM | | | | | | |
| DI | DUMMY TRIM INSIDE | | 127.03 | 175.37 | 195.60 | 166.38 |
| DO | DUMMY TRIM OUTSIDE | | | | | |
| DT | FULLY DUMMY | | 254.06 | 347.37 | 390.08 | 333.88 |

KNOBS & LEVERS ARE PACKED 16 PER CASE
 NOTE: Split designs and/or finishes are priced at the highest design and/or finish • Special finishes, consult factory
 *Square Rose RX: Add \$30 / *Square Rose RZ: Add \$70 / *Square Rose RK: Add \$100

| | | | | | | | |
|------------------------------------|-------------------|-------------------|-----------------------------------|------------------------------------|--------------|------------------|--|
| KNOBS | Round Knob 10 | Ball Knob 20 | Commerce Lever 037A | Metropolitan Lever 002 | ROSES | RR: 2-9/16" dia. | |
| | | | | | | RW: 2-9/16" dia. | |
| | Stanhope Lever 44 | Copa Lever 031 | Brompton Lever 55 | Monaco Lever 57 Specify handing | | RQ: 2-1/4" dia. | |
| | | | | | | RS: 2-1/4" dia. | |
| Towne Lever 72 | Maxwell Lever 77 | Omni Lever 78 | Plaza Lever 82 Specify handing | RX: 2-1/2" sq. | | | |
| | | | | RK: 2-1/2" sq. | | | |
| Dayton Lever 83 Specify handing | Crescent Lever 86 | American Lever 92 | Titan Lever 96 | RL: 1-1/2" sq. | | | |
| | | | | Wrought | | | |
| | | | | Forged | | | |
| | | | | | | | |

| OPTIONS | CODE | PRICE | NOTE |
|---|-----------|------------|------------------------|
| 1-3/8" door thickness | D5 | NC | |
| 2-3/4" backset, 1-1/8" x 2-1/4" face | E4 | 12 | |
| 2-3/4" backset, 9/16" throw, Gr. 1, UL Listed WITH CYLINDRICAL CARTRIDGE * | E7 | 117 | N Function Only |
| 2-3/8" backset, 1-1/8" x 2-1/4" face | E11 | 15 | |
| 2-3/4" backset, 1" x 2-1/4" face | E12 | 15 | |
| 4-7/8" ASA strike | S1 | 15 | |
| 2-3/4" "T" strike | S3 | NC | |

* E7 Option Available: 2-3/8", 2-3/4", 3-3/4" & 5" Backset, for N Function ONLY.

INTERIOR TUBULAR LOCKSETS

Tubular Locksets




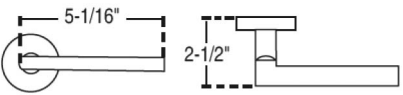
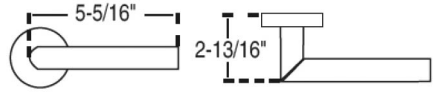
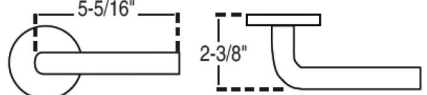
NEW! 60 Series, Stainless Steel, Commercial Locksets

Standard Features

- Latch Face: 1" x 2-1/4" standard
- Backset: 2-3/4" with 2-3/4" T-strike with square corners
- Door thickness: 1-3/8" to 1-3/4"
- Roses: 2-9/16" diameter
- Backset: 2-3/8" with 2-1/4", radius corner full lip strike, option E6, N/C
- Privacy Function with kick-off latch

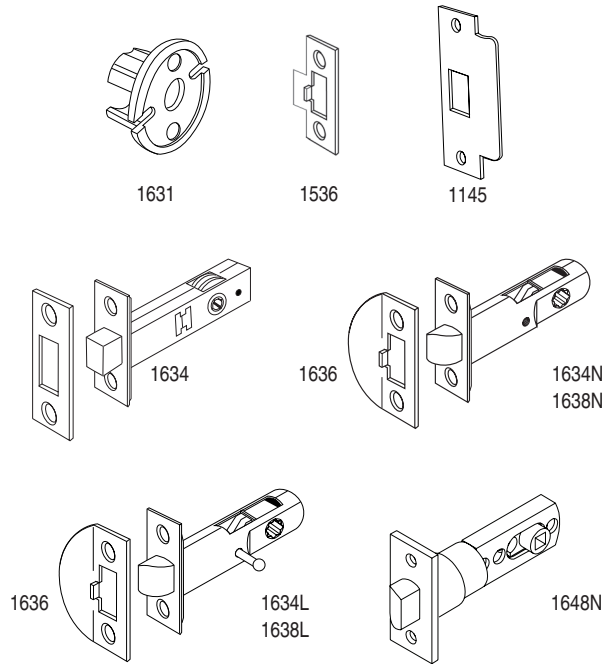
| MARKS # | FUNCTION | ANSI # | FINISH GROUPS (160, 260 & 360) | |
|---------|--------------------|--------|--------------------------------|--------|
| | | | | 32D |
| N | PASSAGE | F75 | | 220.00 |
| L | PRIVACY | F76 | | 235.00 |
| DO | DUMMY TRIM OUTSIDE | — | | 110.00 |

LEVERS ARE PACKED 9 PER CASE Additional finishes, consult factory

| 160 Series Finishes: 32D | 260 Series Finishes: 32D | 360 Series Finishes: 32D |
|---|--|---|
|  |  |  |
|  |  |  |

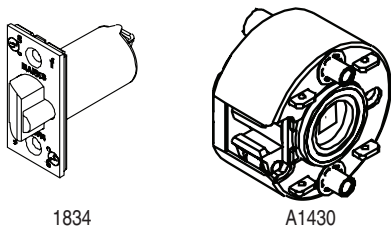
TUBULAR LOCKSET ACCESSORIES

Strikes, Latches, Support Housing



| PART # | DESCRIPTION | BACKSET FRONT | FINISH GROUPS | | |
|--------|--------------------------------|---------------|---------------|--------|------------------|
| | | | NO FINISH | 3, 26 | 10, 10B, 32, 32D |
| 1631 | Support housing | — | 13.18 | — | — |
| 1536 | "T" Strike, 2-3/4" curved lip | — | — | 13.19 | 21.09 |
| 1145 | 4-7/8" ASA strike | — | — | 15.82 | 29.00 |
| 1634 | Tubular deadbolt | 2-3/4" | — | 141.08 | 150.31 |
| 1636 | Strike, 2-1/4" full curved lip | — | — | 13.19 | 21.09 |
| 1634N | Passage latch w/ strike | 2-3/4" | — | 100.20 | 127.89 |
| 1634L | Privacy latch w/ strike | 1" x 2-1/4" | — | 119.98 | 133.16 |
| 1638N | Passage latch w/ strike | 2-3/8" | — | 64.61 | 81.74 |
| 1638L | Privacy latch w/ strike | 1" x 2-1/4" | — | 81.74 | 97.57 |

Latches & Cylindrical Cartridge



NOTE: Cylindrical Cartridge is for use with E7* Option ONLY.

| LATCH | THROW | Backset 2-3/8"; Front 1" x 2-1/4" | Backset 2-3/4"; Front 1-1/8" x 2-1/4" | FUNCTION | FINISH GROUPS | |
|---------|-------|-----------------------------------|---------------------------------------|----------|---------------|---------|
| | | | | | 3, 32D | 10, 10B |
| GRADE 2 | 1/2" | 1138A | 1134A | ENTRANCE | 58.00 | 43.52 |
| GRADE 1 | 9/16" | — | 1834A | ENTRANCE | 121.29 | 77.78 |

| PART # | DESCRIPTION | NO FINISH |
|--------|-----------------------|-----------|
| A1430 | Cylindrical Cartridge | 85.70 |

HOW TO ORDER DEFENDER LOCKSETS

Defender Series

| How To Order Example for Defender Locksets | | | | | |
|---|------------------------------|--------------|----------------------|-------------|---|
| 145 | K | / | 32D | — | D1 |
| <i>1. Lockset Series</i> | <i>2. Marks Function</i> | <i>Slash</i> | <i>3. Finish</i> | <i>Dash</i> | <i>4. Options</i> Specify: Keying, Handing & Door Thickness |


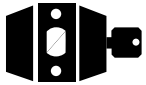

| 1 SERIES | |
|---|-----------|
| Defender Tubular Deadbolt Locksets | 130, 130R |
| Defender Cylindrical Cartridge Deadlatch Locksets | 145, 145R |

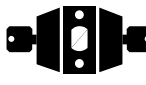
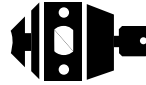
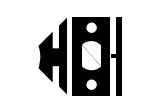
| 2 TUBULAR FUNCTIONS | | | | |
|--|------|-----------------------|------------|------------|
| DEADBOLT/DEADLATCHES (* indicates IC Core) | | | | |
| | | | 130 Series | 145 Series |
| K | RK* | CYLINDER x TURNPIECE | E0151 | E01101 |
| KK | RKK* | CYLINDER x KNOB | | |
| L | RL* | COMM. SINGLE CYLINDER | E0161 | E0131 |
| KL | RKL* | CYLINDER x LEVER | | E01101 |
| M | RM* | DOUBLE CYLINDER | E0141 | E01111 |
| S | RS* | CLASSROOM | E0171 | |
| X | | TURNPIECE | E0191 | E01121 |

| 3 FINISH | | |
|-----------------|------------------------------|--------|
| MARKS | | ANSI # |
| US 3 | Polished Brass, Clear Coated | 605 |
| US10 | Satin Bronze, Clear Coated | 612E |
| US 10B | Dark Bronze, Clear Coated | 613E |
| US 26D | Satin Chrome, Plated | 626 |
| US 32 | Polished Stainless Steel | 629 |
| US 32D | Satin Stainless Steel | 630 |

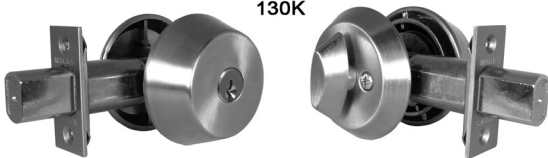
DEADBOLT/DEADLATCH FUNCTIONS

| ANSI # CODE | MARKS # FUNCTION | ANSI # CODE | MARKS # FUNCTION |
|--------------------|---------------------|--------------------|---------------------|
| 130 SERIES: | | 145 SERIES: | |
| E0151 | K | E01101 | K |
| E0161 | L | E0131 | L |
| E0141 | M | E01101 | KL |
| E0171 | S | E01111 | M |
| E0191 | X | E01121 | X |

| ANSI # CODE | Marks Function | |
|--|---|-----|
| | I/S | O/S |
| CYLINDER x TURNPIECE: Deadbolt/deadlatch by inside turnpiece or outside key. |  | K |
| COMMUNICATING SINGLE CYLINDER: Deadbolt/deadlatch by key from one side only. |  | L |
| CYLINDER x LEVER: Deadlatch by key outside. Inside lever always opens latch. |  | KL |

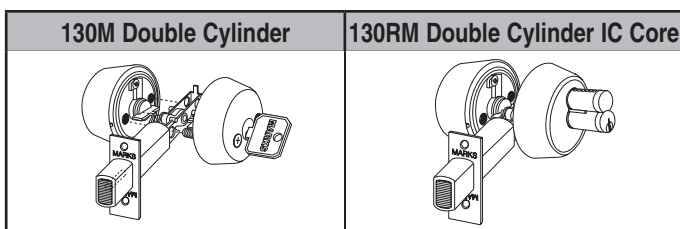
| ANSI # CODE | Marks Function | |
|--|---|-----|
| | I/S | O/S |
| DOUBLE CYLINDER: Deadbolt/deadlatch by key either side. |  | M |
| CLASSROOM: Deadbolt by outside key. Turnpiece will retract but not project deadbolt. |  | S |
| TURNPIECE x BLANK PLATE: Deadbolt/deadlatch by inside turnpiece. Blank plate outside. |  | X |


130 SERIES "DEFENDER" TUBULAR DEADBOLTS

| ANSI 156.5 | | | | Standard Features | |
|--|---------------|--------------------------|--------|---|--|
|  <p style="text-align: center;">130K</p> | | | | <ul style="list-style-type: none"> • Bolt: 1" throw • Unitized assemblies for 2-1/8" bore • Strike: #1335, 2-3/4" x 1-1/8" strike • Door thickness: 1-3/8" to 1-7/8" • Cylinder: MARKS "C" keyway, 6 pin w/ 2 keys • 2-3/8" Backset • Latch front: 1" x 2-1/4" | |
| MARKS # | | FUNCTION | ANSI # | FINISH GROUPS | |
| COMM. CYL. | IC CORE CYL.* | | | 3, 10, 10B, 32, 32D | |
| K | RK | CYLINDER x TURNPIECE | E0151 | 236.07 | |
| L | RL | COMMUNICATING SINGLE CYL | E0161 | 236.07 | |
| M | RM | DOUBLE CYLINDER | E0141 | 228.20 | |
| S | RS | CLASSROOM | E0171 | 205.72 | |
| X | — | TURNPIECE x BLANK PLATE | E0191 | 165.25 | |
| DEADBOLTS ARE PACKED 24 PER CASE | | | | | |
| NOTE: Split designs and/or finishes are priced at the highest design and/or finish • Special finishes, consult factory | | | | | |
| • IC Core Models: Core not included | | | | | |


| OPTIONS | CODE | PRICE |
|--------------------------------------|------|------------------|
| For 2" door | D1 | NC |
| For 2-1/4" door | D2 | 81 |
| For 1-1/4" - 1-1/2" door | D8 | NC |
| 2-3/4" backset, 1-1/8" x 2-1/4" face | E4 | 12 |
| Sargent original cylinder or core | F8 | 29 |
| Less cylinder | G3 | Deduct 17 |
| 3-5/8" x 1-1/4" Security strike | S4 | 1 |

Defender Series




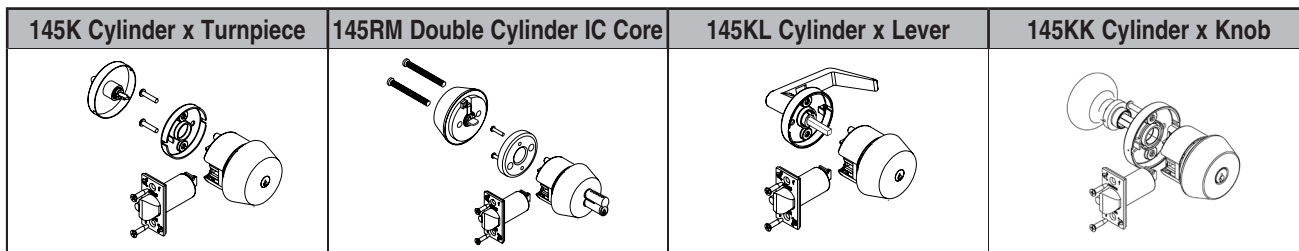
*** Standard IC Core Models:** 
 Interchangeable Core models for 6 or 7 pin cores (not included).
 Accepts: Marks, Medeco KeyMark™, Falcon & Best®. IC Core Tailpieces ARE Included.

145 SERIES "DEFENDER" CYLINDRICAL CARTRIDGE DEADLATCHES

| BHMA CERTIFIED | | ANSI 156.5 • 3 Hour Fire Rating | c UL US LISTED | Standard Features | |
|--|---------------|---------------------------------|----------------|--|--|
|  <p style="text-align: center;">145M</p> | | | | <ul style="list-style-type: none"> • Series 1 Cylindrical Cartridge • Latch: Grade 1, 9/16" throw, 2-3/4" backset • Unitized assemblies for 2-1/8" bore • Strike: #1136, 2-3/4" strike • Door thickness: 1-3/4"; For 1-3/8" doors use spacer rings K1442/32D • Cylinder: MARKS "C" keyway, 6 pin w/ 2 keys • Latch front: 1-1/8" x 2-1/4" | |
| MARKS # | | FUNCTION | ANSI # | FINISH GROUPS | |
| COMM. CYL. | IC CORE CYL.* | | | 3, 10, 10B, 32, 32D | |
| K | RK | CYLINDER x TURNPIECE | E01101 | 255.18 | |
| L | RL | COMMUNICATING SINGLE CYL | E0131 | 255.18 | |
| M | RM | DOUBLE CYLINDER | E01111 | 276.54 | |
| X | — | TURNPIECE x BLANK PLATE | E01121 | 216.96 | |
| KL | RKL | CYLINDER x LEVER | E01101 | 431.68 | |
| KK | RKK | CYLINDER x KNOB | | 448.54 | |
| DEADLATCHES ARE PACKED 24 PER CASE | | | | | |
| NOTE: Split designs and/or finishes are priced at the highest design and/or finish • Special finishes, consult factory | | | | | |
| • IC Core Models: Core not included | | | | | |

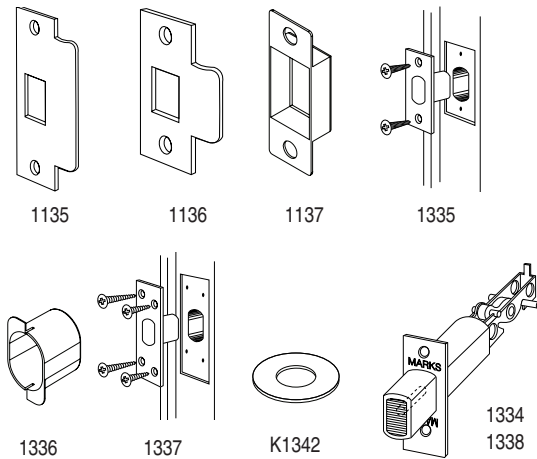
| OPTIONS | CODE | PRICE |
|--------------------------------------|------|------------------|
| For 2" door | D1 | NC |
| For 2-1/4" door | D2 | 81 |
| 2-3/8" backset, 1-1/8" x 2-1/4" face | E11 | 15 |
| Sargent original cylinder or core | F8 | 25 |
| Less cylinder | G3 | Deduct 17 |
| 4-7/8" ASA strike | S1 | 15 |

*** Standard IC Core Models:** 
 Interchangeable Core models for 6 or 7 pin cores (not included).
 Accepts: Marks, Medeco KeyMark™, Falcon & Best®. IC Core Tailpieces ARE Included.



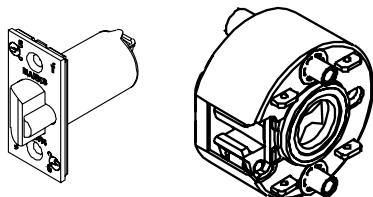
DEFENDER SERIES ACCESSORIES

Strikes, Latches & Spacers



| PART # | DESCRIPTION | FINISH GROUPS | | |
|-----------|---|---------------|--------|-------------|
| | | NO FINISH | 3, 32D | 10, 10B, 32 |
| 1135 | 4-7/8" ASA STRIKE | — | 30.32 | 30.32 |
| 1136 | 2-3/4" "T" STRIKE W/DUST BOX | — | 13.18 | 19.79 |
| 1137 | DUST BOX, PLASTIC, LATCH | 7.91 | — | — |
| 1335 | 2-3/4" x 1-1/8" STANDARD STRIKE | — | 10.55 | 13.18 |
| 1336 | DUST BOX, PLASTIC, DEADBOLT | 7.91 | — | — |
| 1337 | 3-5/8" x 1-1/4" HIGH SECURITY STEEL STRIKE, PLATED FINISH | — | 89.66 | — |
| K1342 | 1-3/8" DOOR, ROSE EXTENDERS, 130 Series | — | 71.20 | 88.34 |
| DEADBOLTS | | | | |
| 1334 | 2-3/4" BACKSET FRONT 1-1/8" x 2-1/4" | — | 46.15 | 58.01 |
| 1338 | 2-3/8" BACKSET FRONT 1-1/8" x 2-1/4" | — | 46.15 | 58.01 |
| K1442 | 1-3/8" DOOR, 145 SERIES | — | 204.36 | — |

Latches & Cylindrical Cartridge



1834

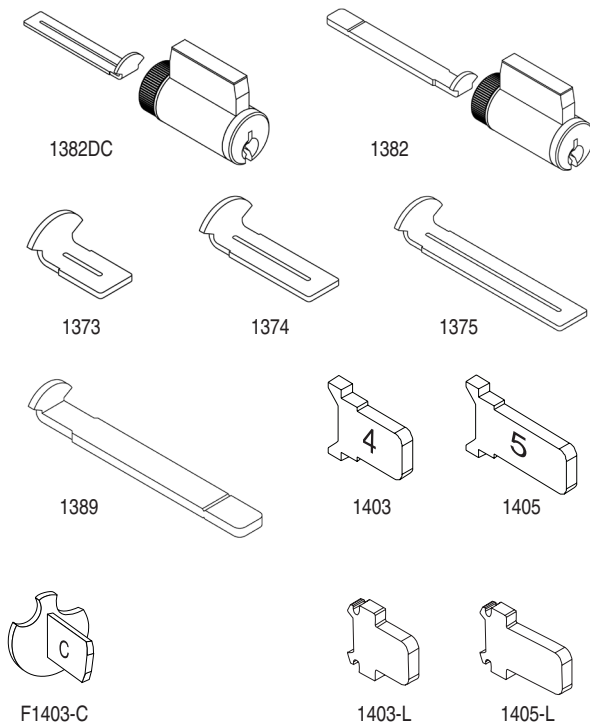
A1420 Cylindrical Cartridge for use with 145 Series

NOTE: Cylindrical Cartridge is for use with E7* Option ONLY.

| LATCH | THROW | Backset 2-3/8" Front 1" x 2-1/4" | Backset 2-3/4" Front 1-1/8" x 2-1/4" | FUNCTION | FINISH GROUPS | |
|---------|-------|----------------------------------|--------------------------------------|----------|---------------|---------|
| | | | | | 3, 32D | 10, 10B |
| GRADE 2 | 1/2" | 1138A | 1134A | ENTRANCE | 58.01 | 72.52 |
| GRADE 1 | 9/16" | — | 1834A | ENTRANCE | 121.30 | 130.53 |

| PART # | DESCRIPTION | NO FINISH |
|--------|---|-----------|
| A1420 | Cylindrical Cartridge for use with 145 Series | 145.03 |

Tailpieces & Cylinders









| PART # | TAILPIECES FOR 130 DEADBOLTS | PRICE |
|--------------------------------|------------------------------|-------|
| DOUBLE CYLINDER | | |
| 1373 | 1-5/16" to 1-3/8" | 7 |
| 1374 | 1-5/8" to 2" | 7 |
| 1375 | 2-1/8" to 2-3/8" | 7 |
| SINGLE CYLINDER | | |
| 1389 | 1-3/4" to 2-1/4" | 7 |
| TAILPIECES FOR 145 DEADLATCHES | | |
| 1403 | 1-5/8" to 1-7/8" | 6 |
| EF1903-C | 2" to 2-1/4" | 8 |
| F1403-C | 1-5/8" to 1-7/8" | 8 |
| 1403-L | 1-5/8" to 1-7/8" | 8 |
| 1405-L | 2" to 2-1/4" | 8 |

I-QWIK LITE² SERIES



NO-NONSENSE ACCESS CONTROL RIGHT OUT OF THE BOX

| MARKS # | | LOCKSET TYPE - PACKED PER CASE | # OF USERS | FINISH GROUPS | |
|---|---|--|------------|--|------------------|
| IQ1LITE | IQ1L/26D | | | 19 Black Powder Coat; with 26D American Levers | 26D Satin Chrome |
|  |  | IQ1: Cylindrical Lockset - <i>PACKED 4 PER CASE</i> | 160 | 1182.45 | 1361.49 |
|  |  | IQ2: Mortise Lockset - <i>PACKED 4 PER CASE</i> | 160 | 1908.99 | 2088.02 |
|  |  | IQ7: Rim Exit Device Interface - <i>PACKED 6 PER CASE</i> <i>Adapter plates operate most manufacturers Rim Exit Devices.</i> <i>Adapter plates for Mounting Exit Devices are sold separately, see page 70.</i> | 160 | 1659.17 | 1840.29 |

Access Control

| Standard Features | | |
|--|--|--|
| <ul style="list-style-type: none"> • CableGard™ protects wires for easy installation • Standard ANSI door prep with one additional hole • Pre-programmed code • Keypad programmable • 160 User codes • Temporary user codes | <ul style="list-style-type: none"> • Passage mode • Pin only mode • Double code entry for maximum security • Two wire remote release • 16 Digit tactile metal keypad • Weatherproof standard | <ul style="list-style-type: none"> • Audible & visible entry indicator • Audible low battery alert • 4 "AA" batteries, 95,000 operations • Easy installation • Lifetime Mechanical Warranty; 2 Year Electronic Warranty |

IQ1 LITE Cylindrical Lockset Specifications

Door Thickness: 1-3/4" standard;
For thicker doors, Consult factory

Handing: Non-handed

Key Override: Marks "C" keyway, 6 pin w/2 keys, IC Core optional

Lock Body: Cylindrical "Survivor" featuring the "Clutch" for trouble free service

Latch: Grade 2, 2-3/4" backset, 1/2" throw, 3 Hour UL fire rating

Strike Plate: 4-7/8" ASA strike

IQ2 LITE Mortise Lockset Specifications

Door Thickness: 1-3/4" standard;
For thicker doors, Consult factory

Handing: Field reversible

Key Override: 1-1/8" Mortise cylinder, 6 pin w/2 keys

Lock Body: Grade 1, Series 5, 2-3/4" backset, 3/4" anti-friction latch, 3 Hr UL fire rating

Auxiliary Latch: 1/2" throw

Clutch: The "Clutch" for trouble free service

Strike Plate: 4-7/8" ASA standard

IQ7 LITE Rim Exit Device Interface Specifications

Door Thickness: 1-3/4" standard;
For thicker doors, Consult factory

Handing: Non-handed

Key Override: 1-1/8" Mortise cylinder, 6 pin w/2 keys

Clutch: The "Clutch" for trouble free service

Adapter plates operate most manufacturers Rim Exit Devices. Adapter plates for Mounting Exit Devices are sold separately, see page 70.

How To Order Example for i-Qwik LITE Series Electronic Access Control Locksets

| IQ | 1LITE |
|----------------------|---------------------------|
| 1. Lockset Series | 2. Model Number |
| | 19 Finish 26D Finish |

IQ

1LITE (Cylindrical)

1L/26D (Cylindrical)

2LITE (Mortise)

2L/26D (Mortise)

7LITE (Rim Exit Device Interface)

7L/26D (Rim Exit Device Interface)

I-QWIK/I-QUE SERIES

OPTIONS



Access Control

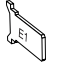


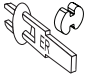
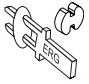


| I-QWIK / I-QUE OPTIONS | | | Cylindrical | Mortise | Rim Exit Device Interface |
|---|------|-----------|-------------|---------|---------------------------|
| DESCRIPTION | CODE | PRICE | IQLITE | IQLITE | IQLITE |
| Backset | | | | | |
| 2-3/8" Backset | E6 | NC | • | | |
| 5" Backset | E9 | 50 | • | | |
| 3-3/4" Backset | E10 | 50 | • | | |
| Series 55 Mortise Lock Body (2-1/2" bkst) | W8 | NC | | • | |
| Levers | | | | | |
| Tactile Lever | A1 | 65 | • | • | • |
| Lever to accept Sargent conventional cyl. | F8 | 25 | • | | |
| Lever to accept Corbin conventional cyl. | F9 | 25 | • | | |
| Lever to accept Corbin IC Core 6 pin | F12 | 37 | • | | |
| Lever to accept Corbin IC Core 7 pin | F13 | 37 | • | | |
| Lever to accept Yale IC Core 6 pin | F14 | 25 | • | | |
| Lever to accept Yale IC Core 7 pin | F15 | 25 | • | | |
| Lever to accept Large Format Schlage | F19 | 25 | | | |
| Lever to accept Sargent IC Core | F20 | 25 | • | | |
| Lever to accept Medeco IC Core lg. format | F21 | 25 | • | | |
| Solid Exterior Handle (no cylinder) | W4 | NC | • | Std | Std |
| Crescent Lever | W7 | 22 | • | • | • |
| Titan Lever | W12 | 21 | • | • | • |
| Cylinder | | | | | |
| IC Core Cylinder Housing | G1 | NC | • | • | • |
| Less Cylinder | G3 | Deduct 17 | • | • | • |
| Strike | | | | | |
| 4-7/8" ASA Strike | S1 | 15 | • | Std | |
| 2-3/4" "T" Strike | S3 | NC | Std | | |
| Miscellaneous | | | | | |
| Tamper-proof Screws | A3 | 16 | • | • | • |


IQWIK LITE ACCESSORIES

| I-QWIK / I-QUE ACCESSORIES | | | Cylindrical | Mortise | Rim Exit Device Interface |
|---|--------|--------|-------------|---------|---------------------------|
| ACCESSORY | PART # | PRICE | | | |
| Bridge Rectifier (converts AC power to DC power) | 1901 | 55.38 | • | • | • |
| Gasket (interior inside housing for full weatherproofing) | E1108 | 10.55 | • | • | |
| Battery Pack Holder | EA4011 | 27.69 | • | • | • |
| Spacer Kit, 1-3/8" Door (Int. & Ext. Gaskets) | EK1038 | 81.74 | • | • | • |
| Internal power connector for hardwiring i-Qwik/i-Que Locksets | E1133 | 39.55 | • | • | • |
| Memory Reset Jumper | E1155 | 27.69 | • | • | • |
| Spacer Ring for 1-1/4" mortise cylinder | E2006 | 27.69 | | • | • |
| Spacer Ring for 1-3/8" mortise cylinder | E2007 | 27.69 | | • | • |
| Rim Exit Device Adaptor Plate | | | | | |
| Von Duprin 99 Rim Adapter Plate / M9900 Marks Detex Advantex 10 Series Rim Adapter Plate | E7071 | 105.48 | | | • |
| Precision 1100 Rim Adapter Plate | E7072 | 105.48 | | | • |
| Yale 7100 Rim Adapter Plate/ Corbin ED5200 Rim Adapter Plate | E7073 | 105.48 | | | • |
| Dorma 9300 Rim Adapter Plate | E7074 | 105.48 | | | • |
| Sargent 8800 Rim Adapter Plate/ Arrow 3800 Rim Adapter Plate | E7075 | 105.48 | | | • |
| Precision 21 Rim Adapter Plate/ Precision 2100 Rim Adapter Plate** | E7076 | 105.48 | | | • |
| Von Duprin 88 - Special Order, Consult Factory | E7077 | 105.48 | | | • |
| Monarch 18R Exit Device Adapter Plate | E7078 | 119.98 | | | • |

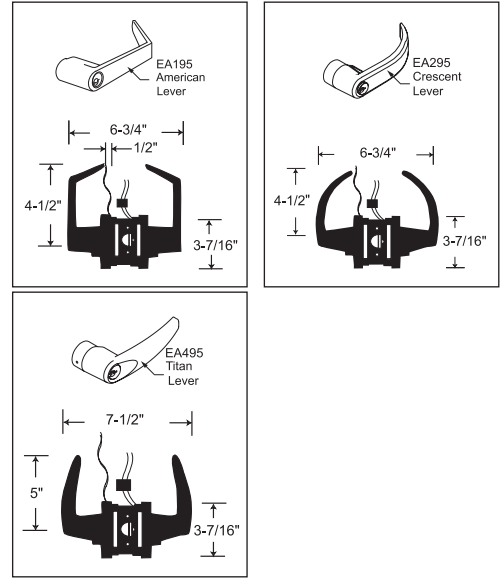
NOTE: Consult Factory for Additional Exit Devices; **Must use Precision #BP21 backplate.

TAILPIECES & CAMS

| CYLINDRICAL TAILPIECES Cylindrical Conventional | | | | |
|---|--|------------|------|-------|
| | FOR USE WITH | LEVER | CODE | PRICE |
|  | Marks 1982 | E1903 | E1 | 10.00 |
|  | Arrow PK 100C, ILCO 705, Sargent 13-3266, Lori 1539, ASSA 65673, 65691, Abloy | E1903-L | E2 | 10.00 |
|  | Schlage® 23-001, Primus Corbin-Russwin 2000-034 | EF1903-C | E3 | 10.00 |
| CYLINDRICAL IC CORES | | | | |
|  | Kit for 6 & 7 pin Marks, KSP, Best®, Falcon, Medeco® Keymark, Schlage® Small Format, 6 pin Sargent | HER1984 | ER | 10.00 |
|  | Kit for 6 & 7 pin Corbin | HER1984-G | ERG | 10.00 |
|  | Kit for 6 & 7 pin Yale™ American Lever ONLY | EAR1989-Y | EMY | 12.00 |
|  | 6 pin Schlage® Large Format American Lever ONLY | EF1903-F19 | CM | 12.00 |

| CAMS | | | | |
|--|------------------------------|--------|------|-------|
| Straight cam for tubular, exit device, or mortise functions Z1 & Z4 only. | | | | |
| | USE WITH MORTISE CYLINDER | PART # | CODE | PRICE |
|  | MARKS | 2101 | 1 | 10.00 |
| | Arrow/Sargent | 2101-A | A1 | 10.00 |
| | Corbin Russwin | 2101-C | C1 | 10.00 |
| | Schlage® | 2101-S | S1 | 10.00 |

REQUEST TO EXIT (REX) CYLINDRICAL ELECTRIFIED LEVERSET



 **ANSI-A156.2 • Grade 1
3 Hour Fire Rating**

EA195 Series Leverset w/American Lever



Marks USA has developed the Grade 1 "Survivor" Series Cylindrical Lockset incorporating a Request to Exit (REX) switch in both Electrified and Storeroom functions. Activating the inside lever for egress initiates the built-in REX output, providing a momentary REX input, for alarm shunt during egress.

Standard Features

- Backsets: 2-3/4"; 2-3/8", 3-3/4" or 5" optional
- Latch #1834, Front: 1-1/8" x 2-1/4"; Throw: 9/16"; Stainless steel nose
- Levers: Solid cast Zamac w/ 1/2" return (except 395 & 495)
- Rose: Thru-bolted, 3-7/16" dia., spring loaded 2-#10 thru-bolts
- Strike: #1135, 4-7/8" ASA curved lip
- Door thickness: 1-5/8" to 1-7/8" (For 1-3/8" door use K1704 spacer)
- Cylinder: MARKS "C" keyway, 6 pin w/ 2 keys
- Request to Exit Switch: Single pole, double throw, 3 amp, 125 AC, wired either normally open or normally closed
- Electrified functions - 100% duty cycle, 24V/DC standard, supplied with bridge rectifier; 3 watts, .25amps
- 12V/DC Optional, Contact factory for additional options
- Features "The Clutch" • UL Listed, 3 hour fire rating

| LOCKSET & LEVER DESIGN | CON. CORE | IC CORE | FUNCTION | ANSI # | DESCRIPTION | FINISH GROUPS | |
|------------------------|-----------|---------|-----------------------|--------|---|---------------|-------------------|
| | | | | | | 26D | 3, 4, 10, 10B, 26 |
| EA195 American lever | F | RF | STOREROOM | F86 | Latch by lever inside. Outside lever always locked. | 714.97 | 811.64 |
| EA295 Crescent lever | | | | | | | |
| EA495 Titan lever | | | | | | | |
| EA195 American lever | FEL | RFEL | ELECTRICALLY LOCKED | — | Outside always locked electrically. Open by key outside, switch or loss of power. Latch by lever inside. | 981.39 | 1055.59 |
| EA295 Crescent lever | | | | | | | |
| EA495 Titan lever | | | | | | | |
| EA195 American lever | FEU | RFEU | ELECTRICALLY UNLOCKED | — | Outside always locked until unlocked by key or electrically energized. Latch by lever inside. | 981.39 | 1055.59 |
| EA295 Crescent lever | | | | | | | |
| EA495 Titan lever | | | | | | | |

LEVERSETS ARE PACKED 6 PER CASE

* Standard IC Core Models: Accepts: Marks, Medeco KeyMark™, Interchangeable Core models Falcon & Best®, for 6 or 7 pin cores (not included). IC Core Tailpieces ARE Included.



How To Order Example for REX Leversets

| | | | | | |
|-------------------|-------------------|----------|------------|----------|------------|
| EA195 | F | / | 26D | — | G3 |
| 1. Lockset Series | 2. Marks Function | Slash | 3. Finish | Dash | 4. Options |

LOCK SERIES

- EA195
- EA295
- EA395
- EA495

MARKS FUNCTION

- ___ F ___ RFEL
- ___ RF ___ FEU
- ___ FEL ___ RFEU

FINISH



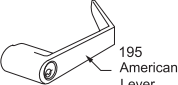

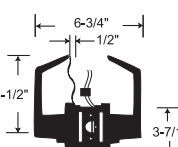
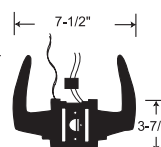

- 3 4
- 10 10B
- 26 26D

OPTIONS

Electrified Locksets

ELECTRIFIED LOCKSETS

CYLINDRICAL LEVERSETS & MORTISE LOCKSETS

| | | | | |
|---|---|---|---|--|
|  | ANSI-A156.2 • Grade 1 3 Hour Fire Rating |  |  |  |
| 195FEL/FEU Series Leverset w/American Lever | | |  |  |
|  | | | | |

Series 195, 295, 495 Cylindrical Leverset Standard Features

- Backsets: 2-3/4", 2-3/8", 3-3/4", 5"
- Latch #1834, Front: 1-1/8" x 2-1/4"; Throw: 9/16"; Stainless steel nose
- Levers: Solid cast Zamac w/ 1/2" return
- Rose: Thru-bolted, 3-7/16" dia., spring loaded 2-#10 thru-bolts
- Strike: #1135, 4-7/8" ASA curved lip
- Door thickness: 1-5/8" to 1-7/8" (For 1-3/8" door use K1904 spacer)
- Cylinder: MARKS "C" keyway, 6 pin w/ 2 keys or IC Core housing
- Electrified functions - 100% duty cycle, 24V/AC supplied with bridge rectifier; 24V/DC, .21 Amps
- 12V/DC Optional, Contact factory for additional options
- Features "The Clutch"
- UL Listed, 3 hour fire rating

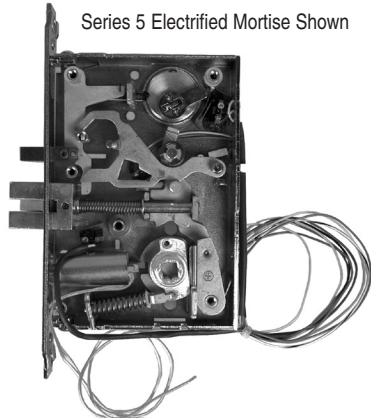
| SERIES 195, 295, 495 GRADE 1 ELECTRIFIED CYLINDRICAL LEVERSETS | | | | FINISH GROUPS | |
|--|------------------|-------------------------------------|--|---------------|----------------|
| COMMERCIAL CYLINDER | IC CORE CYLINDER | MARKS FUNCTION | DESCRIPTION | 3, 26D | 4, 10, 10B, 26 |
| FEL | RFEL | ELECTRICALLY LOCKED (Fail Safe) | Outside always locked electrically. Open by key outside, switch or loss of power. Deadlocking latch by lever inside. Lever only. | 773.42 | 871.23 |
| FEU | RFEU | ELECTRICALLY UNLOCKED (Fail Secure) | Outside always locked until unlocked by key or electrically energized. Deadlocking latch by lever inside. Lever only. | | |

* Standard IC Core Models: Accepts: Marks, Medeco KeyMark™, Interchangeable Core models Falcon & Best®. IC Core Tailpieces ARE Included.



Series 5 Electrified Mortise Lockset Standard Features

- 2-3/4" Backset ONLY
- 1" Stainless steel bolt throw
- 3/4" Latch throw (anti-friction) separator
- 1/2" Auxiliary latch throw
- Stamped steel case .090 thick,, Zinc dichromate finish
- 1-1/4" x 8" Lock front, Adjustable bevel
- Steel hubs, 9/32" on diamond, 5/16" on square w/security separator
- 100% Duty Cycle 24V/DC, 12V/DC supplied with bridge rectifier (350 ma)



| OPTIONS | CODE | PRICE |
|--|------|-------|
| Auxiliary Latch | E3 | 47 |
| Request to EXit Switch | W10 | 173 |
| Key Override Sensor | W11 | 173 |
| Request to EXit switch, Key Sensor & Bolt Sensor | W13 | 519 |
| Bolt Sensor | W14 | 173 |
| Latch Sensor | W15 | 173 |

| SERIES 5 ELECTRIFIED MORTISE LOCKSET | | | FINISH GROUPS | |
|---|--|---------|---------------|--|
| MARKS FUNCTION | DESCRIPTION | 3, 32D | 10, 10B, 32 | |
| EL: ELECTRICALLY LOCKED (Fail Safe) | Outside always locked electrically. Open by key outside, switch or loss of power. Auxiliary latch deadlocks latch. Inside always open. | 975.78* | 966.53* | |
| EU: ELECTRICALLY UNLOCKED (Fail Secure) | Outside always locked until unlocked by key or electrically energized. Auxiliary latch deadlocks latch. Inside always open. | | | |

* Lock Body Price ONLY. Due to numerous trim and finish options, please refer to the Marks USA Mortise Lockset Price Book.

GATE LOCKS (Reversible)

US PAT.#4,875,725 "NO FALL OUT" FEATURE:
Parts will not fall out when cover is removed.
Replaces Multilock gate locks.

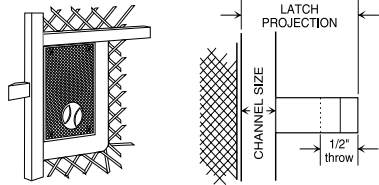
Swinging Gate Locks

Standard Features

- Easily reversible
- Case, cast aluminum 3-5/8" x 6-1/4" x 1"
- Bronze powder coat finish
- Groove: 1/2" wide x 3/16" deep, all sides for wire gate insertion
- 5 pin cylinder(s)
- Lock only, no keeper furnished

Single
Cylinder Model
*With cylinder
Suffix K
Add \$34

Double
Cylinder Model
*With cylinders
Suffix M
Add \$65



| MODEL # | LATCH PROJECTION | CHANNEL SIZE | PRICE LESS CYL.* | WT. / LBS. |
|---------|------------------|--------------|------------------|------------|
| W3700 | 1-1/8" | 1/2" | 169.75 | 20 |
| W3710 | 1-1/4" | 5/8" | 169.75 | 20 |
| W3720 | 1-3/8" | 3/4" | 169.75 | 20 |
| W3730 | 1-7/8" | 1-1/4" | 191.11 | 20 |
| W3750 | 1-1/8" | 1/2" | 239.45 | 21 |
| W3760 | 1-1/4" | 5/8" | 239.45 | 21 |
| W3770 | 1-3/8" | 3/4" | 239.45 | 21 |
| W3780 | 1-7/8" | 1-1/4" | 264.18 | 21 |

GATE LOCKS ARE PACKED 12 PER CASE

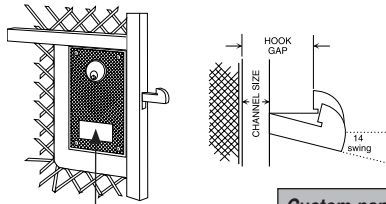
Sliding Gate Locks

Standard Features

- Easily reversible
- Case, cast aluminum 3-5/8" x 6-1/4" x 1"
- Bronze powder coat finish
- Groove: 1/2" wide x 3/16" deep, all sides for wire gate insertion
- 5 pin cylinder(s)
- Lock only, no keeper furnished

Single
Cylinder Model
*With cylinder
Suffix K
Add \$34

Double
Cylinder Model
*With cylinders
Suffix M
Add \$65

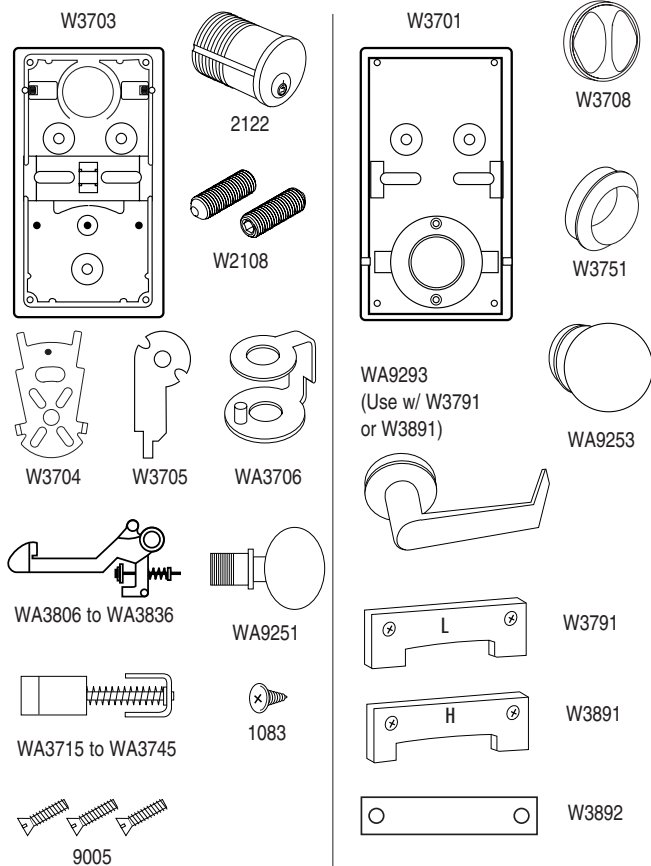


Custom nameplate available.
Consult factory.

| MODEL # | HOOK GAP | CHANNEL SIZE | PRICE LESS CYL.* | WT. / LBS. |
|---------|----------|--------------|------------------|------------|
| W3800 | .825" | 1/2" | 169.75 | 21 |
| W3810 | .950" | 5/8" | 169.75 | 22 |
| W3820 | 1.075" | 3/4" | 169.75 | 21 |
| W3830 | 1.625" | 1-1/4" | 191.11 | 22 |
| W3850 | .825" | 1/2" | 239.45 | 22 |
| W3860 | .950" | 5/8" | 239.45 | 22 |
| W3870 | 1.075" | 3/4" | 239.45 | 22 |
| W3880 | 1.625" | 1-1/4" | 264.18 | 22 |

GATE LOCKS ARE PACKED 12 PER CASE

Parts



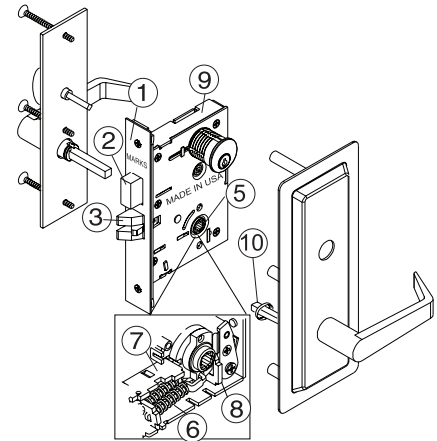
| PART # | DESCRIPTION | PRICE |
|---------|---|--------|
| 1083 | Retainer/fork screw | .82 |
| 2122 | Mortise cylinder | 58.01 |
| W2108 | Cylinder set screw | .82 |
| 9005 | Case screw | .82 |
| W3701 | Cover | 58.01 |
| W3703 | Case | 90.97 |
| W3704 | Fork | 11.87 |
| W3705 | Latch lever | 10.55 |
| W3708 | Turnpiece | 30.32 |
| W3751 | Double cylinder collar with set screw | 58.01 |
| W3791 | Lever stop plate - Swinging gate lock (w/W3892) | 19.78 |
| W3891 | Lever stop plate - Sliding gate lock (w/W3892) | 19.78 |
| W3892 | Lever slide cover | 7.91 |
| WA3706 | Latch adapter | 19.78 |
| WA3715 | Latch assembly - 1-1/8" projection | 43.51 |
| WA3725 | Latch assembly - 1-1/4" projection | 43.51 |
| WA3735 | Latch assembly - 1-3/8" projection | 43.51 |
| WA3745 | Latch assembly - 1-7/8" projection | 58.01 |
| WA3806 | Hook assembly - .825" gap | 58.01 |
| WA3816 | Hook assembly - .950" gap | 58.01 |
| WA3826 | Hook assembly - 1.075" gap | 58.01 |
| WA3836Z | Hook assembly - 1.625" gap | 72.52 |
| WA9251 | Exterior knob assembly | 118.66 |
| WA9253 | Interior knob assembly | 118.66 |
| WA9293 | Interior lever assembly (with W3791 & W3891) | 175.36 |

SERIES HA113 CUSTOM LOCK DIVISION

HOUSING AUTHORITY MORTISE LOCKSET

| SERIES HA113 | | | BHMA CERTIFIED |
|---|-------------------------------|----------|-------------------|
| | | | FINISH GROUPS |
| MARKS # | FUNCTION | ANSI # | 20A |
| KEYED SINGLE CYLINDER, NO DEADBOLT | | | |
| D | OFFICE VESTIBULE | | 649.76 |
| DW | VESTIBULE | | |
| E | OFFICE | F04 | |
| EW | STOREROOM | F07 | |
| GL | INST. PRIVACY | F26 | |
| J | CLASSROOM | F05 | |
| JM, JR | HOSPITAL (HOLDBACK) | F06 | |
| EL | ELECTRICALLY LOCKED | | 1295.03 |
| EU | ELECTRICALLY UNLOCKED | | |
| KEYED SINGLE CYLINDER, WITH DEADBOLT | | | |
| A | ENTRANCE | F08, F10 | 666.63 |
| B | ENTRANCE | F21 | |
| F | DORMITORY | F12 | |
| FS | DORMITORY | | |
| FW | DORMITORY | F13 | |
| FD | APARTMENT | F20 | 714.97 |
| H | HOTEL | F15 | |
| LH | SPEC. PRIVACY | | |
| KEYED DOUBLE CYLINDER, NO DEADBOLT | | | |
| G | ENTRANCE | F09 | 714.97 |
| GC | INTRUDER LATCHBOLT | F32 | |
| GG | CLASSROOM SECURITY | | |
| GR | CLASSROOM SECURITY w/HOLDBACK | | |
| WW | INSTITUTION | F30 | |
| KEYED DOUBLE CYLINDER, WITH DEADBOLT | | | |
| AC | ENTRANCE | F35 | 714.97 |
| C | STOREROOM | F14 | |
| FC | INTRUDER DEADBOLT | F34 | |
| FA | DORMITORY | F11 | |
| FX | DORMITORY | F33 | |
| KEYLESS | | | |
| N | PASSAGE | F01 | 567.70 |
| L | BATHROOM | F02 | 628.41 |
| LF | PRIVACY | F19 | |
| LJ | PRIVACY | F22 | 690.23 |
| EX | EXIT | F31 | 649.76 |

For pricing, finishes and availability, consult factory



Performance Specifications:

Life Test: 1,500,000 cycles minimum.

ANSI Test: Meets or exceeds all operational and security tests of ANSI specifications A156.13-2005 for series 1000, Grade 1.

Fire Test: UL Listed, 3 hour fire rated.
Meets ADA requirements.



Trim Specifications:

"Barrier" Thru-bolted steel lever/plate assemblies with brass machined lever bearings. Screwless forged American levers, 4-1/2" long to meet ADA requirements, fastened to plates with hardened snap rings. Spring loaded 5/16" spindles (no set screws). Dark bronze powder coated finish.

Exterior: Wrought steel lever/plate assembly.

10-1/8" x 4" x 5/64" with 3 concealed welded thru-posts. Center post braces lock body for proper alignment in 1-3/4" thick door. Plate covers cylinder with only the keyway exposed.

Optional Exterior: Plate prepared for IC core cylinder.

Interior: Flat steel lever/plate assembly. 10-3/4" x 3-1/8" x 3/32" thick with 3 each 1/4"-20 mounting bolts. Center bolt passes through lock body to integrate trim with lock.

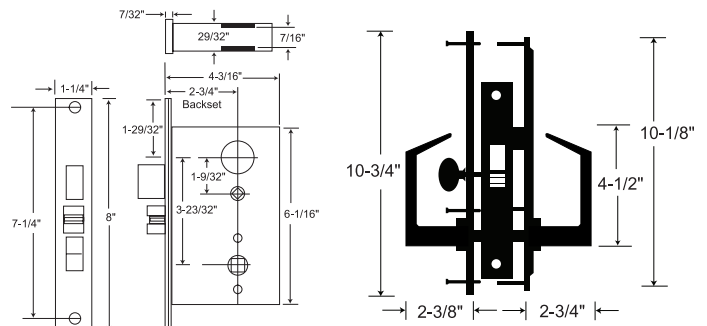
Cylinder: 1-1/8" long, 6 pin, solid brass with spacing collar concealed under exterior "Barrier" plate; 2 keys.

Strike: 4-7/8" x 1-1/4" x 3/32" thick, 5/8" curved lip. Conforms to ANSI spec., A115.1.

Door Thickness: 1-3/4" standard. Extended range available.

Lock Specifications: 5 Series (2-3/4" Backset)

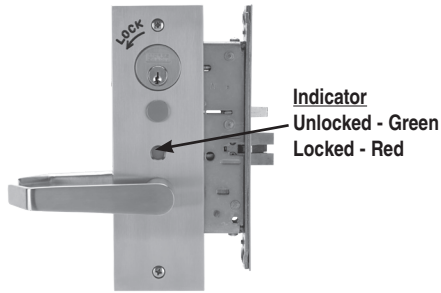
- Lock Front:** Adjustable bevel steel backplate 1-1/4" x 8" x 7/64" thick. Cover plate 1/16" thick.
- Deadbolt:** Stainless steel w/hardened roll pins, 1" throw.
- Latch:** Solid stainless steel with antifriction latch lever, 3/4" throw (reversible).
- Auxiliary deadlatch:** 1/2" throw (reversible) - (not shown).
- Hubs:** Steel, 9/32" on diamond, 5/16" on square w/security separator.
- Independent exterior and interior lever support springs.
- Hub Follower:** (to lock hub) steel 1/8" thick.
- Hub Stop:** (to limit lever travel) steel 1/8" thick.
- Case:** Stamped steel 3/32" thick, zinc dichromate finish.
- Spindles:** Independent spring-loaded spindles, 5/16" square.



CUSTOM LOCK DIVISION

MAXIMUM SECURITY MORTISE LOCKSET

Series LA318GJ



PERFORMANCE SPECIFICATIONS:

LIFE TEST: 1,500,000 cycles, minimum

STRENGTH TEST: 530 inch lbs. torque on exterior lever. When applied, lockset remains locked. (Torque of over 550 inch lbs. will cause spindle failure. However, lockset remains locked once spindle is replaced, lockset is fully operational.)

ANSI TEST: Certified to meet or exceed all operational and security tests of ANSI/BHMA A156.13-2012 for series 1000, Grade 1

FIRE TEST: UL listed, 3 hour fire rated. Meets ADA requirements.

WARRANTY: Lifetime mechanical limited warranty



All other functions available with latch, deadlatch and deadbolt combinations

FUNCTION SPECIFICATION: LA318GJ CLASSROOM INTRUDER

Latch by lever either side except when outside lever is locked from inside or outside by key. When locked, exterior key will retract latchbolt. Outside key locks or unlocks exterior lever. Inside key is single acting in one direction and will lock exterior lever only; will not unlock exterior lever. Auxiliary latch deadlocks latch. Inside always free for egress

TRIM: Cast satin stainless steel escutcheon 8-1/2"x2-3/4"x7/16". Recess in escutcheon to accept cylinder with rotating security cylinder ring. Cast screwless satin stainless steel lever handles to within 1/2" from face of door secured to escutcheon plate with hardened steel retainer ring. Lever handle, with spring-loaded torque sensitive 5/16" spindle. Integral torque override preventer recessed into escutcheon plate. Spindle will yield if excessive torque applied, preventing any damage to lock body.

EXTERIOR: Two 1/4" diameter threaded thru posts.

Two 1/4" diameter center posts pass thru lock body, automatically aligning trim.

INTERIOR: Two #10-32 phillips head stainless steel mounting thru bolts. Escutcheon with "LOCK" and directional arrow engraved and black filled near cylinder location. Occupancy indicator recessed into escutcheon plate. Indicator window to display unlocked (green day-glo) and LocDown™ (red day-glo) positions.

CYLINDERS: Two 1-1/8", 6-pin solid brass with 2101 cam int., 2105 cam ext., with two keys. Outside cylinder rotates in both directions. Inside cylinder rotates in one direction only. Cams supplied to accommodate Corbin™, Sargent™ and Schlage™ cylinders.

STRIKE: 4-7/8" X 1-1/4" X 3/32" thick, 5/8" curved lip.

Conforms to ANSI spec. 115.1.

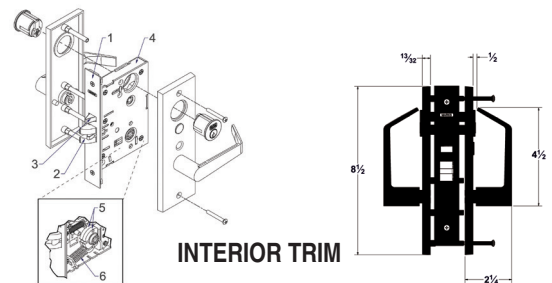
DOOR THICKNESS: 1-3/4"

Lock Body: 5 series "GJ" function double cylinder lock. Lock handing completely reversible without opening lock case.

1. Lock Front – Adjustable bevel steel backplate 1 1/4" x 8 x 7/64" thick. Cover plate 1/16" thick, with philips screws
2. Latch – solid stainless steel w/ antifriction latch lever 3/4" throw
3. Auxiliary Deadlatch – 1/2" throw
4. Case – stamped steel 3/32" thick
5. Hubs – Steel, 9/32" on diamond, 5/16" on square w/ security separator
6. Independent exterior and interior lever support springs

| LA318 | | | FINISH GROUPS |
|---|-------------------------------|----------|---------------|
| MARKS # | FUNCTION | ANSI # | 32D |
| KEYED SINGLE CYLINDER, NO DEADBOLT | | | |
| D | OFFICE VESTIBULE | | 961.16 |
| DW | VESTIBULE | | |
| E | OFFICE | F04 | |
| EW | STOREROOM | F07 | |
| GL | INST. PRIVACY | F26 | |
| J | CLASSROOM | F05 | |
| JM, JR | HOSPITAL (HOLDBACK) | F06 | 1323.14 |
| EL | ELECTRICALLY LOCKED | | |
| EU | ELECTRICALLY UNLOCKED | | |
| KEYED SINGLE CYLINDER, WITH DEADBOLT | | | |
| A | ENTRANCE | F08, F10 | 976.90 |
| B | ENTRANCE | F21 | |
| F | DORMITORY | F12 | |
| FS | DORMITORY | | |
| FW | DORMITORY | F13 | |
| FD | APARTMENT | F20 | 1002.75 |
| H | HOTEL | F15 | |
| LH | SPEC. PRIVACY | | |
| KEYED DOUBLE CYLINDER, NO DEADBOLT | | | |
| G | ENTRANCE | F09 | 1013.99 |
| GC | INTRUDER LATCHBOLT | F32 | |
| GG | CLASSROOM SECURITY | | |
| GR | CLASSROOM SECURITY w/HOLDBACK | | |
| WW | INSTITUTION | F30 | 1042.10 |
| GJ | CLASSROOM SECURITY | | |
| KEYED DOUBLE CYLINDER, WITH DEADBOLT | | | |
| AC | ENTRANCE | F35 | 1013.86 |
| C | STOREROOM | F14 | |
| FC | INTRUDER DEADBOLT | F34 | |
| FA | DORMITORY | F11 | |
| FX | DORMITORY | F33 | |
| KEYLESS | | | |
| N | PASSAGE | F01 | 1013.99 |
| L | BATHROOM | F02 | 848.74 |
| LF | PRIVACY | F19 | |
| LJ | PRIVACY | F22 | 976.90 |
| EX | EXIT | F31 | 913.94 |
| DUMMY TRIM | | | |
| DI, DO | DUMMY TRIM INSIDE/OUTSIDE | | 431.68 |
| DT | DUMMY TRIM | | 864.48 |

For pricing, finishes and availability, consult factory

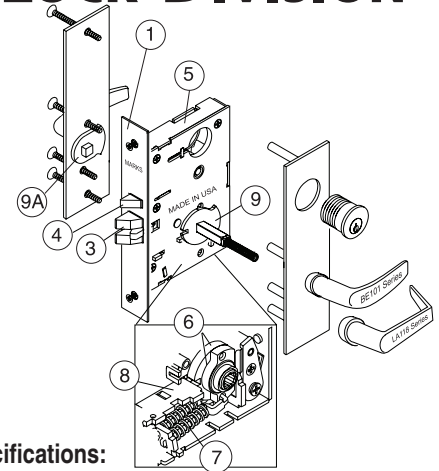


SERIES BE101 & LA118 CUSTOM LOCK DIVISION

MAXIMUM SECURITY MORTISE LOCKSET

| SERIES BE101 & LA118 | | | BHMA CERTIFIED | |
|---|-------------------------------|----------|-------------------|------------|
| | | | FINISH GROUPS | |
| MARKS # | FUNCTION | ANSI # | 32D | 3, 10, 10B |
| KEYED SINGLE CYLINDER, NO DEADBOLT | | | | |
| D | OFFICE VESTIBULE | | 902.70 | 942.05 |
| DW | VESTIBULE | | | |
| E | OFFICE | F04 | | |
| EW | STOREROOM | F07 | | |
| GL | INST. PRIVACY | F26 | | |
| J | CLASSROOM | F05 | | |
| JM, JR | HOSPITAL (HOLDBACK) | F06 | | |
| EL | ELECTRICALLY LOCKED | | 1283.79 | 1381.59 |
| EU | ELECTRICALLY UNLOCKED | | | |
| KEYED SINGLE CYLINDER, WITH DEADBOLT | | | | |
| A | ENTRANCE | F08, F10 | 919.56 | 961.16 |
| B | ENTRANCE | F21 | | |
| F | DORMITORY | F12 | | |
| FS | DORMITORY | | | |
| FW | DORMITORY | F13 | | |
| FD | APARTMENT | F20 | 946.54 | 988.14 |
| H | HOTEL | F15 | | |
| LH | SPEC. PRIVACY | | | |
| KEYED DOUBLE CYLINDER, NO DEADBOLT | | | | |
| G | ENTRANCE | F09 | 958.91 | 997.13 |
| GC | INTRUDER LATCHBOLT | F32 | | |
| GG | CLASSROOM SECURITY | | | |
| GR | CLASSROOM SECURITY w/HOLDBACK | | | |
| WW | INSTITUTION | F30 | | |
| KEYED DOUBLE CYLINDER, WITH DEADBOLT | | | | |
| AC | ENTRANCE | F35 | 958.91 | 997.13 |
| C | STOREROOM | F14 | | |
| FC | INTRUDER DEADBOLT | F34 | | |
| FA | DORMITORY | F11 | | |
| FX | DORMITORY | F33 | | |
| KEYLESS | | | | |
| N | PASSAGE | F01 | 783.54 | 821.76 |
| L | BATHROOM | F02 | 919.56 | 961.16 |
| LF | PRIVACY | F19 | | |
| LJ | PRIVACY | F22 | 850.99 | 891.46 |
| EX | EXIT | F31 | 850.99 | 891.46 |
| DUMMY TRIM | | | | |
| DI, DO | DUMMY TRIM INSIDE/OUTSIDE | | 395.70 | 415.94 |
| DT | DUMMY TRIM | | 792.53 | 891.46 |

For pricing, finishes and availability, consult factory



Performance Specifications:

Life Test: 1,500,000 cycles minimum.

ANSI Test: Meets or exceeds all operational and security tests of ANSI specifications A156.13-2005 for series 1000, Grade 1.

Fire Test: UL Listed, 3 hour fire rated.

Meets ADA requirements.



Trim Specifications:

"Barrier" Thru-bolted steel lever/plate assemblies with brass machined lever bearings. Screwless forged American levers, 4-1/2" long to meet ADA requirements, fastened to plates with hardened snap rings. Spring loaded 5/16" spindles (no set screws). Dark bronze powder coated finish.

Exterior: Wrought steel lever/plate assembly.

10-1/8" x 4" x 5/64" with 3 concealed welded thru-posts. Center post braces lock body for proper alignment in 1-3/4" thick door. Plate covers cylinder with only the keyway exposed.

Optional Exterior: Plate prepared for IC core cylinder.

Interior: Flat steel lever/plate assembly. 10-3/4" x 3-1/8" x 3/32" thick with 3 each 1/4"-20 mounting bolts. Center bolt passes through lock body to integrate trim with lock.

Cylinder: 1-1/8" long, 6 pin, solid brass with spacing collar concealed under exterior "Barrier" plate; 2 keys.

Strike: 4-7/8" x 1-1/4" x 3/32" thick, 5/8" curved lip. Conforms to ANSI spec., A115.1.

Door Thickness: 1-3/4" standard. Extended range available.

Lock Specifications: 5 Series (2-3/4" Backset)

1. Lock Front: Adjustable bevel steel backplate 1-1/4" x 8" x 7/64" thick. Cover plate 1/16" thick.

2. Deadbolt: Stainless steel w/hardened roll pins, 1" throw.

3. Latch: Solid stainless steel with antifriction latch lever, 3/4" throw (reversible).

4. Auxiliary deadlatch: 1/2" throw (reversible) - (not shown).

5. Hubs: Steel, 9/32" on diamond, 5/16" on square w/security separator.

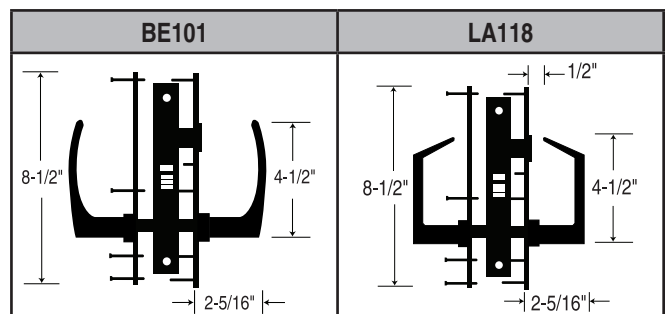
6. Independent exterior and interior lever support springs.

7. Hub Follower: (to lock hub) steel 1/8" thick.





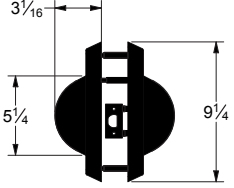
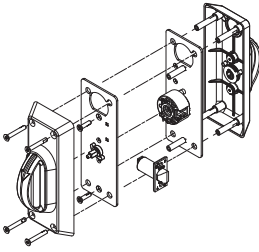
8. Hub Stop: (to limit lever travel) steel 1/8" thick.

9. Case: Stamped steel 3/32" thick, zinc dichromate finish.

10. Spindles: Independent spring-loaded spindles, 5/16" square.



GRADE 1 195BH LifeSaver™ D-LIG SLIDE CYLINDRICAL LOCKSETS

| | | | | |
|---|---|---|--|---------------------|
|  |  | ANSI-A156.2 • Grade 1 3 Hour Fire Rating |  | 195BH SERIES |
| 195SS Series Leversets Shown Below | | | Standard Features | |
|  |  |  | <ul style="list-style-type: none"> • Rating: ANSI A156.2 Grade 1, UL Listed 3Hr Fire Rating • 5- Point Ligature Resistant slide Trim • Backset: 2 3/4" Standard, 2 3/8", 3 3/4" and 5" available • Latch: #1834, stainless Steel Nose • Ergonomic solid cast Stainless Steel Slide, Slides down freely in the locked or unlocked position • Escutcheon Plate solid cast Stainless Steel thru bolted for strength and easy installation • Designed to meet BHMA 156.34 Anti Ligature Trim Standard • Tamper Resistant mounting screws • Strike: #1135, 4 7/8" ASA curved lip Strike • Door Thickness: 1 3/4" • Cylinder: Marks C Keyway, 6 pin w/2 keys – Available in IC and All OEM cylinder preps • Marks Hi-Security Cylinder available • Marks Stainless Steel Retractor - Long life 3X the BHMA Grade 1 cycle Standard • Antimicrobial Finish available – Code AM • Marks Lifetime Mechanical Warranty • Available in Most BHMA ANSI Functions | |

| SERIES 195BH | | | | | |
|--------------|-----------------------|-----------------------|--------|--------|---------|
| MARKS # | | DESCRIPTION | ANSI # | FINISH | PRICE |
| COMM. CYL. | ACCEPTS IC CORE CYL.* | | | | |
| N | — | PASSAGE | F75 | 32D | 1351.85 |
| L | — | PRIVACY | F76 | | 1351.85 |
| B | RB | ENTRY | F82A | | 1528.18 |
| S | RS | CLASSROOM | F84 | | 1528.18 |
| F | RF | STOREROOM | F86 | | 1528.18 |
| DW | RDW | INSTITUTION | F87 | | 1704.51 |
| DB | RDB | CLASSROOM INTRUDER | F110 | | 1645.73 |
| DO | — | DUMMY TRIM OUTSIDE | — | | 1293.08 |
| DT | — | FULL DUMMY TRIM | — | | 646.54 |
| NB | — | COMM. PASSAGE | F111 | | 1316.59 |
| FB | RFB | COMM. STOREROOM | F112 | | 1398.87 |
| SB | RSB | COMM. CLASSROOM | F113 | | 1398.87 |
| FEL | RFEL | ELECTRICALLY LOCKED | | | 1704.51 |
| FEU | RFEU | ELECTRICALLY UNLOCKED | | | 1704.51 |

PACKED 6 PER CASE

| OPTIONS | CODE | PRICE | OPTIONS | CODE | PRICE |
|--|------|-----------|-------------------------------|------|-------|
| For 2" doors | D1 | 50 | Sargent conventional cylinder | F8 | 25 |
| For 2-1/4" doors, Consult Factory | D2 | | Corbin conventional cylinder | F9 | 25 |
| Over 2-1/4" - 4" thickness | D9 | 700 | Corbin 6 pin IC core | F12 | 37 |
| 2-3/8" backset, 1" x 2-1/4" face | E6 | NC | Yale 6 pin IC core | F14 | 25 |
| 5" backset, 9/16" throw, Gr. 1 | E9 | 50 | Sargent IC core | F20 | 25 |
| 3-3/4" backset, 9/16" throw, Gr. 1 | E10 | 50 | Medeco IC core large format | F21 | 25 |
| Less cylinder | G3 | Deduct 17 | Schlage Large Format IC Core | F19 | 25 |
| 2-3/4" "T" strike | S3 | NC | 7-Pin Yale IC Core | F15 | 25 |

| TAILPIECES FOR 195BH | | |
|----------------------|----------------------------|---------------|
| P/N | FITS | OPTION CODE |
| MH119 | YALE / MEDECO IC CORE | F14, F15, F21 |
| MH140 | CONVENTIONAL (K.I.L.) CYL | N/A |
| MH144 | BEST | R, F20 |
| MH146 | CORBIN IC | F12, F13 |
| MH1903S-C | SCHLAGE IC / CORBIN K.I.L. | F19, F9 |

★ **Standard & HI-SECURITY™ IC Core Models:** Interchangeable Core models for 6 or 7 pin cores (not included). **Accepts:** Marks, Marks HI-SECURITY™, Medeco®, KeyMark™, Falcon, Schlage® small format & Best®. **IC Core Tailpieces ARE Included.**



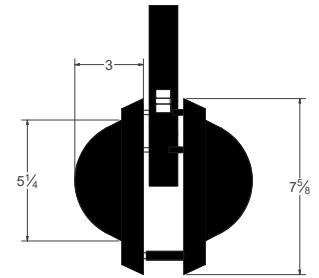
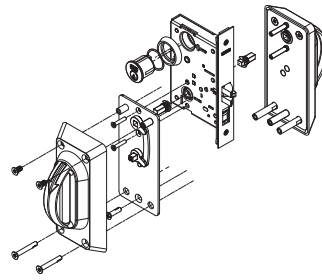
Antimicrobial Finish Available
Option Code: AM

Institutional Life Safety

GRADE 1 SERIES 5BH29 D-LIG SLIDE MORTISE LOCKSET

INSTITUTIONAL LifeSaver™ MORTISE LOCKSETS

| BHMA CERTIFIED | | C UL US LISTED | | FINISH 32D |
|---|-----------------------|----------------|---------|------------|
| SERIES 5 | | | | 5BH |
| MARKS # | FUNCTION | ANSI # | | |
| KEYED SINGLE CYLINDER, NO DEADBOLT | | | | |
| D | OFFICE VEST. | | 1998.39 | |
| DW | VESTIBULE | | | |
| E | OFFICE | F04 | | |
| EW | STOREROOM | F07 | | |
| J | CLASSROOM | F05 | | |
| GL | INSTIT. PRIVACY | F26 | | |
| EL | ELECTRICALLY LOCKED | | 2386.31 | |
| EU | ELECTRICALLY UNLOCKED | | | |
| KEYED SINGLE CYLINDER, WITH DEADBOLT | | | | |
| A | ENTRANCE | F08, F10 | 2014.85 | |
| B | ENTRANCE | F21 | | |
| F | DORMITORY | F12 | | |
| FS | DORMITORY | | | |
| FW | DORMITORY | F13 | | |
| KEYED DOUBLE CYLINDER, NO DEADBOLT | | | | |
| G | APARTMENT | F09 | 2052.47 | |
| GC | INTRUDER LATCHBOLT | F32 | | |
| GG | CLASSROOM SECURITY | | | |
| WW | INSTITUTIONAL | F30 | | |
| KEYED DOUBLE CYLINDER, WITH DEADBOLT | | | | |
| AC | ENTRANCE | F35 | 2052.47 | |
| C | STOREROOM | F14 | | |
| FA | DORMITORY | F11 | | |
| FX | DORMITORY | F33 | | |
| KEYLESS | | | | |
| N | PASSAGE | F01 | 1884.37 | |
| L | BATHROOM | F02 | 2014.85 | |
| LF | PRIVACY | F19 | | |
| LJ | PRIVACY | F22 | | |
| EX | EXIT | F31 | 1950.19 | |
| DUMMY TRIM | | | | |
| DI | DUMMY TRIM INSIDE | | 587.76 | |
| DO | DUMMY TRIM OUTSIDE | | | |
| DT | FULLY DUMMY | | 1316.59 | |

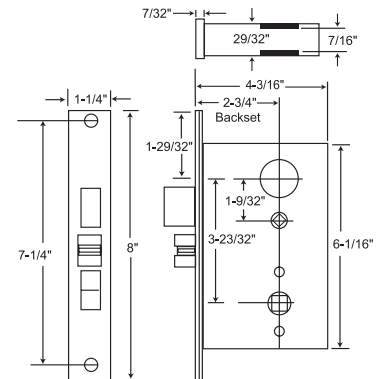


Performance Specifications:

- **Rating:** ANSI A156.13 Grade 1, UL Listed 3Hr Fire Rating
- 5- Point Ligature Resistant slide Trim
- **Backset:** 2 3/4" Standard, 2 1/2" Consult Factory
- **Latch:** #1834, stainless Steel Nose
- **Ergonomic solid cast Stainless Steel Slide,** Slides down freely in the locked or unlocked position
- **Escutcheon Plate solid cast Stainless Steel** thru bolted for strength and easy installation
- Designed to meet **BHMA 156.34 Anti Ligature Trim Standard**
- Tamper Resistant mounting screws
- Ligature Resistant ADA Thumbturn available where applicable
- **Strike:** #1135, 4 7/8" ASA curved lip Strike
- **Door Thickness:** 1 3/4"
- **Cylinder:** Marks C Keyway, 6 pin w/2 keys
- Available in IC and All OEM cylinder preps
- Marks Hi-Security Cylinder available
- **Marks Stainless Steel Retractor** - Long life 3X the BHMA Grade 1 cycle Standard
- Antimicrobial Finish available – Code AM
- **Marks Lifetime Mechanical Warranty**
- Available in Most BHMA ANSI Functions



Institutional Life Safety




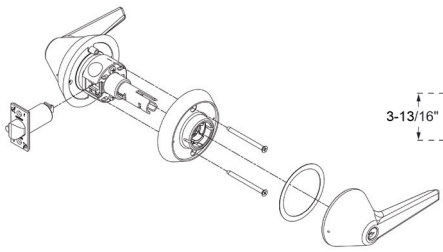
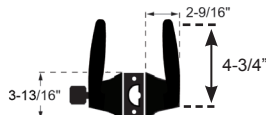


*** Standard & HI-SECURITY™ IC Core Models:** 
 Interchangeable Core models for 6 or 7 pin cores (not included).
Accepts: Marks, Marks HI-SECURITY™, Medeco®, KeyMark™, Falcon, Schlage® small format & Best®, IC Core Tailpieces ARE Included.

Antimicrobial Finish Available
Option Code: AM

| How To Order | | | | | |
|----------------------|----------------------|----------|--------------|----------|---------------|
| 5BH29 | J | / | 32D | — | G3 |
| 1. Lockset Series | 2. Marks Function | Slash | 3. Finish | Dash | 4. Options |

GRADE 1 195SS LifeSaver™ CYLINDRICAL LEVERSETS

| | | | | |
|---|---|---|--|---------------------|
|  |  | ANSI-A156.2 • Grade 1 3 Hour Fire Rating |  | 195SS SERIES |
| 195SS Series Leversets Shown Below | | | Standard Features | |
|   | | | <ul style="list-style-type: none"> • ANSI-A156.2 Grade 1, UL listed 3 Hr. Fire Rating • Backset: 2-3/4" Standard, 2-3/8", 3-3/4", 5" Available • Latch #1834, stainless steel nose • Levers: Solid cast stainless steel. Levers Rotate up & down freely in locked or unlocked position • Levers recessed into solid stainless steel roses eliminating any open gap • Roses: Thru-bolted, spring loaded, #10 thru-bolts • Strike: #1135, 4-7/8" ASA curved lip strike • Door thickness: 1-3/4" +/- 1/16" • Cylinder: MARKS "C" keyway, 6 pin w/ 2 keys • Stainless steel retractor | |

| SERIES 1SS19 | | | | | |
|--------------|-----------------------|-----------------------|----------|---------|---------|
| MARKS # | | DESCRIPTION | ANSI # | FINISH | PRICE |
| COMM. CYL. | ACCEPTS IC CORE CYL.* | | | | |
| N | — | PASSAGE | F75 | 32D | 985.06 |
| L | — | PRIVACY | F76 | | 1010.95 |
| LK | — | PRIVACY | F76 MOD. | | 1042.69 |
| P | — | PATIO | F77 | | 1005.07 |
| DC | RDC | COMMUNICATING | F80 | | 1081.48 |
| B | RB | ENTRY | F82A | | 1030.93 |
| AQ | — | EXIT | F83 | | 1016.83 |
| S | RS | CLASSROOM | F84 | | 1030.93 |
| F | RF | STOREROOM | F86 | | 1030.93 |
| DW | RDW | INSTITUTION | F87 | | 1081.48 |
| DA | RDA | VESTIBULE | F88 | | 1081.48 |
| FQ | — | EXIT | F89 | | 1016.83 |
| T | — | CORRIDOR | F90 | | 1042.69 |
| TK | — | HOSPITAL/PRIV. | F90 MOD. | | 1005.07 |
| GB | RGB | STORE DOOR | F91 | | 1042.69 |
| BS | RBS | SVC. STATION LOCK | F92 | | 1093.24 |
| DO | — | DUMMY TRIM OUTSIDE | — | | 813.46 |
| DT | — | FULL DUMMY TRIM | — | | 934.54 |
| NB | — | COMM. PASSAGE | F111 | | 960.40 |
| FB | RFB | COMM. STOREROOM | F112 | | 1022.71 |
| SB | RSB | COMM. CLASSROOM | F113 | 1022.71 | |
| FEL | RFEL | ELECTRICALLY LOCKED | | 1234.30 | |
| FEU | RFEU | ELECTRICALLY UNLOCKED | | 1234.30 | |

PACKED 6 PER CASE

| OPTIONS | CODE | PRICE | OPTIONS | CODE | PRICE |
|---|-------|-----------|-------------------------------|------|-------|
| For 2" doors Consult Factory | D1 | — | Sargent conventional cylinder | F8 | 25 |
| For 2-1/4" doors, Consult Factory | D2 | — | Corbin conventional cylinder | F9 | 25 |
| Over 2-1/4" - 4" thickness | D9 | 700 | Corbin 6 pin IC core | F12 | 37 |
| 2-3/8" backset, 1" x 2-1/4" face | E6 | NC | Yale 6 pin IC core | F14 | 25 |
| 5" backset, 9/16" throw, Gr. 1 Consult Factory | E9 | 50 | Sargent IC core | F20 | 25 |
| 3-3/4" backset, 9/16" throw, Gr. 1 | E10 | 50 | Medeco IC core large format | F21 | 25 |
| Less cylinder | G3 | Deduct 17 | | | |
| 2-3/4" "T" strike | S3 | NC | | | |
| Spacer for K1904GB/SS1 | 195SS | 450 | | | |

How To Order

| | | | | | |
|-----------------------------|-----------------------------|--------------------|---------------------|-------------------|----------------------|
| 195SS | F | / | 32D | — | G3 |
| 1. <i>Lockset Series</i> | 2. <i>Marks Function</i> | 3. <i>Slash</i> | 3. <i>Finish</i> | 4. <i>Dash</i> | 4. <i>Options</i> |

*** Standard & HI-SECURITY™ IC Core Models:** Interchangeable Core models for 6 or 7 pin cores (not included). **Accepts:** Marks, Marks HI-SECURITY™, Medeco®, KeyMark™, Falcon, Schlage® small format & Best®. **IC Core Tailpieces ARE Included.**





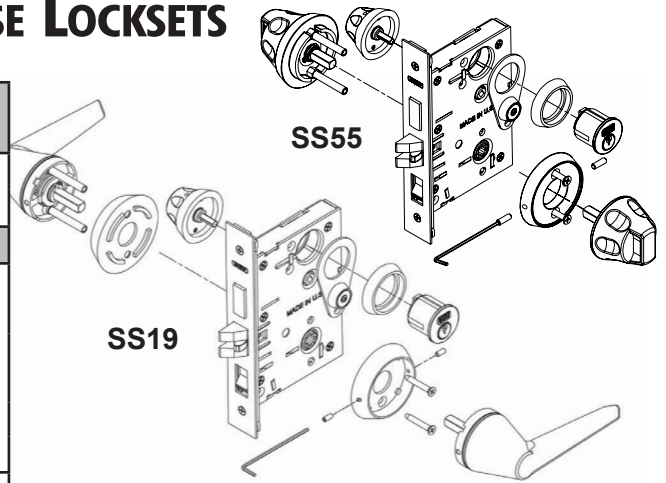
Antimicrobial Finish Available
Option Code: AM

Institutional Life Safety

SERIES 5SS55 KNOB & 5SS19 LEVER

INSTITUTIONAL LifeSaver™ MORTISE LOCKSETS

|  SERIES 5  | | | FINISH 32D | |
|---|-----------------------|----------|---------------|---------------|
| MARKS # | FUNCTION | ANSI # | SS55 Knob | SS19 Lever |
| KEYED SINGLE CYLINDER, NO DEADBOLT | | | | |
| D | OFFICE VEST. | | 1290.72 | 1290.72 |
| DW | VESTIBULE | | | |
| E | OFFICE | F04 | | |
| EW | STOREROOM | F07 | | |
| J | CLASSROOM | F05 | | |
| GL | INSTIT. PRIVACY | F26 | | |
| EL | ELECTRICALLY LOCKED | | 1666.90 | 1666.90 |
| EU | ELECTRICALLY UNLOCKED | | | |
| KEYED SINGLE CYLINDER, WITH DEADBOLT | | | | |
| A | ENTRANCE | F08, F10 | 1497.99 | 1497.99 |
| B | ENTRANCE | F21 | | |
| F | DORMITORY | F12 | | |
| FS | DORMITORY | | | |
| FW | DORMITORY | F13 | | |
| KEYED DOUBLE CYLINDER, NO DEADBOLT | | | | |
| G | APARTMENT | F09 | 1325.99 | 1325.99 |
| GC | INTRUDER LATCHBOLT | F32 | | |
| GG | CLASSROOM SECURITY | | | |
| WW | INSTITUTIONAL | F30 | | |
| KEYED DOUBLE CYLINDER, WITH DEADBOLT | | | | |
| AC | ENTRANCE | F35 | 1325.99 | 1325.99 |
| C | STOREROOM | F14 | | |
| FA | DORMITORY | F11 | | |
| FX | DORMITORY | F33 | | |
| KEYLESS | | | | |
| N | PASSAGE | F01 | 1243.70 | 1184.48 |
| L | BATHROOM | F02 | 1478.88 | 1408.39 |
| LF | PRIVACY | F19 | | |
| LJ | PRIVACY | F22 | 1514.08 | 1441.98 |
| EX | EXIT | F31 | | |
| DUMMY TRIM | | | | |
| DI | DUMMY TRIM INSIDE | | 686.51 | 686.51 |
| DO | DUMMY TRIM OUTSIDE | | | |
| DT | FULLY DUMMY | | | |



Performance Specifications:

Life Test: 1,500,000 cycles minimum.

ANSI Test: Meets or exceeds all operational and security tests of ANSI specifications A156.13-2005 for series 5000, Grade 1.

Trim Specifications:

Exterior & Interior Trim:

- Solid stainless steel interior and exterior tapered knobs or levers recessed into thru-bolted roses.
- Safety knobs with recessed grip and finger indents (*Patent #D587556*). Safety lever for handicapped access on clutch operated Mortise lock.
- Ergonomically designed grooved turn knob for deadbolt functions.

Cylinder: Solid stainless steel cylinders with solid stainless steel security collars; Optional HI-SECURITY™ cylinders available

Strike: 4-7/8" curved lip stainless steel w/tamperproof screws

Door Thickness: 1-3/4" standard; Extended range available

Door Prep: ANSI A115.1 lock face cutout, with 2-1/8" through hole for knob/rose assembly

Lock Specifications: 5 Series (2-3/4" Backset) 55 Series (2-1/2" Backset)

Lock Front: Adjustable bevel steel backplate 1-1/4" x 8" x 7/64" thick, Cover plate 1/16" thick with tamper proof screws

Latch: Solid stainless steel with antifriction latch lever, 3/4" throw (reversible)

Levers: Solid cast stainless steel. **Levers Rotate up & down freely in locked or unlocked position**

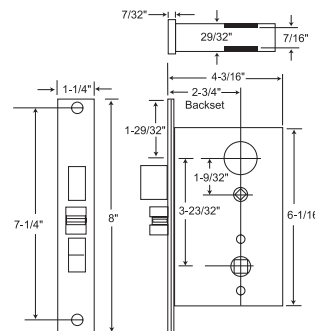
Aux. Deadlatch: 1/2" throw, (reversible)

Case: Stamped steel 3/32" thick, zinc dichromate finish

Hubs: Steel, 9/32" on diamond, 5/16" on square w/security separator

Hub Lock Arm: (to lock hub) Steel 1/8" thick

Spindles: Independent spring-loaded spindles



**Antimicrobial
Finish Available
Option Code: AM**

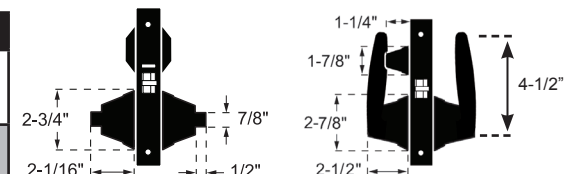
Standard & HI-SECURITY™ IC Core Models:

Interchangeable Core models for 6 or 7 pin cores (not included).

Accepts: Marks, Marks HI-SECURITY™, Medeco®, KeyMark™, Falcon, Schlage® small format & Best®. **IC Core Tailpieces ARE Included.**

How To Order

| | | | | | | |
|----------------------|-----------------------|-------------------|----------|------------|----------|------------|
| 5SS55 Knob | 5SS19 Lever | J | / | 32D | — | G3 |
| 1. Lockset Series | | 2. Marks Function | | 3. Finish | | 4. Options |



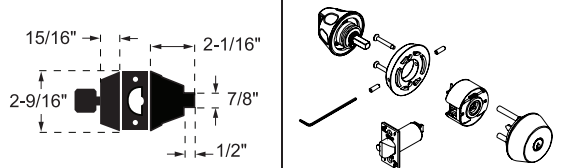
SERIES 180SS INSTITUTIONAL LifeSaver™ LOCKSETS

INSTITUTIONAL LIFE SAFETY CYLINDRICAL KNOBSETS & LOCKSETS

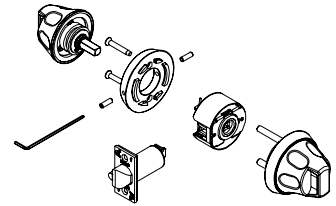
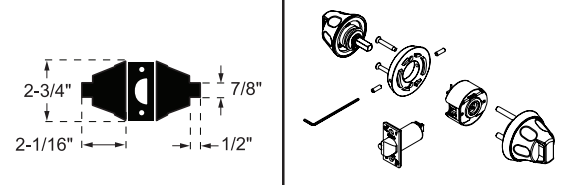
| SERIES 180SS | | | FINISH GROUPS |
|---|-----------------|--------|---------------|
| MARKS # | FUNCTION | ANSI # | 32D |
| KEYED SINGLE CYLINDER, WITH DEADBOLT | | | |
| K | CYLINDER x KNOB | E0121 | 1298.95 |
| KEYLESS | | | |
| N | PASSAGE | F75 | 1298.95 |

★ **Standard & HI-SECURITY™ IC Core Models:** 
 Interchangeable Core models for 6 or 7 pin cores (not included).
Accepts: Marks, Marks HI-SECURITY™, Medeco®, KeyMark™, Falcon, Schlage® small format & Best®. **IC Core Tailpieces ARE Included.**

180SSK: Function E0121; Latch by knob inside, key outside.



180SSN: Function F75; Latch by knob either side, always open.




Antimicrobial Finish Available
Option Code: AM

Performance Specifications

Life Test: 1,500,000 cycles minimum.

ANSI Test: Meets or exceeds all operational and security tests of ANSI specifications A156.2-2003 for series 1000, Grade 1.

Fire Test: UL Listed, 3 Hour fire rated. 

Exterior & Interior Trim:

- Solid stainless steel interior and exterior tapered knobs recessed into thru-bolted roses
- Specially designed finger indented safety knobs with recessed grip and ergonomically designed integral grooved turn knob for elderly and handicapped access (Patent #D587556)
- Needle bearings ensure smoothness of operation

1SS55K Cylindrical Deadlatch Lockset: ANSI E0121 Cylinder x Knob

Strike: #1136, 2-3/4" "T" strike; #1135 4-7/8" ASA strike optional

Door Prep: ANSI 115.2

Latch: ANSI 156.2, Grade 1, 3 Hour fire rated

Door Thickness: 1-3/4"

Backset: 2-3/4" Backset; 3-3/4" and 5" backsets also available

Latch Face: 1-1/8" x 2-1/4" with tamper proof screws

Cylinder: Solid brass cylinder, 6-pin, "C" keyway;
 Optional HI-SECURITY™ cylinders available

1SS55N Cylindrical Lockset: ANSI F75 Passage

Strike: #1136, 2-3/4" "T" strike

Door Prep: ANSI 115.2

Latch: ANSI 156.2, Grade 1, 3 Hour fire rated

Backset: 2-3/4" backset standard, 2-3/8" backset optional;
 3-3/4" and 5" backsets also available


Latch Face: 1-1/8" x 2-1/4" with tamper proof screws

Latch Throw: 9/16"

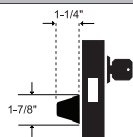
Institutional Life Safety

SERIES 31SS55 INSTITUTIONAL LifeSaver™ LOCKSETS

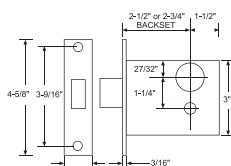
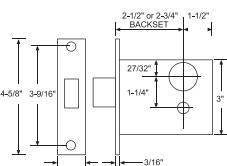
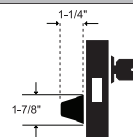
INSTITUTIONAL LIFE SAFETY MORTISE DEADLOCK

| SERIES 31SS55 | | |  FINISH GROUPS |
|---|-----------------|--------|---|
| MARKS # | FUNCTION | ANSI # | 32D |
| KEYED SINGLE CYLINDER, WITH DEADBOLT | | | |
| K | CYLINDER x KNOB | E06071 | 540.01 |
| S | CLASSROOM | E06091 | 576.01 |

31SS55K: Function E06071; Deadbolt by outside key. Interior safety knob will retract but not project deadbolt.




31SS55S: Function E06091; Deadbolt by outside key. Turnpiece will retract but not project deadbolt.

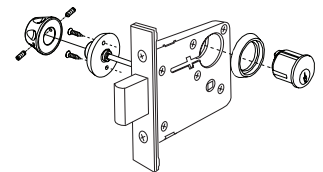


Performance Specifications:

Life Test: 1,500,000 cycles minimum.

ANSI Test: Meets or exceeds all operational and security tests of ANSI/BHMA Certified A156.5-2001 for series 31, Grade 1.

Fire Test: UL Listed, 3 Hour fire rated. 



Trim Specifications:

Interior Trim: Solid stainless steel interior trim including finger indented safety knobs which recess into solid brass through-bolted roses.

Series 31 Deadlock Specifications:

Backset: 2-3/4"

Bolt throw: 1" stainless steel w/hardened roll pins

Case: Stamped Steel

Front: 1-1/16" x 4-5/8" adjustable bevel

Cylinder: Solid brass cylinder, 6-pin, "C" keyway, 2 keys.
 Optional HI-SECURITY™ cylinders available.


Strike: #4035 Included


Antimicrobial Finish
Option Code: AM

★ **Standard & HI-SECURITY™ IC Core Models:** 
 Interchangeable Core models for 6 or 7 pin cores (not included).
Accepts: Marks, Marks HI-SECURITY™, Medeco®, KeyMark™, Falcon, Schlage® small format & Best®. **IC Core Tailpieces ARE Included.**

SERIES 180PD & 5PD HOSPITAL LifeSaver™ LOCKSETS

CYLINDRICAL & MORTISE PUSH/PULL PADDLESETS

| Hospital Push/Pull Standard Features | | | |
|--|----------|--|---|
| <ul style="list-style-type: none"> 1-3/4" door thickness, self adjusting for thicker doors Variable mounting positions | | <ul style="list-style-type: none"> Non-Handed Easily reversible configuration for push or pull styles | |
| 180PD Cylindrical Standard Features | | SERIES 180PD • ANSI-A156.2 • Grade 1 | |
| <ul style="list-style-type: none"> 2-3/4" backset std., 2-3/8", 3-3/4" & 5" optional 2-3/4" "T" strike; 4-7/8" ASA strike optional Government standard #161 door prep | |  LEAD LINING & ENGRAVING AVAILABLE | |
| MARKS # | FUNCTION | ANSI # | FINISH: 32D Standard Consult Factory for Additional Finishes |
| N | PASSAGE | F75 | 349.76 |
| PUSH/PULLS ARE PACKED 6 PER CASE | | | |

| 5PD, 55PD Mortise Standard Features | | SERIES 5PD, 55PD • ANSI-A156.13 • Grade 1 | |
|--|----------|--|---|
| <ul style="list-style-type: none"> 5 Series Backset: 2-3/4"; 55 Series Backset: 2-1/2" Strike: #9035, 4-7/8" ASA curved lip strike | |  LEAD LINING & ENGRAVING AVAILABLE | |
| MARKS # | FUNCTION | ANSI # | FINISH: 32D Standard Consult Factory for Additional Finishes |

| KEYED SINGLE CYLINDER, NO DEADBOLT | | | |
|------------------------------------|-----------------------|-----|----------------|
| D | OFFICE VEST. | | 889.87 |
| DW | VESTIBULE | | |
| E | OFFICE | F04 | |
| EW | STOREROOM | F07 | |
| J | CLASSROOM | F05 | |
| JM, JR | HOSPITAL | F06 | |
| GL | INSTITUTIONAL PRIVACY | F26 | 1288.37 |
| EL | ELECTRICALLY LOCKED | | |
| EU | ELECTRICALLY UNLOCKED | | |

| KEYED SINGLE CYLINDER, WITH DEADBOLT | | | |
|--------------------------------------|-----------------|----------|---------------|
| A | ENTRANCE | F08, F10 | 908.68 |
| B | ENTRANCE | F21 | |
| F | DORMITORY | F12 | |
| FS | DORMITORY | | |
| FW | DORMITORY | F13 | |
| FD | APARTMENT | F20 | 935.72 |
| H | HOTEL | F15 | |
| LH | SPECIAL PRIVACY | | |

| KEYED DOUBLE CYLINDER, NO DEADBOLT | | | |
|------------------------------------|-----------------------------------|-----|---------------|
| G | APARTMENT | F09 | 947.47 |
| GC | INTRUDER LATCHBOLT | F32 | |
| GG | CLASSROOM SECURITY | | |
| GR | CLASSROOM SECURITY w/ HOLDBACK | | |
| WW | INSTITUTIONAL | F30 | |

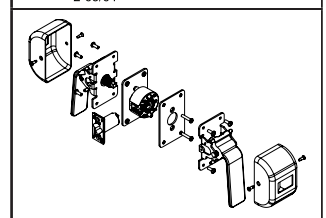
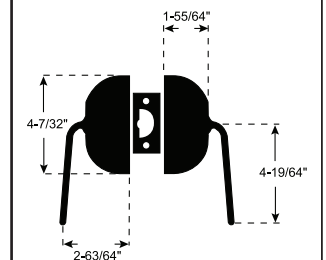
| KEYED DOUBLE CYLINDER, WITH DEADBOLT | | | |
|--------------------------------------|-------------------|-----|---------------|
| AC | ENTRANCE | F35 | 947.47 |
| C | STOREROOM | F14 | |
| FC | INTRUDER DEADBOLT | F34 | |
| FA | DORMITORY | F11 | |
| FX | DORMITORY | F33 | |

| KEYLESS | | | |
|---------|----------|-----|---------------|
| N | PASSAGE | F01 | 766.44 |
| L | BATHROOM | F02 | 908.68 |
| LF | PRIVACY | F19 | |
| LJ | PRIVACY | F22 | 833.45 |
| EX | EXIT | F31 | |

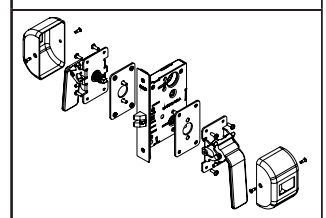
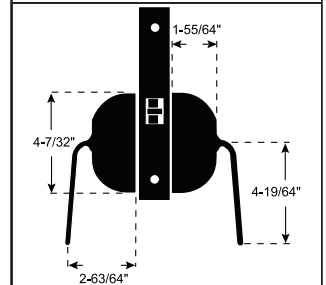
How To Order

| | | | | | |
|--------------------------|--------------------------|--------------|------------------|-------------|-------------------|
| 5PD or 180PD | F | / | 32D | — | G3 |
| <i>1. Lockset Series</i> | <i>2. Marks Function</i> | <i>Slash</i> | <i>3. Finish</i> | <i>Dash</i> | <i>4. Options</i> |

180PD Cylindrical Paddleset



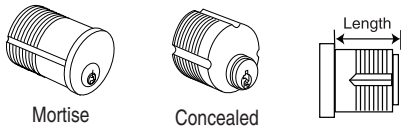
5PD Mortise Paddleset



Hospital Push/Pull Paddlesets

MORTISE LOCK CYLINDERS

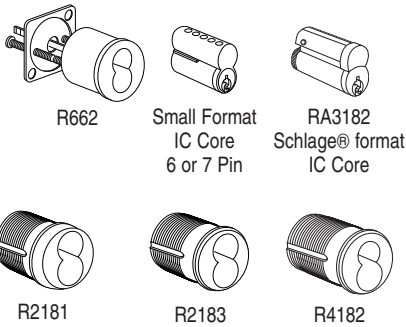
Cylinders



Mortise

Concealed

IC Core Cylinder Housings



R662

Small Format
IC Core
6 or 7 Pin

RA3182
Schlage® format
IC Core

R2181

R2183

R4182

IC core pricing includes KA, KD or MK keying.

* **Standard & HI-SECURITY™ IC Core Models:** 
Interchangeable Core models for 6 or 7 pin cores (not included).
Accepts: Marks, Marks HI-SECURITY™, Medeco®, KeyMark™, Falcon,
Schlage® small format & Best®. **IC Core Tailpieces ARE Included.**

| PART # | DESCRIPTION | PINS | LENGTH | FINISH GROUPS | |
|--------|-----------------------------------|--------|--------|---------------|-------------------------|
| | | | | 3, 26D | 5, 10, 10B, 15, 26, 32D |
| 2181 | Mortise | 6 | 2-7/8" | 430.50 | — |
| 2182 | Mortise | 6 | 1-1/8" | 108.52 | 120.94 |
| 2183 | Mortise | 6 | 1-1/4" | 108.52 | 120.94 |
| 2193 | Concealed | 5 | 15/16" | 144.73 | — |
| 2194 | Concealed | 6 | 1-1/8" | 152.66 | — |
| 2196 | Mortise | 6 | 2-3/8" | 600.75 | — |
| 2197 | Mortise | 6 | 1-3/4" | 232.03 | 243.86 |
| 2198 | Mortise | 6 | 1-1/2" | 186.36 | 192.32 |
| 662 | Rim | 6 | — | 109.04 | 120.94 |
| R2181 | Mortise IC Core Housing | 6 | 1" | 109.04 | 120.94 |
| R2182 | Mortise IC Core Housing | 6 | 1-1/4" | 99.13 | 105.08 |
| R2183 | Mortise IC Core Housing | 6 or 7 | 1-3/8" | 99.13 | 105.08 |
| R2184 | IC Core Cylinder Housing | 6 or 7 | 1-3/4" | 229.99 | 229.99 |
| R3182 | Schlage® type IC Core, Uncombined | 6 | — | 229.99 | — |
| R4182 | Schlage® type IC Core Housing | 6 | 1-1/2" | 265.67 | 273.61 |
| R662 | Rim IC Core Housing | 6 or 7 | 1-3/8" | 115.00 | 120.94 |
| R1182 | 6 Pin Core, Uncombined | | | 87.23 | — |
| R1183 | 7 Pin Core, Uncombined | | | 87.23 | — |
| RA1182 | 6 Pin Core, Combined | | | 1288.88 | 132.84 |
| RA1183 | 7 Pin Core, Combined | | | 128.88 | 132.84 |
| RA3182 | Schlage® type IC Core, Combined | 6 | | 273.61 | — |
| RC1182 | 6 Pin Core, Construction Core | | | 91.20 | — |
| RC1187 | Plastic Core Turn Knob | | | 17.84 | — |
| RC3182 | Schlage® type Construction Core | | | 229.99 | — |
| RM1182 | Marketry Core | | | 95.17 | — |

Cylinder Cams



2101

2102

2104

2105

2106

2107-CL

| PART # | DESCRIPTION | USE WITH MORTISE LOCK | CODE | PRICE |
|--------|----------------|-----------------------|------|-------|
| 2101 | STRAIGHT CAM | MARKS | 1 | 10.00 |
| 2101-A | | ARROW/SARGENT | A1 | 10.00 |
| 2101-C | | CORBIN RUSSWIN | C1 | 10.00 |
| 2101-S | | SCHLAGE | S1 | 10.00 |
| 2102 | CLOVERLEAF CAM | MARKS | 2 | 10.00 |
| 2102-A | | ARROW/SARGENT | A2 | 10.00 |
| 2102-C | | CORBIN RUSSWIN | C2 | 10.00 |
| 2102-S | | SCHLAGE | S2 | 10.00 |

| PART # | DESCRIPTION | USE WITH MORTISE LOCK | CODE | PRICE |
|---------|--------------------------|-----------------------|------|-------|
| 2104 | ADAMS-RITE CAM | MARKS | 4 | 10.00 |
| 2105 | "J" FUNCTION CAM | MARKS | 5 | 10.00 |
| 2105-A | | ARROW/SARGENT | A5 | 10.00 |
| 2105-C | | CORBIN RUSSWIN | C5 | 10.00 |
| 2105-S | | SCHLAGE | S5 | 10.00 |
| 2107-CL | "J-CL" FUNCTION CAM | MARKS | 7 | 10.00 |
| 2106 | "G" CAM Exterior only | MARKS | 6 | 10.00 |
| 2106-A | | ARROW/SARGENT | A6 | 10.00 |
| 2106-C | | CORBIN RUSSWIN | C6 | 10.00 |
| 2106-S | | SCHLAGE | S6 | 10.00 |

How To Order Example for Mortise Lock Cylinders

| | | | | |
|-----------------------|--------------|---------------------|-------------|----------------------|
| 2182 | / | 32D | — | 1C |
| 1. <i>Cylinder</i> | <i>Slash</i> | 2. <i>Finish</i> | <i>Dash</i> | 3. <i>Options</i> |

See List Of
Cylinders
Available

FINISH
(Pg. 8)

- | | | |
|-----------------------------|------------------------------|------------------------------|
| <input type="checkbox"/> 3 | <input type="checkbox"/> 10 | <input type="checkbox"/> 26 |
| <input type="checkbox"/> 3E | <input type="checkbox"/> 10B | <input type="checkbox"/> 26D |
| <input type="checkbox"/> 5 | <input type="checkbox"/> 15 | <input type="checkbox"/> 32D |

Special

Specify

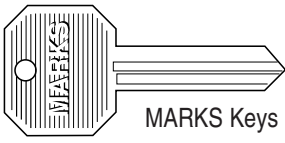
- Keying
- Door Thickness

Cam and keying information
must be included in the option section.

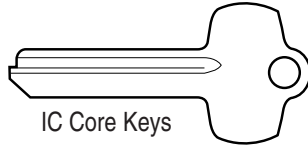
KEYS & KEYING

Keys

Can Stamp A Maximum Of 6 Characters On Key.



MARKS Keys



IC Core Keys

| STANDARD KEYWAYS | PIN LENGTH ACCEPTS | SHOULDER INCREMENTS | PIN TO PIN TO 1st PIN | PLUG DISTANCE | DIAMETER |
|------------------|-----------------------|---------------------|-----------------------|---------------|----------|
| MARKS "A" | Arrow Kwikset Segal 9 | .015" | .264" | .156" | .504" |
| MARKS "C" | Schlage "C" | .015" | .231" | .156" | .504" |

Construction Master Keying:

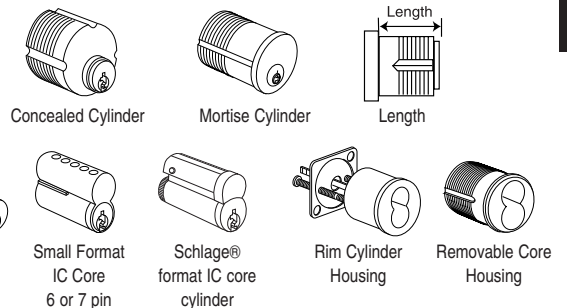
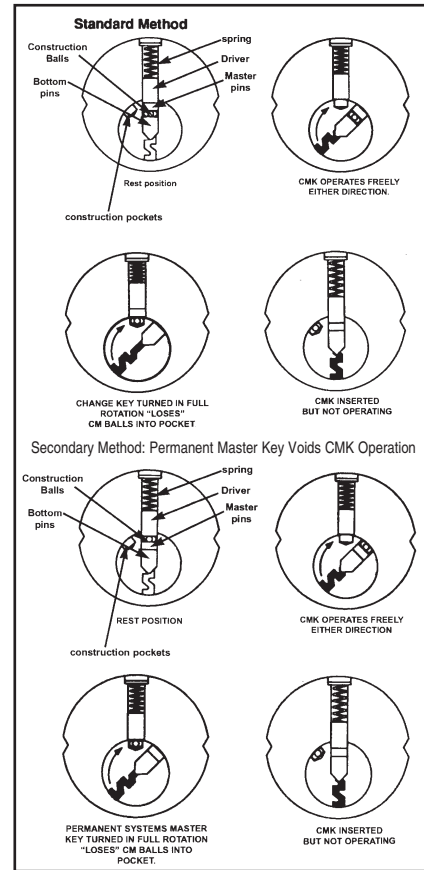
The construction master key (CMK) is to be used temporarily while the building is under construction. When construction is completed, the end user defeats the CMK's operation by turning the change key in each cylinder, rather than replace or re-keying the cylinder.

Marks USA uses a program which is called the "lost ball" program. When construction key system is set up, three small ball bearings (construction balls) are placed between the bottom pin and master pin, normally in the last chamber as a "temporary master pin". The construction key is usually the same cut as the top master key with the exception of the sixth cut which is two increments higher. The construction master key will work in any cylinder until cylinder is "defeated" by making one full rotation in the cylinder with the change key. The cylinder plug requires a small diameter "pocket" drilled on one side of one pin chamber so when rotating the cylinder with the change key the pocket will capture the construction balls. The construction pocket in the plug is smaller than a pin chamber. This prevents any top pins or master pins from entering as the plug rotates. Once the cylinder is defeated, there is no way for the cylinder to be construction keyed again without disassembling it.

| PART # | DESCRIPTION | PRICE | |
|--------|--------------------------------------|-------|-----|
| | | EACH | CUT |
| 2164A | MARKS "A" 5 PIN BRASS | 8 | 10 |
| 2164C | MARKS "C" 5 PIN BRASS, NICKEL PLATED | 8 | 10 |
| 2184A | MARKS "A" 6 PIN NICKEL SILVER | 9 | 11 |
| 2184C | MARKS "C" 6 PIN NICKEL SILVER | 9 | 11 |
| R1164 | IC CORE 6 OR 7 PIN (SMALL FORMAT) | 9 | 11 |
| R3164 | SCHLAGE® IC CORE CONTROL KEY | 9 | 11 |

BEST® A thru M keyway. Please specify.
IC Core pricing includes KA, KD or MK Keying.

| PART # | DESCRIPTION | PRICE | |
|----------------------------------|---|----------------|---------|
| | | REGULAR | IC CORE |
| KA | KEYED ALIKE | NC | NC |
| KD | KEYED DIFFERENT | NC | NC |
| MK | MASTER KEYED | 24 | 24 |
| CMK | CONSTRUCTION MASTER KEYED (Includes GMK or MK) | 36 | — |
| GMK | GRAND MASTER KEYED | 24 | 28 |
| GGMK | GREAT GRAND MASTER KEYED | 24 | 28 |
| GGGMK | GREAT GREAT GRAND MASTER KEYED | 24 | — |
| STAMPING | | PRICE | |
| LETTERS/NUMBERS ON KEY | | 9 PER KEY | |
| US PROPERTY - "DO NOT DUPLICATE" | | 9 PER KEY | |
| VISUAL KEY CONTROL (VKC) | | 10 | |
| CONCEAL KEY CONTROL | | 20 | |
| EXTRA CUT KEYS WITH LOCKSET | | SEE KEYS ABOVE | |
| KEY BITTING CODE LIST | | N/C | |




IC CORE PRICING INCLUDES KA, KD OR MK KEYING

★ **Standard & HI-SECURITY™ IC Core Models:** Interchangeable Core models for 6 or 7 pin cores (not included).
Accepts: Marks, Marks HI-SECURITY™, Medeco®, KeyMark™, Falcon, Schlage® small format & Best®. **IC Core Tailpieces ARE Included.**


HI-SECURITY™ CYLINDERS: NON-UL




HI-SECURITY™ MORTISE CYLINDERS

| | | | | | |
|---|--|-------------------------|---------------|----------------------------|--------|
|  | NON-UL "0" Bitted x 2 Keys; "0" Bitted "NO KEYS" - Deduct \$7 | | FINISH GROUPS | | |
| | PART # | DESCRIPTION | 3, 26D | 4, 5, 10, 10B, 15, 26, 32D | 3E |
| | BXXX-D001A0N2 | 1-1/8" Mortise Cylinder | 146.22 | 158.61 | 186.36 |
| | CXXX-D001A0N2 | 1-1/4" Mortise Cylinder | 158.61 | 172.49 | 198.26 |
| | DXXX-D001A0N2 | 1-3/8" Mortise Cylinder | 184.39 | 194.30 | 222.05 |
| | NON-UL KD x 2 Keys | | | | |
| | BXXX-D001A1N2 | 1-1/8" Mortise Cylinder | 160.60 | 176.45 | 206.20 |
| | CXXX-D001A1N2 | 1-1/4" Mortise Cylinder | 176.45 | 184.39 | 214.13 |
| | DXXX-D001A1N2 | 1-3/8" Mortise Cylinder | 200.25 | 210.16 | 239.90 |
| | HI-SECURITY™ CYLINDERS ARE PACKED 24 PER CASE | | | | |


HI-SECURITY™ MORTISE/RIM COMBO CYLINDERS

| | | | | | |
|---|--|-----------------------|---------------|----------------------------|--------|
|  | NON-UL "0" Bitted x 2 Keys; "0" Bitted "NO KEYS" - Deduct \$7 | | FINISH GROUPS | | |
| | PART # | DESCRIPTION | 3, 26D | 4, 5, 10, 10B, 15, 26, 32D | 3E |
| | EXXX-D001A0N2 | 1" Combo Cylinder | 132.84 | 142.75 | 174.47 |
| | FXXX-D001A0N2 | 1-1/8" Combo Cylinder | 158.61 | 172.48 | 198.26 |
| | NON-UL KD x 2 Keys | | | | |
| | EXXX-D001A1N2 | 1" Combo Cylinder | 148.70 | 158.61 | 186.36 |
| FXXX-D001A1N2 | 1-1/8" Combo Cylinder | 176.45 | 184.39 | 214.13 | |
| HI-SECURITY™ CYLINDERS ARE PACKED 24 PER CASE | | | | | |


HI-SECURITY™ KIK CYLINDERS

| | | | | |
|---|---|----------------------|---------------|--|
|  | NON-UL "0" Bitted x 2 Keys; "0" Bitted "NO KEYS" - Deduct \$6 | | FINISH GROUPS | |
| | PART # | DESCRIPTION | 26D | |
| | G26D-D001X0N2 | Key-In-Knob Cylinder | 120.94 | |
| | NON-UL KD x 2 Keys | | | |
| G26D-D001X1N2 | Key-In-Knob Cylinder | 132.84 | | |
| HI-SECURITY™ CYLINDERS ARE PACKED 24 PER CASE | | | | |


HI-SECURITY™ MARKS IC CORE CYLINDERS

| | | | | | |
|---|---|------------------------|---------------|--|--|
|  | NON-UL "0" Bitted x 2 Keys x 1 Control Key; "0" Bitted "NO KEYS" - Deduct \$6 | | FINISH GROUPS | | |
| | PART # | DESCRIPTION | 26D | | |
| | H26D-D001X0N2 | 6 Pin IC Core Cylinder | 132.84 | | |
| | J26D-D001X0N2 | 7 Pin IC Core Cylinder | 138.79 | | |
| | NON-UL KD x 2 Keys x 1 Control Key | | | | |
| | H26D-D001X1N2 | 6 Pin IC Core Cylinder | 154.64 | | |
| J26D-D001X1N2 | 7 Pin IC Core Cylinder | 160.60 | | | |
| HI-SECURITY™ CYLINDERS ARE PACKED 24 PER CASE | | | | | |

HI-SECURITY™ Schlage® LARGE FORMAT IC CORE CYLINDERS

| | | | | |
|---|---|---------------------------------|---------------|--|
|  | NON-UL "0" Bitted x 2 Keys x 1 Control Key; "0" Bitted "NO KEYS" - Deduct \$6 | | FINISH GROUPS | |
| | PART # | DESCRIPTION | 26D | |
| | K26D-D001X0N2 | 6 Pin Schlage® IC Core Cylinder | 168.53 | |
| | NON-UL KD x 2 Keys x 1 Control Key | | | |
| K26D-D001X1N2 | 6 Pin Schlage® IC Core Cylinder | 188.35 | | |
| HI-SECURITY™ CYLINDERS ARE PACKED 24 PER CASE | | | | |

HI-SECURITY™ Medeco® LARGE FORMAT IC CORE CYLINDERS


| | | | | |
|---|---|--------------------------------|---------------|--|
|  | NON-UL "0" Bitted x 2 Keys x 1 Control Key; "0" Bitted "NO KEYS" - Deduct \$6 | | FINISH GROUPS | |
| | PART # | DESCRIPTION | 26D | |
| | P26D-D001X0N2 | 6 Pin Medeco® IC Core Cylinder | 206.20 | |
| | NON-UL KD x 2 Keys x 1 Control Key | | | |
| P26D-D001X1N2 | 6 Pin Medeco® IC Core Cylinder | 228.01 | | |
| HI-SECURITY™ CYLINDERS ARE PACKED 24 PER CASE | | | | |


HI-SECURITY™
Cylinders


HI-SECURITY™ CYLINDERS





Security-Mate™ & SPECIAL APPLICATION CYLINDERS


| Security-Mate™ MORTISE CYLINDERS | | | | |
|---|----------------------|-------------------------|---------------|----------------------------|
|  | "0" Bitted "NO KEYS" | | FINISH GROUPS | |
| | PART # | DESCRIPTION | 3, 26D | 4, 5, 10, 10B, 15, 26, 32D |
| | BXXX-DXXXXA0N0 | 1-1/8" Mortise Cylinder | 115.00 | 158.61 |
| | CXXX-DXXXXA0N0 | 1-1/4" Mortise Cylinder | 124.91 | 172.49 |
| | DXXX-DXXXXA0N0 | 1-3/8" Mortise Cylinder | 146.72 | 194.30 |
| | LXXX-DXXXXA0N0 | 1-1/2" Mortise Cylinder | 172.49 | 216.11 |
| | MXXX-DXXXXA0N0 | 1-3/4" Mortise Cylinder | 194.30 | 245.85 |
| Security-Mate™ CYLINDERS ARE PACKED 24 PER CASE | | | | |


| Security-Mate™ MORTISE/RIM COMBO CYLINDERS | | | | |
|---|--|-----------------------|---------------|----------------------------|
|  | "0" Bitted "NO KEYS" | | FINISH GROUPS | |
| | PART # | DESCRIPTION | 3, 26D | 4, 5, 10, 10B, 15, 26, 32D |
| | EXXX-DXXXXA0N0 | 1" Combo Cylinder | 95.91 | 109.04 |
| | FXXX-DXXXXA0N0 | 1-1/8" Combo Cylinder | 124.91 | 132.84 |
| | Security-Mate™ CYLINDERS ARE PACKED 24 PER CASE | | | |

| Security-Mate™ KIK CYLINDERS | | | |
|---|----------------------|----------------------|---------------|
|  | "0" Bitted "NO KEYS" | | FINISH GROUPS |
| | PART # | DESCRIPTION | 26D |
| | G26D-DXXXXX0N0 | Key-In-Knob Cylinder | 89.22 |
| Security-Mate™ CYLINDERS ARE PACKED 24 PER CASE | | | |

| Security-Mate™ MARKS IC CORE CYLINDERS | | | |
|---|----------------------|------------------------|---------------|
|  | "0" Bitted "NO KEYS" | | FINISH GROUPS |
| | PART # | DESCRIPTION | 26D |
| | H26D-DXXXXX0N0 | 6 Pin IC Core Cylinder | 99.13 |
| | J26D-DXXXXX0N0 | 7 Pin IC Core Cylinder | 109.04 |
| Security-Mate™ CYLINDERS ARE PACKED 24 PER CASE | | | |

| Security-Mate® Schlage™ LARGE FORMAT IC CORE CYLINDERS | | | |
|---|----------------------|---------------------------------|---------------|
|  | "0" Bitted "NO KEYS" | | FINISH GROUPS |
| | PART # | DESCRIPTION | 26D |
| | K26D-DXXXXX0N0 | 6 Pin Schlage® IC Core Cylinder | 136.80 |
| Security-Mate™ CYLINDERS ARE PACKED 24 PER CASE | | | |

| Security-Mate® Medeco™ LARGE FORMAT IC CORE CYLINDERS | | | |
|---|----------------------|--------------------------------|---------------|
|  | "0" Bitted "NO KEYS" | | FINISH GROUPS |
| | PART # | DESCRIPTION | 26D |
| | P26D-DXXXXX0N0 | 6 Pin Medeco® IC Core Cylinder | 176.45 |
| Security-Mate™ CYLINDERS ARE PACKED 24 PER CASE | | | |

| HI-SECURITY™ SPECIAL APPLICATION CYLINDERS | | | | | |
|---|---|--------------------------|--------|---------------|--|
|  | KA Pair w/ 2 Keys, NON-UL, Straight Cam | | | FINISH GROUPS | |
| | PART # | DESCRIPTION | 3, 26D | 5, 15 | |
| | 2122XXXHSM | 15/16" Mortise Cylinders | 206.23 | 228.00 | |
| HI-SECURITY™ SPECIAL APPLICATION CYLINDERS ARE PACKED 24 PER CASE | | | | | |

HI-SECURITY™
Cylinders

HI-SECURITY™ CYLINDERS

HOW TO ORDER HI-SECURITY™ CYLINDERS AND KEYS

| How To Order Example for HI-SECURITY™ Cylinders | | | | | | | | |
|--|----------------------|-------------|----------------------|-----------------------------|------------------------|----------------------|------------------------------|-------------------------|
| D | 3 | — | D | 001 | A | 3 | U | 2 |
| <i>1. Cylinder Type</i> | <i>2. Finish</i> | <i>Dash</i> | <i>3. Keyway</i> | <i>4. Security Code</i> | <i>5. Cam Tail</i> | <i>6. Keying</i> | <i>7. NON-UL / UL437</i> | <i>8. # of Keys</i> |

| CYLINDER TYPE | FINISH | KEYWAY | SECURITY CODE | CAM TAIL <i>MORTISE</i> | KEYING | UL or NON-UL | KEYING |
|---|--|---------------------------------|--------------------------------------|---|---|--|--|
| <input type="checkbox"/> B = 1-1/8" Mortise <input type="checkbox"/> C = 1-1/4" Mortise <input type="checkbox"/> D = 1-3/8" Mortise <input type="checkbox"/> L = 1-1/2" Mortise <input type="checkbox"/> M = 1-3/4" Mortise <input type="checkbox"/> E = 1" Combo <input type="checkbox"/> F = 1-1/8" Combo <input type="checkbox"/> G = KIK Cylinder <input type="checkbox"/> H = IC Core Marks 6 Pin <input type="checkbox"/> J = IC Core Marks 7 Pin <input type="checkbox"/> K = IC Core Schlage® Large Format <input type="checkbox"/> P = IC Core Medeco® Large Format | <input type="checkbox"/> 3 <input type="checkbox"/> 4 <input type="checkbox"/> 5 <input type="checkbox"/> 10 <input type="checkbox"/> 10B <input type="checkbox"/> 15 <input type="checkbox"/> 26 <input type="checkbox"/> 26D <input type="checkbox"/> 32 <input type="checkbox"/> 32D | <input type="checkbox"/> D = HS | <input type="checkbox"/> 001 = MARKS | <input type="checkbox"/> A = 2101 <input type="checkbox"/> B = 2102 <input type="checkbox"/> D = 2104 <input type="checkbox"/> E = 2105 <input type="checkbox"/> F = 2106 KIK <input type="checkbox"/> A = Standard Tail <input type="checkbox"/> B = Classroom Tail <input type="checkbox"/> C = i-Que Electronic IC CORE <input type="checkbox"/> A = 6 Pin IC <input type="checkbox"/> B = 7 Pin IC | <input type="checkbox"/> 0 = "0" Bitted <input type="checkbox"/> 1 = KD <input type="checkbox"/> 2 = KA <input type="checkbox"/> 3 = CMK <input type="checkbox"/> 4 = GMK <input type="checkbox"/> 5 = MK <input type="checkbox"/> 6 = GGMK | <input type="checkbox"/> U = UL 437 <input type="checkbox"/> N = NON UL | <input type="checkbox"/> 0 = "0" Bitted <input type="checkbox"/> 1 = 1 Key <input type="checkbox"/> 2 = 2 Keys <input type="checkbox"/> 3 = 3 Keys Up to 9, Then as separate line item |

HI-SECURITY™
Cylinders


| How To Order Example for HI-SECURITY™ Keys | | | | |
|---|--------------------|----------------------|-----------------------------|--------------------------------|
| HS | 6 | D | 001 | C |
| <i>1. Key Type</i> | <i>2. Pins</i> | <i>3. Keyway</i> | <i>4. Security Code</i> | <i>5. Special Key Type</i> |

| KEY TYPE | PINS | KEYWAY | SECURITY CODE | SPECIAL KEY TYPE |
|---|--|---------------------------------|--------------------------------------|--|
| <input type="checkbox"/> HS = HI-SECURITY™ <input type="checkbox"/> RS = IC Core | <input type="checkbox"/> 5 Pin <input type="checkbox"/> 6 Pin <input type="checkbox"/> 7 Pin | <input type="checkbox"/> D = HS | <input type="checkbox"/> 001 = Marks | <input type="checkbox"/> C = Control Key |







HI-SECURITY™ CYLINDERS





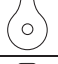



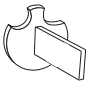
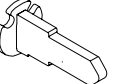
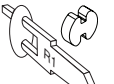
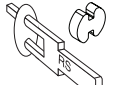
KEYS, CAMS & TAILPIECES

| KEYS | | | |
|---|-------------------------------------|--------------------|-------|
|  | PART # | DESCRIPTION | PRICE |
| | HS5D001 | 5 Pin Key Blank | 18 |
| | HS6D001 | 6 Pin Key Blank | 18 |
| | RS6D001 | 6 Pin IC Key Blank | 18 |
| | RS7D001 | 7 Pin IC Key Blank | 18 |
| | Schlage® IC CORE CONTROL KEY | | |
| HSR3184 | 6 or 7 Pin IC Key Blank | 18 | |
| CUT KEYS | | | |
| Conventional Cylinder | | | 25 |
| IC Core Cylinder | | | 25 |

| KEYING CHARGES | | | |
|----------------|------------------------------|-----------|---------|
| PART # | DESCRIPTION | REG PRICE | IC CORE |
| KA, KD | Keyed Alike, Keyed Different | NC | NC |
| MK | Master Keyed | 24 | 24 |
| GMK | Grand Master Keyed | 24 | 28 |
| GGMK | Great Grand Master Keyed | 24 | 28 |
| VKC | Visual Key Control | 20 | 20 |

| MORTISE CYLINDER CAMS | | | |
|---|----------------|-------|--|
| PART # | DESCRIPTION | PRICE | |
|  2101HS | Straight Cam | 13.00 | |
|  2102HS | Clover Cam | 13.00 | |
|  2104HS | Adams Rite Cam | 13.00 | |
|  2105HS | J - Cam | 13.00 | |
|  2106HS | G - Cam | 13.00 | |
|  2107-CLHS | Straight Cam | 13.00 | |

| Schlage® LARGE FORMAT IC CORE HOUSING CAMS | | | |
|--|----------------|-------|--|
| PART # | DESCRIPTION | PRICE | |
|  2101 HSPM | Straight Cam | 13.00 | |
|  2102 HSPM | Clover Cam | 13.00 | |
|  2104 HSPM | Adams Rite Cam | 13.00 | |
|  2105 HSPM | J - Cam | 13.00 | |
|  2106 HSPM | G - Cam | 13.00 | |
|  2107-CL HSPM | Straight Cam | 13.00 | |

| CYLINDRICAL TAIL PIECES | | | |
|--|-----------------------------------|-------|--|
| PART # | FUNCTIONS | PRICE | |
|  F1903-C | AB, DW, F | 11.00 | |
|  F1903S-C | S, DA, DB, DC, SB, T | 11.00 | |
| IC CORE TAILPIECES | | | |
|  HR1984-HS | AB, B, DA (ext.), DW, F, FEU, FEL | 11.00 | |
|  HR1984S-HS | S, DA (int.), DB, DC, SB, T | 11.00 | |

HI-SECURITY™
Cylinders

HI-SECURITY™ CYLINDERS



PARTS LIST

| PARTS LIST | | | |
|----------------|---|--------|-------------|
| PART # | DESCRIPTION | PRICE | PACKED |
| P2031 | Finger Pins #1 (Silver) | 52.00 | 25 per pack |
| P2032 | Finger Pins #2 (Copper) | 52.00 | 25 per pack |
| P2033 | Finger Pins #3 (Black) | 52.00 | 25 per pack |
| P2034 | Finger Pins #4 (Gold) | 52.00 | 25 per pack |
| P2035 | Sidebar - Schlage® IC | 52.00 | 25 per pack |
| P2036 | Sidebar - Combo, KIK, Mortise | 52.00 | 25 per pack |
| P2051 | Sidebar - Best® IC | 52.00 | 25 per pack |
| P2037 | Sidebar Springs | 52.00 | 50 per pack |
| P2044 | Mortise Cam Screws | 30.00 | 12 per pack |
| P2045 | IC Mortise Cam Screws - SCHLAGE® ONLY | 30.00 | 12 per pack |
| P2038 | Hardened Steel Pins | 30.00 | 12 per pack |
| P2041 | Schlage® IC Cap Pin | 52.00 | 12 per pack |
| P2042 | Schlage® IC Cap Pin Spring | 52.00 | 12 per pack |
| P2046 | Schlage® IC Screw Cap | 52.00 | 6 per pack |
| P2048 | KIK Screw Cap | 52.00 | 6 per pack |
| P2043 | Best® IC Clip | 52.00 | 12 per pack |
| P2039 | Top Hex Screws (HI-SECURITY™ Mortise) | 30.00 | 12 per pack |
| P2029 | Top Hex Screws (HI-SECURITY™ Best® IC) | 30.00 | 12 per pack |
| P2047 | HI-SECURITY™ Registration Card | 79.31 | 10 cards |
| R2984 | 7 Pin IC Tailpiece (AB, DW, F) | 12.00 | — |
| R2984S | 7 Pin IC Tailpiece (S, DA, DB, DC, SB, T, TS) | 12.00 | — |
| R1981 | Spacer | 12.00 | — |
| 2049 | Plug Holder | 79.31 | — |
| BXXX-D133B1N1C | Cut Away Mortise Cylinder | 220.00 | — |
| BXXX-D133B1N1P | Plastic Mortise Cylinder | 220.00 | — |
| HSICT | Shear Tool | 451.00 | — |
| HSC387 | HPC Card C387 | 100.00 | — |

HI-SECURITY™
Cylinders

SERIES M9900 EXIT DEVICE

RIM MOUNT



- EXTRUSION HEAVY GAGE 32D FINISH
- LIFETIME MECHANICAL WARRANTY
- PANIC PROTECTOR™ END CAP
- EASY INSTALLATION, ECONOMICAL



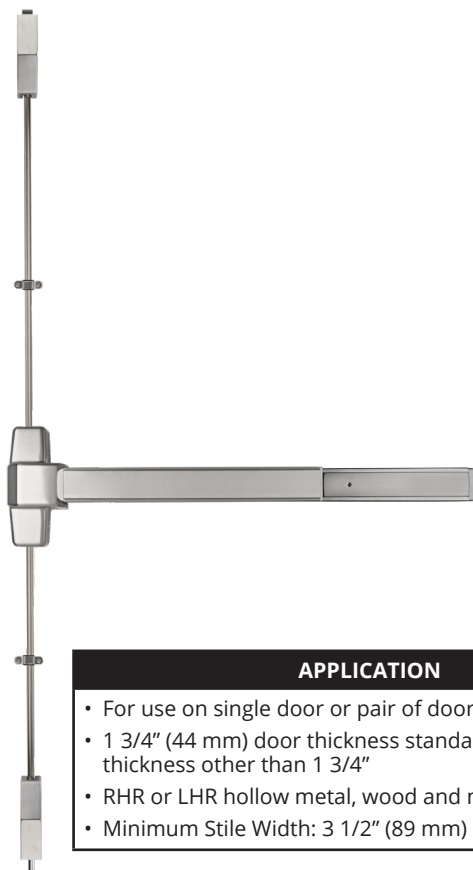
| MARKS # | FUNCTION | PRICE | |
|-------------|----------------------------|---------|----------|
| | | 32D | 10B (19) |
| M9900 | Rim Panic | 815.72 | 948.78 |
| M9900F | Fire Rated Rim Panic | 919.57 | 1053.64 |
| M9900 - 48 | Rim Panic - 48" | 898.80 | 1032.86 |
| M9900F - 48 | Fire Rated Rim Panic - 48" | 1006.43 | 1140.49 |

| OPTIONS | |
|-----------|-------------------------|
| M9900 | 33" Length for 38" Door |
| M9900-48" | 42" Length for 48" Door |

| SPECIFICATIONS |
|--|
| • Doors: 1 3/4" thick standard |
| • End Cover: Stainless steel beveled "Panic Protector" design |
| • Strike: Roller strike |
| • Rail Assembly: Heavy Gauge Stainless Steel |
| • Dead latch Bolt: Stainless Steel 3/4" throw. |
| • Dead latch Bolt: Stainless Steel 5/8". |
| • Dogging feature: Allen Key (M9900) |
| • UL listed: For "Panic Hardware" and Fire Rated Model 3 hour fire doors up to 38" x 86". |
| • ANSI: ANSI 156.3 (2001), requirements for Grade 1 |
| • 3 Hour Fire Rating |
| • Finished: Stainless steel satin finish |

SERIES M9900 VR EXIT DEVICE

SURFACE VERTICAL ROD




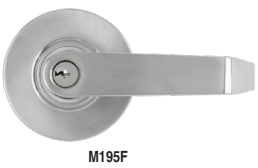




| APPLICATION |
|---|
| • For use on single door or pair of doors |
| • 1 3/4" (44 mm) door thickness standard. Specify thickness other than 1 3/4" |
| • RHR or LHR hollow metal, wood and mineral core doors |
| • Minimum Stile Width: 3 1/2" (89 mm) |

| MARKS # | FUNCTION | PRICE | |
|----------------|---|---------|----------|
| | | 32D | 10B (19) |
| M9900 VR | Rim Panic Vertical Rod | 1083.85 | 1206.58 |
| M9900F VR | Fire Rated Rim Panic Vertical Rod | 1191.48 | 1325.54 |
| M9900 - 48 VR | Rim Panic Vertical Rod - 48" | 1336.72 | 1270.78 |
| M9900F - 48 VR | Fire Rated Rim Panic Vertical Rod - 48" | 1244.35 | 1370.86 |

| SPECIFICATIONS |
|--|
| • Device Head Cover: Zinc alloy or stainless steel |
| • Chassis: Steel, plated |
| • Mechanism Housing: Extruded aluminum |
| • Push Bar Base: Extruded aluminum |
| • Touch Plate: Stainless Steel |
| • End Cap: Stainless Steel |
| • Top Latch: Stainless Steel 37/64" (14.8mm) |
| • Top Strike: Included |
| • Bottom Latch: Stainless Steel 37/64" (14.8mm) |
| • Bottom Strike: Included |
| • Latch Case Covers: Steel, stainless steel or brass |
| • Vertical Rods: Aluminum tube |
| • Hand: Non-handed |
| • Mounting: Machine screws standard. Sex bolts optional. Order "SNB" for wood or unreinforced metal doors |
| • Dogging: Allen-type key furnished |
| • Finish: 32D |
| • Outside Trim: Order separately |
| • Standard Height: 7' doors |
| • UL listed: ANSI/BHMA Grade 1 Panic Exit Hardware |
| • 3-Hour Fire Rated |

Exit Devices

SERIES M9900 EXTERIOR TRIM

| | | |
|---|---|---|
| M411 | Lever/Rose | Rim Panic Vandal Pull |
|  |  |  |
| MES600A | Cylindrical Dogging Kit - 32D | Rim Panic Vandal Pull w/ cylinder hole |
|  |  |  |

ENTRY LEVER TRIM





- Standard Marks "C" Keyway KNK cylinder for panic device.
- Cylinder locks or unlocks lever, rigid when locked; when unlocked retracts latch bolt.
- Marks 26D Finish / Standard 1-3/4" Door Thickness
- IC Prep Code G1, Less Cylinder G3

ESCUTCHEON LEVER DESIGN

- Thru bolt design
- Non Handed design. Easily field reversible.
- Marks 32D Finish / Standard 1-3/4" Door Thickness
- Standard Marks "C" Keyway 1-1/4 Mortise cylinder with special cam
- IC Prep Code G1
- Less Cylinder G3

| MARKS # | DESCRIPTION | PRICE | |
|-----------|--|--------|----------|
| | | 26D | 10B (19) |
| M411 | Finger Pill - no cylinder | 45.60 | 51.54 |
| MESC600A | Lever / Escutcheon Trim Entry | 261.71 | 346.96 |
| MESC600F | Lever / Escutcheon Trim Storeroom | 261.71 | 346.96 |
| MESC600N | Lever / Escutcheon Trim Passage | 226.02 | 315.24 |
| MESC600DT | Lever / Escutcheon Trim Dummy Trim | 226.02 | 346.74 |
| MESC350A | Lever / Escutcheon Trim Entry | 261.71 | — |
| MESC350F | Lever / Escutcheon Trim Storeroom | 261.71 | — |
| M9901 | 36 inch Panic Device Dogging Kit | 162.58 | 194.30 |
| MVR8 | Vertical Rod 8 ft - Code 8 | 81.29 | — |
| MVR10 | Vertical Rod 10 ft - Code 10 | 130.87 | — |
| MVRB | Vertical Rod - Bottom Rod | 55.51 | — |
| MVP/32D | Rim Panic Vandal Pull | 390.58 | — |
| MVPCC/32D | Rim Panic Vandal Pull w/ cylinder hole | 434.20 | — |

MORTISE CYLINDER CAMS

- M9907**  **MESC600A - MESC350A**
- M9908**  **MESC600F - MESC350F**
- M9909**  **MESC600F IC CORE HOUSING**
CAM IS NOT AVAILABLE FOR PURCHASE
- M9910**  **MESC600A IC CORE HOUSING**
CAM IS NOT AVAILABLE FOR PURCHASE

SERIES M8800 EXIT DEVICE

THIN LINE TM RIM MOUNT



| MARKS # | FUNCTION | PRICE | |
|---------|-----------|--------|---------|
| | | 32D | 10B |
| M8800 | Rim Panic | 879.94 | 1105.00 |

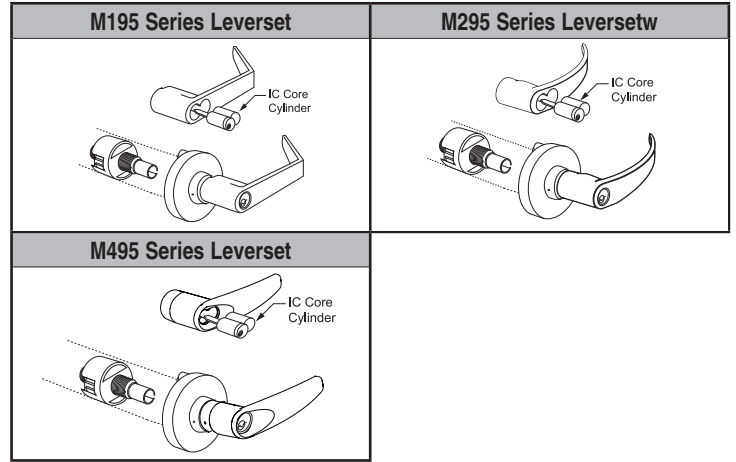
| Specifications | |
|-----------------------|--|
| Specification: | Conforms to ANSI BHMA A156.3 Grade 1 Exit Device Requirement Standard ANSI/UL305 Standard for Safety for Panic Hardware 2013 California Building Code Sec. 11B-309.4 |
| For Doors: | (Please specify when ordering non standard size doors) Thickness: Standard 1 3/4", may fit with door thickness up to 2" Width: Standard 36", may fit door width 30" |
| Mounting: | Furnished Standard with Wood and Machine Screws |
| Head Cover: | Zinc Alloy |
| Chassis: | Aluminum |
| Rail Assembly: | Heavy Gauge extruded aluminum with stainless steel on top of touch bar |
| End Cap: | Zinc Alloy |
| Hand: | Non-handed |
| Latch Bolt: | Stainless Steel, 3/4" (18mm) throw |
| Strike: | Roller Strike (Stainless Steel) |
| Dogging: | Allen Key (equipped on panic rate devices only) |
| Finish: | 32D: Satin Stainless Steel Finish 10B: Oil Rubbed Bronze Finish |
| Dimension: | Touch bar height from finished floor: 41" (1041mm) from center of touch bar Touch Bar Projection: Neutral: 3 5/16" (84mm) Depressed: 2 19/32" (66mm) Head Cover: LxWxH: 206mm x 76mm x 71mm Device Length: 34 5/8" (88cm) for 36" door width |

Exit Devices

SERIES M195 EXIT DEVICE TRIM

Specifications

Levers: Solid cast Zamac, with 1/2" return (except 495)
Roses: Thru-bolted, 3-7/16" spring loaded Roses
Door Thickness: 1-5/8" – 1-7/8"
Clutch: Standard
Chassis: Steel
Cylinder: MARKS "C" keyway, 6 pin w/ 2 keys
 IC Core model - Core not included
Lifetime Mechanical Warranty



| MARKS # | Trim | 26D | 19 |
|----------------|------------------------|--------|--------|
| M195S/295/495 | Entry | 325.15 | 410.40 |
| M195RS/295/495 | Entry with IC Core | 325.15 | 410.40 |
| M195F/295/495 | Storeroom | 325.15 | 410.40 |
| M195RF/295/495 | Storeroom with IC Core | 325.15 | 410.40 |
| M195N/295/495 | Passage | 301.36 | 366.79 |
| M195DT/295/495 | Dummy | 301.36 | 366.79 |

| OPTIONS | CODE | PRICE - 195 | 295 |
|-------------------------------|------|-------------|-----|
| Yale Conventional | F7 | 25 | — |
| Sargent conventional cylinder | F8 | 25 | 25 |
| Corbin conventional cylinder | F9 | 25 | 25 |
| Corbin 6 pin IC core | F12 | 37 | 37 |
| Corbin 7 pin IC core | F13 | 37 | — |
| Yale 6 pin IC core | F14 | 25 | 25 |
| Yale 7 pin IC core | F15 | 25 | — |
| Schlage 6 pin IC core | F19 | 25 | 25 |
| Sargent IC core | F20 | 25 | 25 |
| Medeco IC core large format | F21 | 25 | 25 |
| Less Cylinder | G3 | Deduct 17 | — |

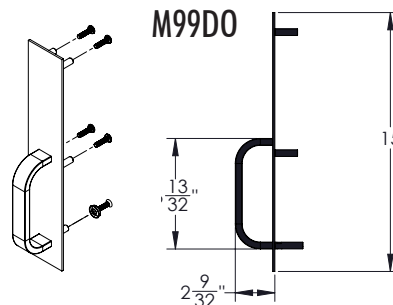
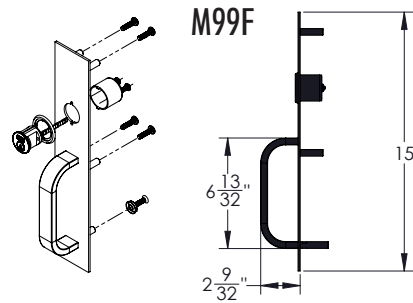
★ **Standard & HI-SECURITY™ IC Core Models:** Interchangeable Core models for 6 or 7 pin cores (not included). **Accepts:** Marks, Marks HI-SECURITY™, Medeco®, KeyMark™, Falcon, Schlage® small format & Best®. **IC Core Tailpieces ARE Included.**

SERIES M99 NIGHT LATCH TRIM

Specifications

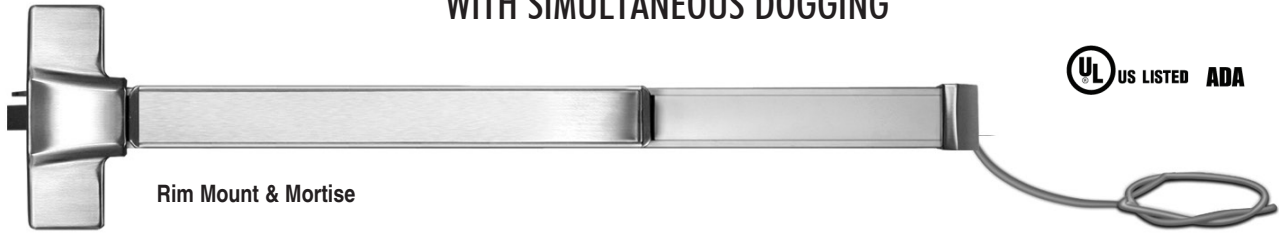
- Fixed pull for Marks USA rim panic devices.
- US32D stainless steel material
- US 32D finish
- Supplied with cylinder collar and mounting cylinder cup. *Available in Marks USA "C" conventional rim cylinder and Marks USA "Best size" IC rim cylinder (less core)
- Available in Dummy trim, less cylinder hole

| MARKS # | Night Latch Trim | 32D |
|-------------|------------------------------------|--------|
| M99F/32D | With Marks C Rim Cylinder | 386.62 |
| M99F/32D-G1 | With Marks IC Core Rim Cylinder | 386.62 |
| M99F/32D-G3 | With Cylinder hole – Less Cylinder | 356.87 |
| M99DO/32D | Dummy Trim | 337.05 |



ELECTRIC LATCH RETRACTION

WITH SIMULTANEOUS DOGGING



Rim Mount & Mortise

UL US LISTED ADA

| DEVICE SPECIFICATIONS | |
|-----------------------------|--|
| ER | Electric Latch Retraction with simultaneous dogging |
| For: | M9900 |
| Operation: | Momentary or maintained latch bolt and push pad retraction. Automatic re-triggering of latch retraction |
| Voltage: | 24VDC @ 450 mA activation, 180 mA continuous |
| EMC | 2-station sequencer required for automatic doors only. |
| Monitoring Available | Latch status and REX output available |

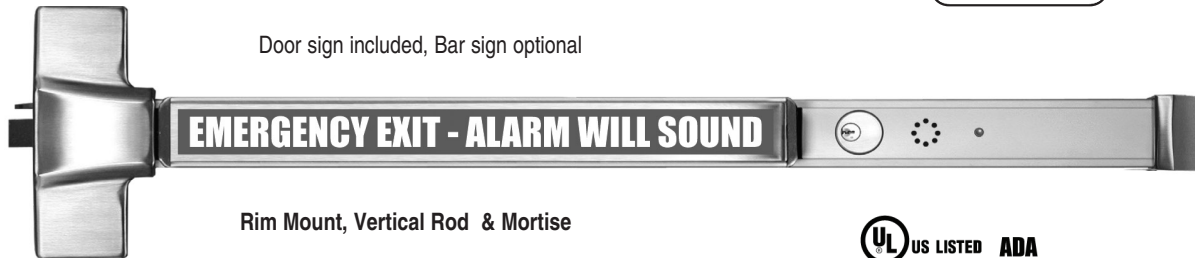
| MARKS # | | DESCRIPTION | |
|-------------------|---------------------------------------|-------------|------------|
| HEAVY DUTY | | 32D | 10B |
| M9900ER | Electric Latch Retraction | 2309.25 | 2409.25 |
| M9900ER-48 | Electric Latch Retraction 48" | 2396.18 | 2596.18 |
| M8800ER | Narrow Stile | 2384.82 | 2584.82 |
| M9900 VR ER | Fire Rated Rim Panic Vertical Rod 48" | 2639.75 | 2809.71 |

Exit Devices

EXIT ALARM



Door sign included, Bar sign optional



Rim Mount, Vertical Rod & Mortise

UL US LISTED ADA

| DEVICE SPECIFICATIONS | |
|-----------------------|--|
| EA | Exit Alarm, 9V battery powered |
| EB | Exit Alarm, 12-24V AC/DC input, 9V battery backup |
| For: | M9900 |
| | <ul style="list-style-type: none"> • 100 dB alarm; visual and audible On/Off status: Armed - green LED blinks every 4 seconds, Alarm mode - red LED, Bypass - no LED • Remote status output • 15 or 60 second arming delay • 2 modes: Continuous alarm with manual key reset; Automatic re-arm 2 minutes after door closes with any manual key reset before 2 minutes. |
| Options: | <ul style="list-style-type: none"> • Push pad sign • 6, 10 & 20 minutes alarm; 1 or 5 second re-arm delay • Remote access control, arm, disarm inputs • REX and latch status outputs |

| MARKS # | | DESCRIPTION | PRICE |
|-------------------|-------------------------------------|-------------|---------|
| HEAVY DUTY | | | |
| M9900EA | Exit Alarm 9VDC | | 2556.60 |
| M9900EB | Exit Alarm 9VDC w 12/24 AC/DC Input | | 2719.06 |

ELECTRIC DOGGING

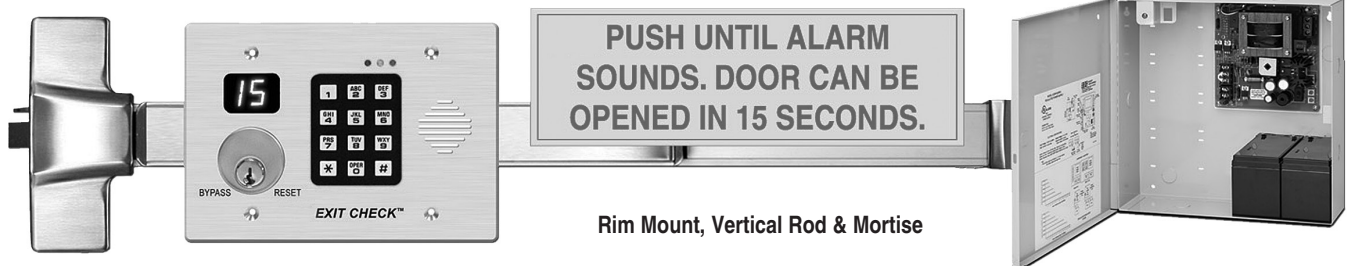


Rim Mount, Vertical Rod & Mortise

| DEVICE SPECIFICATIONS |
|--|
| <p>DG Electric Dogging (failsecure) M9900, When energized by optional built-in or remote switch manual, depressing the pushpad, causes the pushpad and latch to remain retracted (unlocked) providing push-pull door operation. When de-energized or signaled by a fire alarm, the pushpad and latch are released.</p> <p>Voltage: 170/100 mA @ 12/24VDC</p> <p>Monitoring Available: Latch status and REX output available</p> |

| MARKS # | DESCRIPTION | PRICE |
|---------------------------|-------------------------------|---------|
| HEAVY DUTY | | |
| M9900DG | Electric Dogging, Fail Secure | 2719.01 |
| Options for Parice | | |
| P6-Rex | Request to Exit | 62.00 |

DELAYED EGRESS



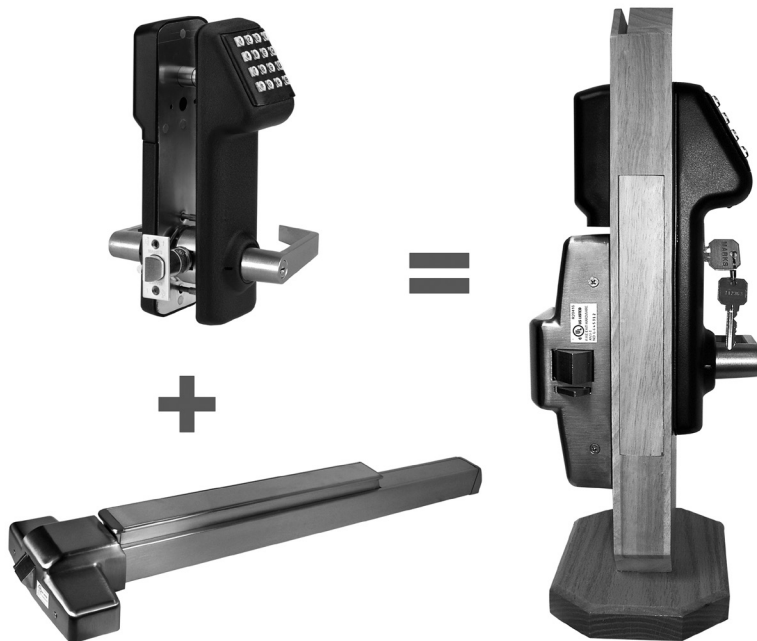
Rim Mount, Vertical Rod & Mortise

Exit Devices

| DEVICE SPECIFICATIONS |
|--|
| <p>DE Wall mount delayed egress controller with keypad and electrified exit device, M9900, M9900VR</p> <p>Example: M9900F/32D-DE</p> <p>DEK Keypad controller with redundant key switch capable of all keypad control features</p> <p>602RF 1 Amp power supply</p> <ul style="list-style-type: none"> User PIN codes may be assigned to 1, 2 or all control functions. Reset, sustained bypass and momentary bypass (RES) Audible alarm voice release time, warning or safety message Visual display countdown, locked/unlocked, egress executed 15 or 30 second exit delay, 1 or 2 second nuisance delay 2 minutes <p>Monitoring Available: Latch status available</p> |

| MARKS # | DESCRIPTION | PRICE |
|-------------------|----------------------------|---------|
| HEAVY DUTY | | |
| M9900DE | Delayed Egress | 6630.50 |
| M9900KDE | Delayed Egress w Keyswitch | 7097.88 |
| M9900VRDE | Delayed Egress | 6931.70 |
| M9900VRKDE | Delayed Egress w Keyswitch | 7366.00 |

M9900 LITE



Adapter plate included

| MARKS # | FUNCTION | PRICE |
|-----------|------------------------|---------|
| M9900LITE | Rim Panic with IQ7LITE | 1844.82 |

IQ7LITE

IQ7 LITE Rim Exit Device Interface Specifications

Door Thickness: 1-3/4" standard; For thicker doors, Consult factory

Handing: Non-handed

Key Override: 1-1/8" Mortise cylinder, 6 pin w/2 keys

Clutch: The "Clutch" for trouble free service

M9900

- **Doors:** 1-3/4" thick standard.
- **End cover:** Flush mounted beveled "Panic Protector" design.
- **Strike:** Roller strike.
- **Rail Assembly:** Extruded Aluminum, 32D finish.
- **Dead latch Bolt:** Stainless Steel 3/4" throw.
- **Dead latch Bolt:** Stainless Steel 5/8".
- **Dogging feature:** Allen Key (M9900)
- **UL listed:** For "Panic Hardware" and Fire Rated Model 3 hour fire doors up to 38" x 86".
- **ANSI:** ANSI 156.3 (2001), requirements for Grade 1.
- **3 Hour Fire Rating**
- **Finish:** 32D

ARCHITECH™ SERIES NETWORK LOCKS

Ideal access control solution; elegantly blending advanced wireless access control convenience within any decor, in attractive, infinitely customizable designer locking form, in choice of trims and finishes.



N90L - Ideal for School and Campus



Back

Features

- 5000 Users, 500 Scheduled Events & 40,000 Event Audit Trail
- Surface-Mount or Mortised - in Electronics and Battery Pack
- Lock available in Mortise and Cylindrical versions
- Real Time Clock - Uses 4 AA Batteries – 3 to 4 year battery life
- Operated via access card, fob, key fob etc
- DL-Windows Software for programming
- USB Radio Key Programming Method or Via Networkx Gateways
- Manual Card Enrollment Option for Quick Installation
- Wireless programming range: up to 20 ft. from lock
- Easily, securely networked via 802.11 or ethernet, spanning a few or thousands of doors, in one building, a campus or multiple sites in an enterprise (also available in standalone model)
- Emergency LocDown Keyfobs & Flashing Strobe Indicator, Available
- Programmable Lockdown/Unlock Privileges
- Cylindrical ArchiTech Locks neatly, quickly retrofit any standard door lock, with easy surface mount electronics, for use in all applications - Including wood and metal doors, for new and existing applications
- Customizable oval or square Access ID Reader, in black or silver and three levers to choose from - American 195, Crescent 295 & Titan 495
- Future-Proof Multi-Technology Access ID Credentials Replace Cumbersome Keys – HID® Prox, Mag Stripe, Smart Cards, PIV, keyfobs and remote buttons
- Powered by 4 off-the-shelf AA Batteries. 3 to 4 years, typ.
- Flexible System Monitoring, Control & Programming – Program locally using a USB Gateway or remotely across a wireless network (using free Alarm Lock DL-WINDOWS Windows- based software). Or, in Real-Time Enterprise platforms, using either Continental Access CA4K®, Lenel® OnGuard® or support via Software House® Connected Partner Program®

Specifications

- ANSI / BHMA Grade 1 Certified, UL Listed 3 Hours
- Includes standard lever rose hardware design
- Compatible with all 300+ optional architectural trim / lever or knob designs
- Stainless steel latch, 2-3/4" backset
- Auto-Reverse lock body tested to 6 million cycles
- Lock Body - Self cleaning long life motor
- Door closure monitor / electronic deadbolt monitor
- Key override standard or high-Security
- Optional integrated door position indicator switch

ARCHITECH™ SERIES NETWORK LOCKS

ArchiTech Series Cylindrical Locks

| PRODUCT | PRICE |
|--------------------|----------------|
| Cylindrical | |
| N90S1195F26D | 2259.53 |
| N90S2195F26D | 2259.53 |

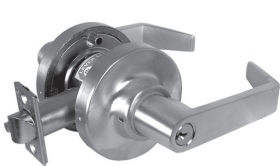
The standard list price of a standard ArchiTech Cylindrical Lock is \$880 (American Lever, SCI Keyway) – Add \$100 ea. for iClass, or Bluetooth® Add \$50 for keying

| N90L - IDEAL FOR SCHOOL & CAMPUS | PRICE |
|----------------------------------|----------------|
| Cylindrical | |
| N90L1195F226D | 2387.91 |
| N90L2195F226D | 2387.91 |
| N90P7195F26D | 2387.91 |

ArchiTech Cylindrical Lever & Lever Prep Options

| OPTIONS | CODE | 195 | 295 | 495 | FINISH | ADD-ON |
|--------------------------|------|-----|-----|-----|----------|-----------|
| Yale Conventional | F7 | Yes | No | No | 26D, 10B | 30 |
| Sargent Conventional | F8 | Yes | Yes | No | 26D, 10B | 30 |
| Corbin Conventional | F9 | Yes | Yes | No | 26D, 10B | 30 |
| Corbin 6-Pin IC | F12 | Yes | Yes | No | 26D, 10B | 30 |
| Corbin 7-Pin IC | F12 | Yes | Yes | No | 26D, 10B | 30 |
| Yale 6-Pin IC | F14 | Yes | Yes | No | 26D, 10B | 30 |
| Yale 7-Pin IC | F15 | Yes | Yes | No | 26D, 10B | 30 |
| Schlage 6-Pin IC | F19 | Yes | Yes | No | 26D, 10B | 30 |
| Sargent IC | F20 | Yes | Yes | No | 26D, 10B | 30 |
| Medeco IC (Large Format) | F21 | Yes | Yes | No | 26D, 10B | 30 |

Choice of Levers – Cylindrical Models



195 – American Lever



295 – Crescent Lever



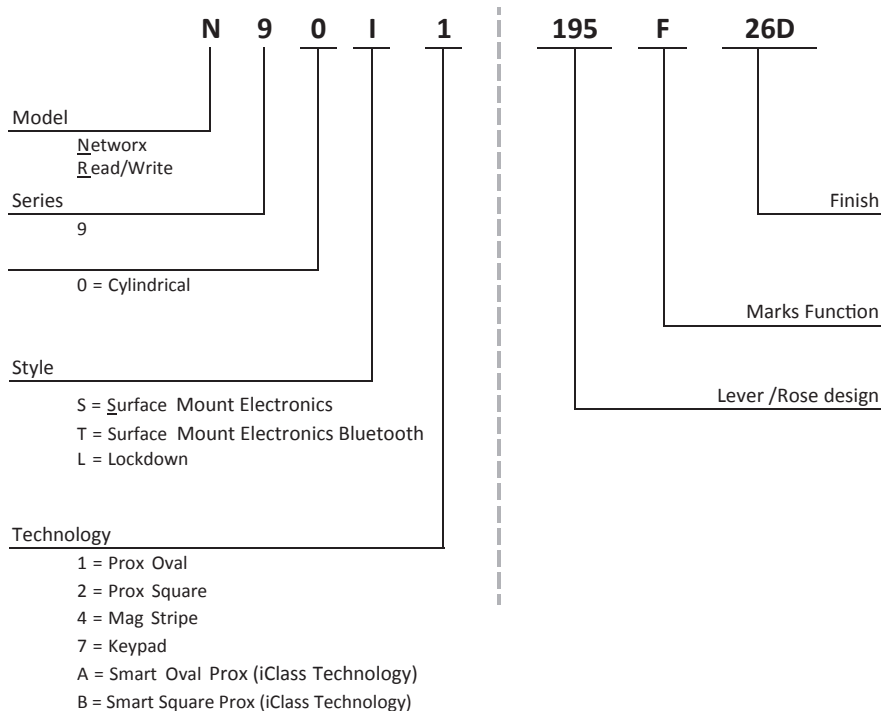
495 – Titan Lever

No up-charge for Marks (Best) SFIC. Specify "RF" for SFIC

*Note: Please consult factory for availability of other finishes. Round rose place only available with cylindrical version (3.5" diameter). IC core models: tail piece included, core not included.

How to order ArchiTech Cylindrical Models

Base distribution cylindrical model P/N scheme



ArchiTech Series Network Locks

ARCHITECH™ SERIES NETWORKX LOCKS

ArchiTech Series Mortise Locks



Infinite custom models available for ArchiTech mortise versions. Consult factory for ordering assistance.

ArchiTech Mortise Lockset Options

| OPTIONS |
|--|
| Insert (N91) or Surface Mount (N95) Electronics |
| Oval, Square or Mag Reader |
| Bluetooth and iClass Available |
| Choice of lever and rose plate |
| N95S – Surface Mount Electronics; oval, square & swipe (mag) reader available |
| N95I – Insert electronics; oval & square reader available |
| N95J – Insert electronics; Bluetooth, oval & square reader available |
| N95T – Surface Mount Electronics; Bluetooth, oval, square & swipe (mag) reader available |

| PRODUCT | PRICE |
|----------------|----------------|
| Mortise | |
| N95S2RX92FD26D | 2824.41 |
| N95S1RW92FD26D | 2824.41 |

Lever and Rose Options – Mortise Models

| LEVERS | Stanhope Lever 44 | Copa Lever 031 | Brompton Lever 55 | Monaco Lever 57 Specify handing | ROSES | RR: 2-9/16" dia. | |
|--------|------------------------------------|-------------------|-------------------|------------------------------------|-------|------------------|------------------|
| | | | | | | | RW: 2-9/16" dia. |
| | Towne Lever 72 | Maxwell Lever 77 | Omni Lever 78 | Plaza Lever 82 Specify handing | | | RQ: 2-1/4" dia. |
| | | | | | | | RS: 2-1/4" dia. |
| | Dayton Lever 83 Specify handing | Crescent Lever 86 | American Lever 92 | Titan Lever 96 | | | |
| | | | | | | | |

No up-charge for Marks (Best) SFIC. Specify "RF" for SFIC
 *Note: Please consult factory for availability of other finishes. Round rose plate only available with cylindrical version (3.5" diameter). IC core models: tail piece included, core not included.

| | | |
|----------------|----------------|----------------|
| RX: 2-1/2" sq. | RK: 2-1/2" sq. | RL: 1-1/2" sq. |
| | | |

ArchiTech Series NetworkX Locks

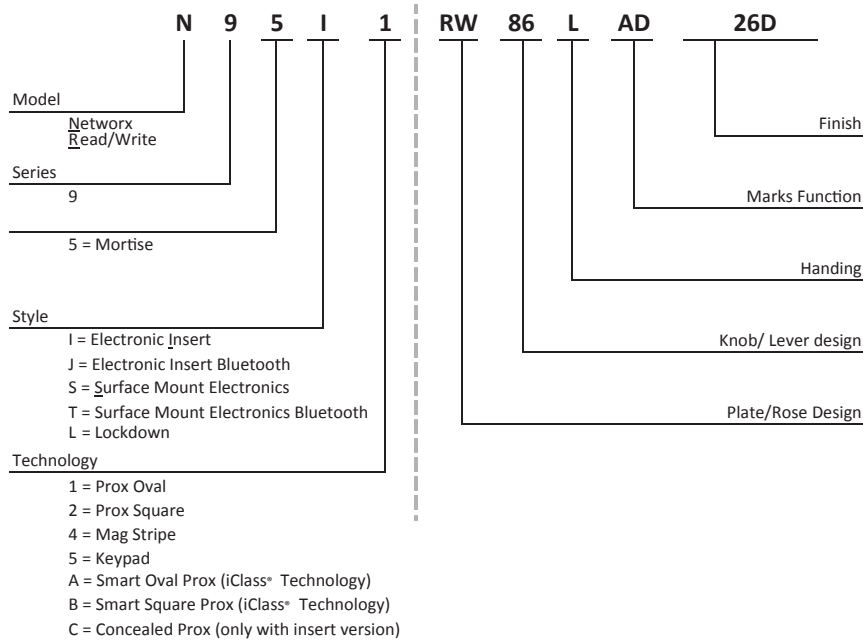
Functions for Mortise Locks

| CODE | FUNCTION | DESCRIPTION |
|------|--------------------|--|
| FD | APARTMENT | Latch by lever either side except when outside locked by stop-button or projected deadbolt. Latch deadlocked by auxiliary latch or deadbolt & latch by key outside. Deadbolt by turn piece inside. Inside knob/lever retracts latch & deadbolt simultaneously, leaving outside locked. |
| E | STOREROOM | Latch by lever inside, key outside. Outside lever always rigid. Auxiliary latch deadlocks latch. Inside always open. |
| AD | AUTOMATIC DEADBOLT | Latch deadlocked by deadbolt automatically when door closes. Deadbolt & latch by key or redential outside. Inside lever retracts latch & deadbolt simultaneously, leaving outside locked. |

ARCHITECH™ SERIES NETWORK LOCKS

How to order ArchiTech Mortise Models

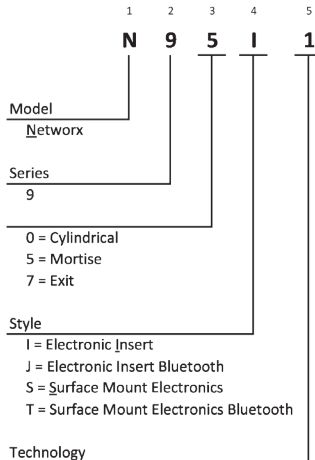
Base distribution cylindrical model P/N scheme



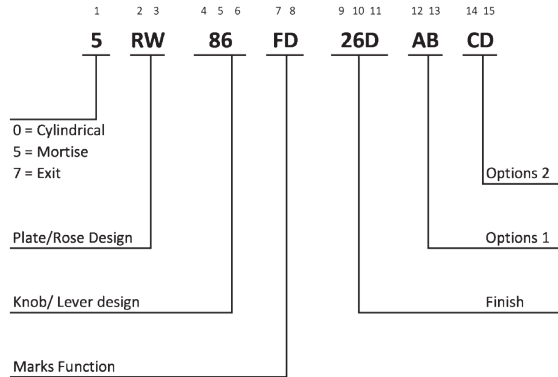
ArchiTech Series
Network Locks

SPECIAL ORDER

SPECIAL ORDER ELECTRONIC ASSEMBLY



SPECIAL ORDER MECHANICAL ASSEMBLY



- 1 = Prox Oval
- 2 = Prox Square
- 3 = Mag Stripe Oval
- 4 = Mag Stripe Square
- 5 = Keypad Oval
- 6 = Keypad Square
- 7 = Keypad Prox Oval
- 8 = Keypad Prox Square
- 9 = Keypad Mag Stripe Oval
- 0 = Keypad Mag Stripe Square
- A = Smart Oval (iClass® Technology)
- B = Smart Square (iClass® Technology)
- C = Concealed Prox

ARCHITECH™ SERIES NETWORKX LOCKS

ArchiTech™ Series Networkx Locks Parts and Accessories

| PRODUCT | DESCRIPTION | PRICE |
|--------------|--|---------|
| AL-IME2EXP | Wireless Expander designed to expand the coverage area of version 2 gateways. AC power required. Up to 7 expanders per version 2 gateway | 641.91 |
| AL-IME2-PIE | Plug-in wireless expander, as above – Plugs into standard AC outlet | 641.91 |
| AL-PRE2 | Prox card enroller – HID and iClass | 1590.66 |
| AL-NSM | Networkx Signal Meter | 760.02 |
| AL-NSG | Networkx Signal Generator | 616.24 |
| AL-PB | ArchiTech Power Booster | 3327.67 |
| ALHID1326 | Proximity Access Cards 100 Per Box | 889.41 |
| ALHID1391 | MicroProx Tag 10 per box | 221.07 |
| AL-IM3-80211 | 3rd Generation Hardware/Wireless Gateway | 1219.63 |
| AL-IM3-POE | 3rd Generation Hardware/Wireless POE Gateway | 1476.40 |
| KH-36-10 | Napco Branded Keyfob 10 pack | 73.54 |

Use the iLock® App to unlock your Networkx ArchiTech™ Bluetooth® Series Door Lock in seconds!



Introducing iLock, the easy smartphone mobile solution for unlocking your Trilogy® ArchiTech Bluetooth Series Designer Access Control Locks from any smart device without the need to carry cumbersome ID cards or keys. Password protected access is secure through the use of Bluetooth LE® and proprietary encryption. Additionally, an optional feature can be utilized, requiring a password for each unlock request.

The Key is Your Smartphone & More Secure Technology

Any Smart Device can be the Access Key: Much more than an ID card displayed on your smartphone, for your security, ArchiTech & its iLock App are



entered on their phone App.

wirelessly linked together, each supplying its portion of stored encrypted data to provide secure access without a key, fuss or worry, ensuring user identities. A unique combination of convenience and cloneproof peace of mind, the ArchiTech platform uses universally-compatible Bluetooth LE technology, so they can use any smart device to unlock ArchiTech on your door(s); and do so from afar, at a comfortable, customizable range of up to 30 feet away. For even greater security users can add an optional passcode,

ArchiTech Series Networkx Locks

iLock App is available from both iTunes and the Google Play Store



M A R K S U S A

AMITYVILLE, N.Y. 11701

www.marksusa.com

DISTRIBUTED BY:

800-645-9445 • www.marksusa.com • sales@marksusa.com

Marks USA is a Division of NAPCO Security Technologies, Inc. (NASDAQ: NSSC) • NAPCO • Alarm Lock • Continental Access • Marks USA
ArchiTech, LifeSaver, Survivor, Hi-Security, iQwik, LocDown Thinline and Unilock are trademarks of Marks/NAPCO. Other trademarks listed are properties of their respective companies.